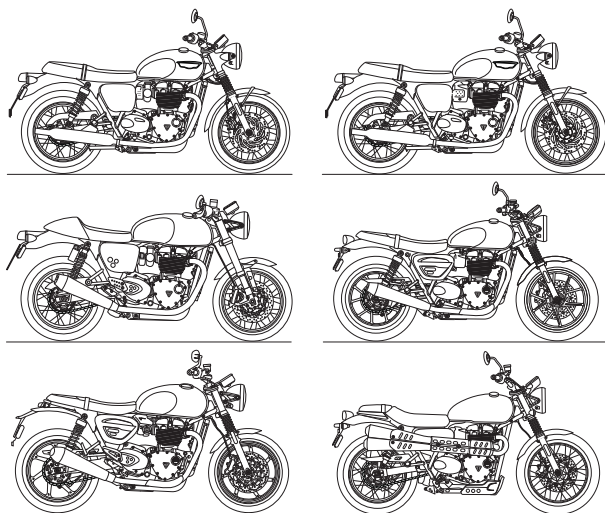




Owner's Handbook

Bonneville T100 (all models), Bonneville T120 (all models), Speed Twin, Street Scrambler (all models), Street Twin (all models) and Thruxton RS



This handbook contains information on the Triumph Bonneville T100 (all models), Bonneville T120 (all models), Speed Twin, Street Scrambler (all models), Street Twin (all models) and Thruxton RS motorcycles. Always store this Owner's Handbook with the motorcycle and refer to it for information whenever necessary.

The information contained in this publication is based on the latest information available at the time of printing. Triumph reserves the right to make changes at any time without prior notice, or obligation.

Not to be reproduced wholly or in part without the written permission of Triumph Motorcycles Limited.

© Copyright 08.2020 Triumph Motorcycles Limited, Hinckley, Leicestershire, England.

Publication part number 3850109-US-EN issue 1

Table of Contents

This handbook contains a number of different sections. The table of contents below will help you find the beginning of each section where, in the case of the major sections, a further table of contents will help you find the specific subject required.

Foreword.....	3
Safety First.....	7
Warning Label Locations.....	14
Parts Identification.....	16
Serial Numbers.....	29
General Information.....	31
How to Ride the Motorcycle.....	79
Accessories, Loading and Passengers.....	93
Maintenance and Adjustment.....	97
Cleaning and Storage.....	155
Specifications.....	167
Index.....	193
Approval Information.....	197

Foreword

Warnings, Cautions and Notes

Throughout this Owner's Handbook particularly important information is presented in the following form:

Warning

This warning symbol identifies special instructions or procedures, which if not correctly followed could result in personal injury, or loss of life.

Caution

This caution symbol identifies special instructions or procedures, which, if not strictly observed, could result in damage to, or destruction of, equipment.

Note

This note symbol indicates points of particular interest for more efficient and convenient operation.

Warning Labels



At certain areas of the motorcycle, the symbol (above) can be seen. The symbol means 'CAUTION: REFER TO THE HANDBOOK' and will be followed by a pictorial representation of the subject concerned.

Never attempt to ride the motorcycle or make any adjustments without reference to the relevant instructions contained in this handbook.

For the location of all labels showing this symbol, see the Warning Label Locations section. Where necessary, this symbol will also appear on the pages containing the relevant information.

Maintenance

To ensure a long, safe and trouble free life for your motorcycle, maintenance should only be carried out by an authorized Triumph dealer.

Only an authorized Triumph dealer will have the necessary knowledge, equipment and skills to maintain your Triumph motorcycle correctly.

To locate your nearest authorized Triumph dealer, visit the Triumph web site at www.triumph.co.uk or telephone the authorized distributor in your country. Their address is given in the service record book that accompanies this handbook.

Foreword

Noise Control System

Tampering with the noise control system is prohibited.

Owners are warned that the law may prohibit:

1. The removal or rendering inoperative by any person other than for purposes of maintenance, repair or replacement, of any device or element of design incorporated into any new vehicle for the purpose of noise control prior to its sale or delivery to the ultimate purchaser or while it is in use and,
2. the use of the vehicle after such device or element of design has been removed or rendered inoperative by any person.

Among those acts presumed to constitute tampering are the acts listed below:

- Removal of, or puncturing the muffler, baffles, header pipes or any other component which conducts exhaust gases.
- Removal of or puncturing of any part of the intake system.
- Lack of proper maintenance.
- Replacing any moving parts of the vehicle, or parts of the exhaust or intake system, with parts other than those specified by the manufacturer.

Owner's Handbook

Warning

This Owner's Handbook, and all other instructions that are supplied with your motorcycle, should be considered a permanent part of your motorcycle and should remain with it even if your motorcycle is subsequently sold.

All riders must read this Owner's Handbook and all other instructions which are supplied with your motorcycle, before riding, in order to become thoroughly familiar with the correct operation of your motorcycle's controls, its features, capabilities and limitations.

Do not lend your motorcycle to others as riding when not familiar with your motorcycle's controls, features, capabilities and limitations can lead to an accident.

Thank you for choosing a Triumph motorcycle. This motorcycle is the product of Triumph's use of proven engineering, exhaustive testing, and continuous striving for superior reliability, safety and performance.

Please read this Owner's Handbook before riding in order to become thoroughly familiar with the correct operation of your motorcycle's controls, its features, capabilities and limitations.

This Owner's Handbook includes safe riding tips, but does not contain all the techniques and skills necessary to ride a motorcycle safely.

Triumph strongly recommends that all riders undertake the necessary training to ensure safe operation of this motorcycle.

This Owner's Handbook is available from your local dealer in:

- English
- US English
- Arabic
- Chinese
- Dutch
- French
- German
- Italian
- Japanese
- Portuguese
- Spanish
- Swedish
- Thai
- Finnish (available online from www.triumphmotorcycles.com).

The languages available for this Owner's Handbook are dependent on the specific motorcycle model and country.

Talk to Triumph

Our relationship with you does not end with the purchase of your Triumph. Your feedback on the buying and ownership experience is very important in helping us develop our products and services for you.

Please help us by ensuring your authorized Triumph dealership has your email address and registers this with us. You will then receive an online customer satisfaction survey invitation to your email address where you can give us this feedback.

Your Triumph Team.

This page intentionally left blank

Safety First

The Motorcycle

All Models Except Street Scrambler and Street Scrambler Sandstorm

Warning

This motorcycle is designed for on-road use only. It is not suitable for off-road use.

Off-road operation could lead to loss of control of the motorcycle resulting in an accident causing injury or loss of life.

Street Scrambler and Street Scrambler Sandstorm Only

Warning

The motorcycles are designed for on-road and light off-road use. Light off-road use includes use on unpaved, dirt or gravel roads, but does not include riding on any motocross course, any off-road competition (such as motocross or enduro riding), or riding off-road with a passenger.

Light off-road use does not include jumping the motorcycle or riding over obstacles. Do not attempt to jump over any bumps or obstacles. Do not attempt to ride over any obstacles.

Extreme off-road use could lead to loss of motorcycle control and an accident.

All Models

Warning

This motorcycle is designed for use as a two-wheeled vehicle capable of carrying a rider on their own, or a rider and one passenger (subject to a passenger seat and footrests being installed).

The total weight of the rider, and any passenger, accessories and luggage must not exceed the maximum load limit stated in the relevant Specifications section.

Warning

This motorcycle is not designed to tow a trailer or be equipped with a sidecar. Installing a sidecar and/or a trailer may result in loss of control and an accident.

Warning

Riding the motorcycle off-road may result in loosening of the spokes.

Make sure that the spokes are checked before and after riding the motorcycle off-road. Tighten any loose spokes and check for wheel rim damage.

Spokes that are loose may affect handling and stability resulting in motorcycle damage, loss of motorcycle control and an accident.

Safety First

Warning

Check the wheel rims and spokes regularly for wear and damage.

Check spoke tension at all intervals listed in the maintenance schedule. Tighten any loose spokes.

Incorrectly tightened spokes may affect handling and stability resulting in motorcycle damage, loss of motorcycle control and an accident.

Fuel and Exhaust Fumes

Warning

GASOLINE IS HIGHLY FLAMMABLE:

Always turn off the engine when refueling.

Do not refuel or open the fuel filler cap while smoking or in the vicinity of any open (naked) flame.

Take care not to spill any gasoline on the engine, exhaust pipes or mufflers when refueling.

If gasoline is swallowed, inhaled or allowed to get into the eyes, seek immediate medical attention.

Spillage on the skin should be immediately washed off with soap and water and clothing contaminated with gasoline should immediately be removed.

Burns and other serious skin conditions may result from contact with gasoline.

Warning

Never start the engine or run the engine in a confined area.

Exhaust fumes are poisonous and can cause loss of consciousness and death within a short period of time.

Always operate the motorcycle in the open air or in an area with adequate ventilation.

Helmet and Clothing



Warning

When riding the motorcycle, both rider and passenger (on models where carrying a passenger is permitted) must always wear appropriate clothing including a motorcycle helmet, eye protection, gloves, boots, trousers (close fitting around the knee and ankle) and a brightly colored jacket.

During off-road use (on models suitable for off-road use), the rider must always wear appropriate clothing including trousers and boots.

Brightly colored clothing will considerably increase a rider's (or passenger's) visibility to other operators of road vehicles.

Although full protection is not possible, wearing correct protective clothing can reduce the risk of injury when riding.

Warning

A helmet is one of the most important pieces of riding gear as it offers protection against head injuries. You and your passenger's helmet should be carefully chosen and should fit you or your passenger's head comfortably and securely. A brightly colored helmet will increase a rider's (or passenger's) visibility to other operators of road vehicles.

An open face helmet offers some protection in an accident though a full face helmet will offer more.

Always wear a visor or approved goggles to help vision and to protect your eyes.

When choosing a helmet, always look for a DOT (Department of Transport) sticker indicating that the helmet has DOT approval. Do not buy a helmet without DOT approval.

Safety First

Parking

Warning

Always switch off the engine and remove the ignition key before leaving the motorcycle unattended. By removing the key, the risk of use of the motorcycle by unauthorized or untrained persons is reduced.

When parking the motorcycle, always remember the following:

- Engage first gear to help prevent the motorcycle from rolling off the stand.
- The engine and exhaust system will be hot after riding. DO NOT park where pedestrians, animals and/or children are likely to touch the motorcycle.
- Do not park on soft ground or on a steeply inclined surface. Parking under these conditions may cause the motorcycle to fall over.

For further details, please refer to the 'How to Ride the Motorcycle' section of this Owner's Handbook.

Parts and Accessories

Warning

Owners should be aware that the only approved parts, accessories and conversions for any Triumph motorcycle are those which carry official Triumph approval and are installed to the motorcycle by an authorized dealer.

In particular, it is extremely hazardous to install or replace parts or accessories whose installation requires the dismantling of, or addition to, either the electrical or fuel systems and any such modification could cause a safety hazard.

The installation of any non-approved parts, accessories or conversions may adversely affect the handling, stability or other aspect of the motorcycle operation that may result in an accident causing injury or death.

Triumph does not accept any liability whatsoever for defects caused by the installation of non-approved parts, accessories or conversions or the installation of any approved parts, accessories or conversions by non-approved personnel.

Maintenance and Equipment

Warning

Consult your authorized Triumph dealer whenever there is doubt as to the correct or safe operation of this Triumph motorcycle.

Remember that continued operation of an incorrectly performing motorcycle may aggravate a fault and may also compromise safety.

Warning

Make sure all equipment that is required by law is installed and functioning correctly.

The removal or alteration of the motorcycle's lights, mufflers, emission or noise control systems can violate the law.

Incorrect or improper modification may adversely affect the handling, stability or other aspect of the motorcycle operation, which may result in an accident causing injury or death.

Warning

If the motorcycle is involved in an accident, collision or fall, it must be taken to an authorized Triumph dealer for inspection and repair.

Any accident can cause damage to the motorcycle that, if not correctly repaired, may cause a second accident that may result in injury or death.

Riding

Warning

Never ride the motorcycle when fatigued or under the influence of alcohol or other drugs.

Riding when under the influence of alcohol or other drugs is illegal.

Riding when fatigued or under the influence of alcohol or other drugs reduces the rider's ability to maintain control of the motorcycle and may lead to loss of control and an accident.

Warning

All riders must be licensed to operate the motorcycle.

Operation of the motorcycle without a license is illegal and could lead to prosecution.

Operation of the motorcycle without formal training in the correct riding techniques that are necessary to become licensed is dangerous and may lead to loss of motorcycle control and an accident.

Warning

Always ride defensively and wear the protective equipment mentioned elsewhere in this foreword.

Remember, in an accident, a motorcycle does not give the same impact protection as a car.

Safety First

Warning

This Triumph motorcycle should be operated within the legal speed limits for the particular road traveled.

Operating a motorcycle at high speeds can be potentially dangerous since the time available to react to given traffic situations is greatly reduced as road speed increases.

Always reduce speed in potentially hazardous driving conditions such as bad weather or heavy traffic.

Warning

Continually observe and react to changes in road surface, traffic and wind conditions. All two-wheeled vehicles are subject to external forces which may cause an accident. These forces include but are not limited to:

- Wind draft from passing vehicles
- Potholes, uneven or damaged road surfaces
- Bad weather
- Rider error.

Always operate the motorcycle at moderate speed and away from heavy traffic until you have become thoroughly familiar with its handling and operating characteristics. Never exceed the legal speed limit.

Wobble/Weave

A weave is a relatively slow oscillation of the rear of the motorcycle, while a wobble is a rapid, possibly strong shaking of the handlebar. These are related but distinct stability problems usually caused by excessive weight in the wrong place, or by a mechanical problem such as worn or loose bearings or under-inflated or unevenly worn tires.

Your solution to both situations is the same. Keep a firm hold on the handlebars without locking arms or fighting the steering. Smoothly ease off the throttle to slow gradually. Do not apply the brakes, and do not accelerate to try to stop the wobble or weave. In some cases, it helps to shift your body weight forward by leaning over the tank.

Copyright © 2005 Motorcycle Safety Foundation. All rights reserved. Used with permission.

Handlebars and Footrests

Warning

The rider must maintain control of the motorcycle by keeping hands on the handlebars at all times.

The handling and stability of a motorcycle will be adversely affected if the rider removes their hands from the handlebars, resulting in loss of motorcycle control and an accident.

Warning

The rider and passenger (if applicable) must always use the footrests provided, during operation of the motorcycle.

By using the footrests, both rider and passenger will reduce the risk of inadvertent contact with any motorcycle components and will also reduce the risk of injury from entrapment of clothing.

Warning

Use of a motorcycle with bank angle indicators worn beyond the maximum limit will allow the motorcycle to be banked to an unsafe angle. Therefore, always replace the bank angle indicators before they are worn to their maximum limit.

Banking to an unsafe angle may cause instability, loss of motorcycle control and an accident.

Details of the bank angle wear limits can be found in the Maintenance and Adjustment section.

Warning

The bank angle indicators must not be used as a guide to how far the motorcycle may be safely banked.

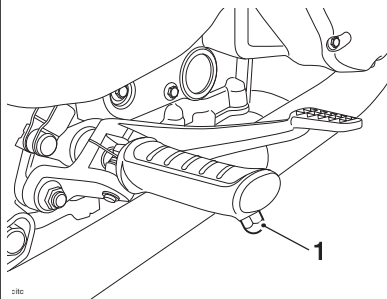
This depends on many various conditions including, but not limited to, road surface, tire condition and weather.

Banking to an unsafe angle may cause instability, loss of motorcycle control and an accident.

Warning

When banking and the bank angle indicator, attached to the rider's footrest, makes contact with the ground, the motorcycle is nearing its bank angle limit. A further increase of the banking angle is unsafe.

Banking to an unsafe angle may cause instability, loss of motorcycle control and an accident.

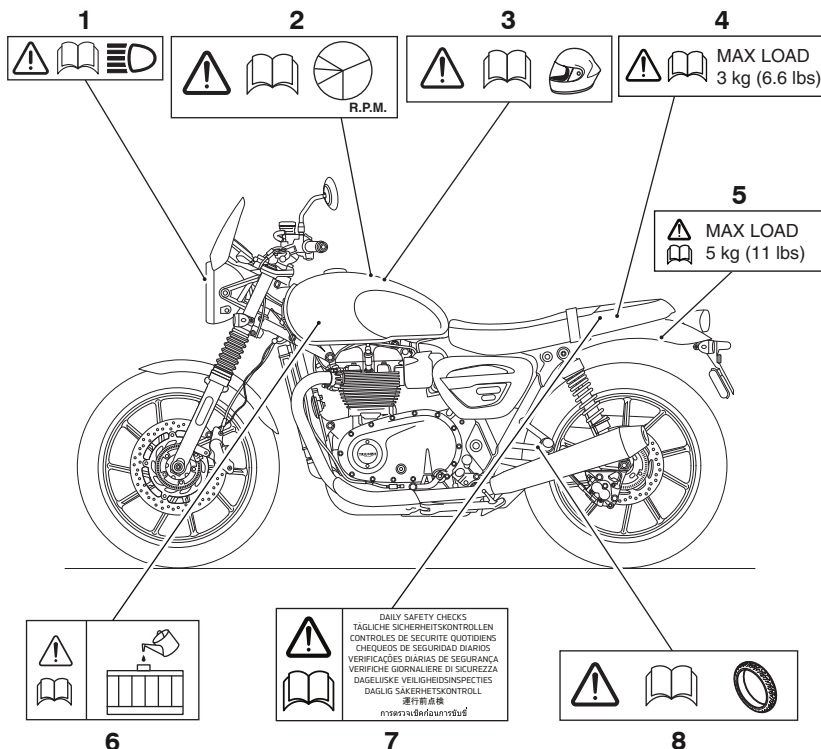


1. Bank angle indicator

Warning Label Locations

Warning Label Locations

The labels detailed on this and the following pages draw your attention to important safety information in this handbook. Before riding, make sure that all riders have understood and complied with all the information to which these labels relate.



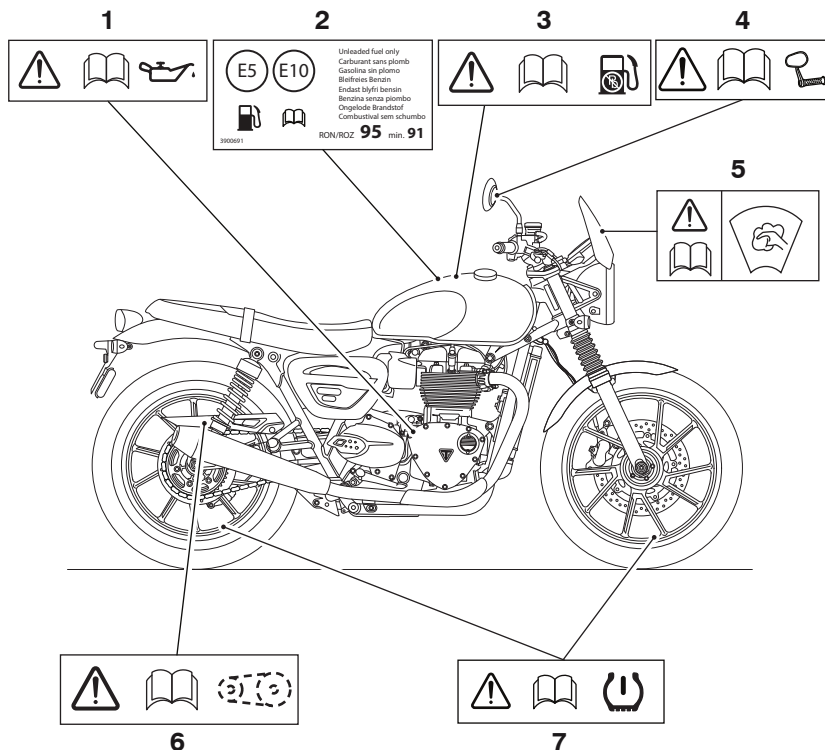
1. Headlight (page 148)
2. Breaking-In (page 76)
3. Helmet (page 9)
4. Luggage Rack (if equipped)
5. Panniers (if equipped) (page 93)
6. Coolant (page 107)
7. Daily Safety Checks (page 77)
8. Tires (page 136)

Warning Label Locations

Warning Label Locations (continued)

⚠ Caution

All warning labels and decals, with the exception of the Breaking-in label, are mounted on the motorcycle using a strong adhesive. In some cases, labels are installed prior to an application of paint lacquer. Therefore, any attempt to remove the warning labels will cause damage to the paintwork or bodywork.



1. Engine Oil (page 103)
2. E5 and E10 Fuel (if equipped) (page 64)
3. Unleaded Fuel (page 64)
4. Mirrors (page 126)

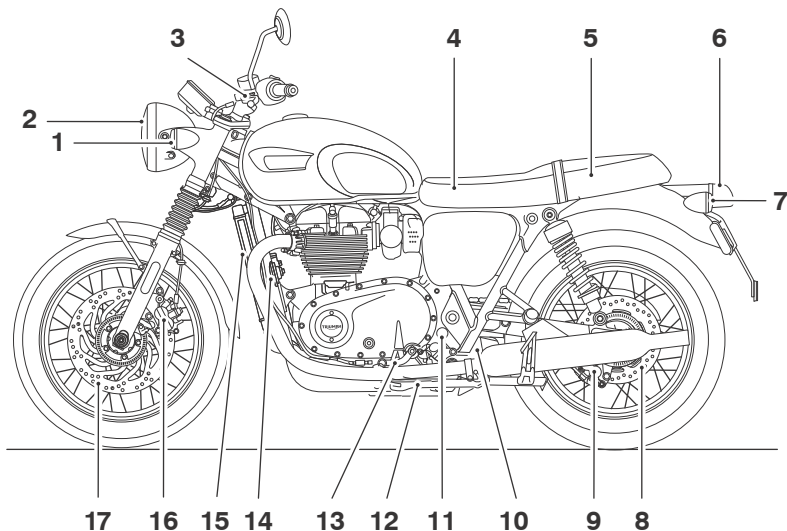
5. Windshield (if equipped) (page 162)
6. Drive Chain (page 113)
7. Tire Pressure Monitoring System (if equipped) (page 54)

Parts Identification

Parts Identification

Bonneville T100 (all models) and Bonneville T120 (all models)

(Bonneville T120 shown)

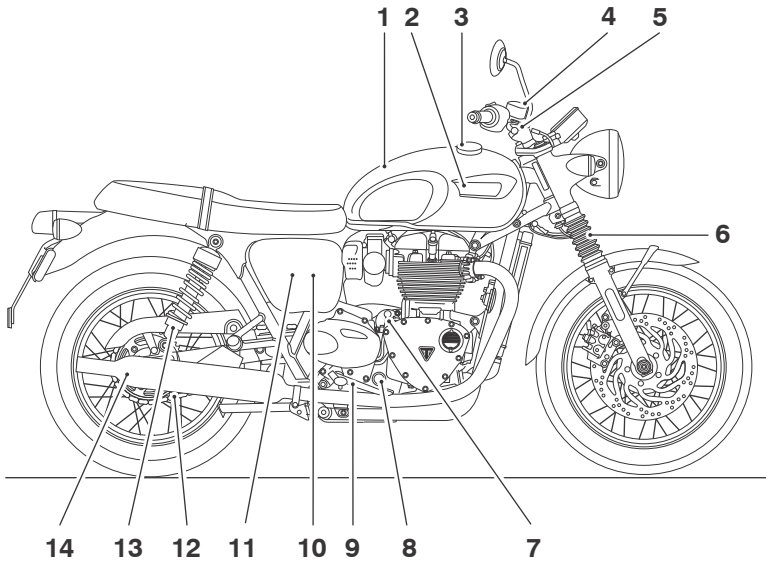


- | | |
|---|--------------------------------|
| 1. Front turn signal | 9. Rear brake caliper |
| 2. Headlight | 10. Coolant expansion tank |
| 3. Clutch lever | 11. Coolant expansion tank cap |
| 4. Battery (under seat) | 12. Side stand |
| 5. Owner's Handbook (under seat) or supplied separately | 13. Gear shift pedal |
| 6. Brake/tail light | 14. Horn |
| 7. Rear turn signal | 15. Radiator |
| 8. Rear brake disc | 16. Front brake caliper |
| | 17. Front brake disc |

Parts Identification - Continued

Bonneville T100 (all models) and Bonneville T120 (all models)

(Bonneville T120 shown)

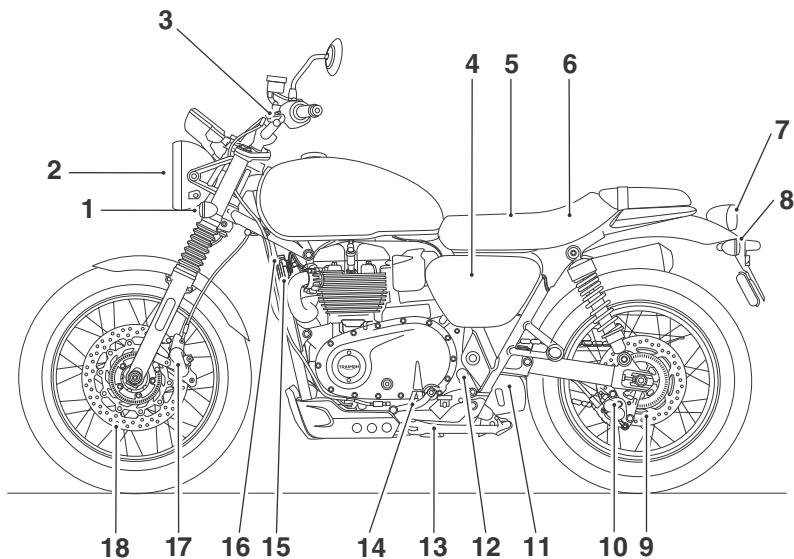


- | | |
|---|--|
| 1. Fuel tank | 9. Rear brake pedal |
| 2. Coolant pressure cap (under fuel tank) | 10. Rear brake fluid reservoir (behind side panel) |
| 3. Fuel filler cap | 11. Adjustment tool (behind side panel) |
| 4. Front brake fluid reservoir | 12. Drive chain |
| 5. Front brake lever | 13. Rear suspension unit |
| 6. Front fork | 14. Muffler |
| 7. Oil filler plug | |
| 8. Oil level sight glass | |

Parts Identification

Parts Identification

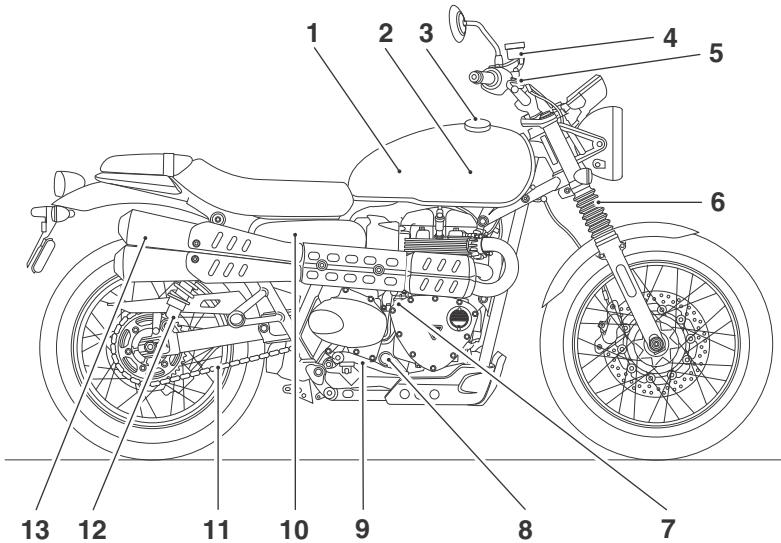
Street Scrambler and Street Scrambler Sandstorm



- | | |
|--|--------------------------------|
| 1. Front turn signal | 10. Rear brake caliper |
| 2. Headlight | 11. Coolant expansion tank |
| 3. Clutch lever | 12. Coolant expansion tank cap |
| 4. Adjustment tool (behind side panel) | 13. Side stand |
| 5. Battery (under seat) | 14. Gear shift pedal |
| 6. Owner's Handbook (under seat) | 15. Horn |
| 7. Brake/tail light | 16. Radiator |
| 8. Rear turn signal | 17. Front brake caliper |
| 9. Rear brake disc | 18. Front brake disc |

Parts Identification - Continued

Street Scrambler and Street Scrambler Sandstorm

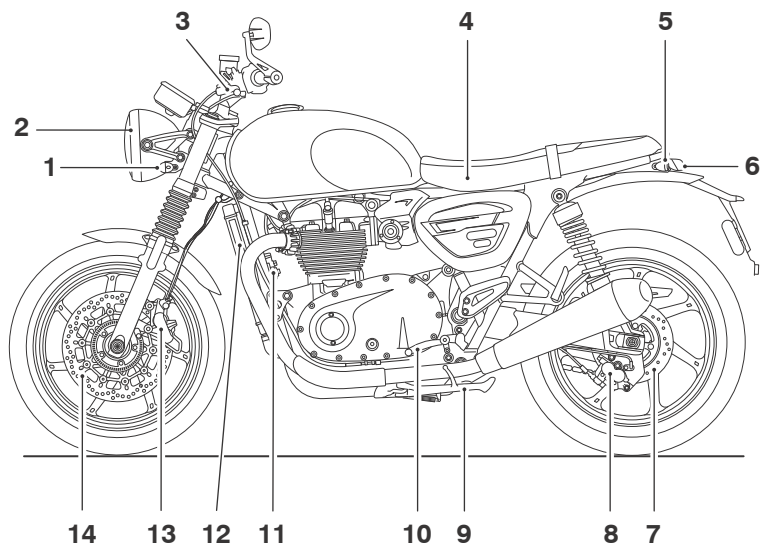


- | | |
|---|--|
| 1. Fuel tank | 8. Oil level sight glass |
| 2. Coolant pressure cap (under fuel tank) | 9. Rear brake pedal |
| 3. Fuel filler cap | 10. Rear brake fluid reservoir (behind side panel) |
| 4. Front brake fluid reservoir | 11. Drive chain |
| 5. Front brake lever | 12. Rear suspension unit |
| 6. Front fork | 13. Muffler |
| 7. Oil filler plug | |

Parts Identification

Parts Identification

Speed Twin



1. Front turn signal

2. Headlight

3. Clutch lever

4. Battery (under seat)

5. Rear turn signal

6. Brake/tail light

7. Rear brake disc

8. Rear brake caliper

9. Side stand

10. Gear shift pedal

11. Horn

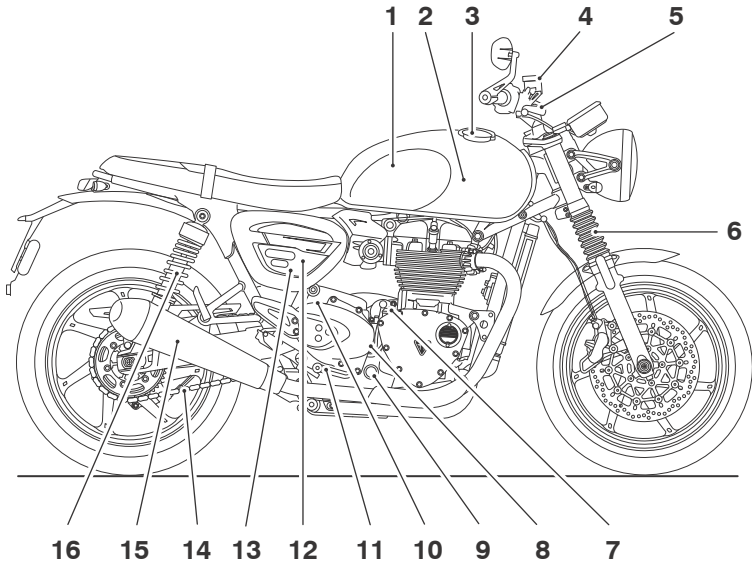
12. Radiator

13. Front brake caliper

14. Front brake disc

Parts Identification - Continued

Speed Twin

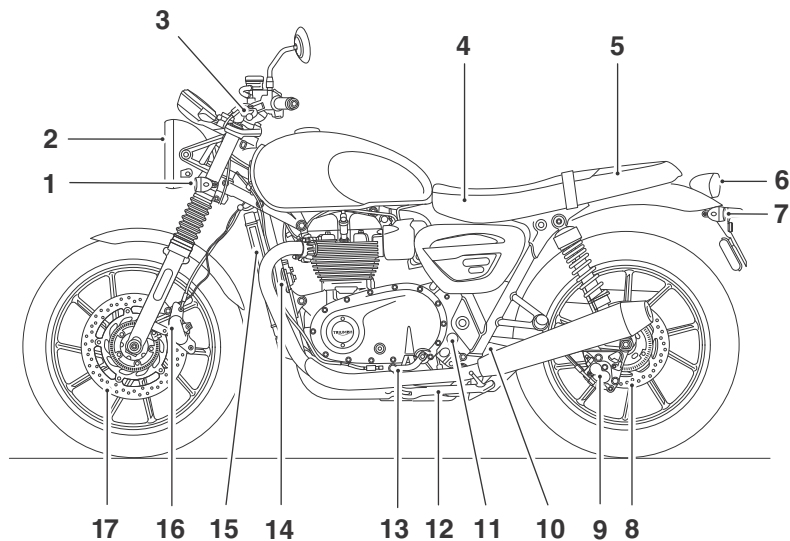


- | | |
|---|--|
| 1. Fuel tank | 10. Coolant expansion tank cap |
| 2. Coolant pressure cap (under fuel tank) | 11. Rear brake pedal |
| 3. Fuel filler cap | 12. Rear brake fluid reservoir (behind side panel) |
| 4. Front brake fluid reservoir | 13. Adjustment tool (behind side panel) |
| 5. Front brake lever | 14. Drive chain |
| 6. Front fork | 15. Muffler |
| 7. Oil filler plug | 16. Rear suspension unit |
| 8. Coolant expansion tank | |
| 9. Oil level sight glass | |

Parts Identification

Parts Identification

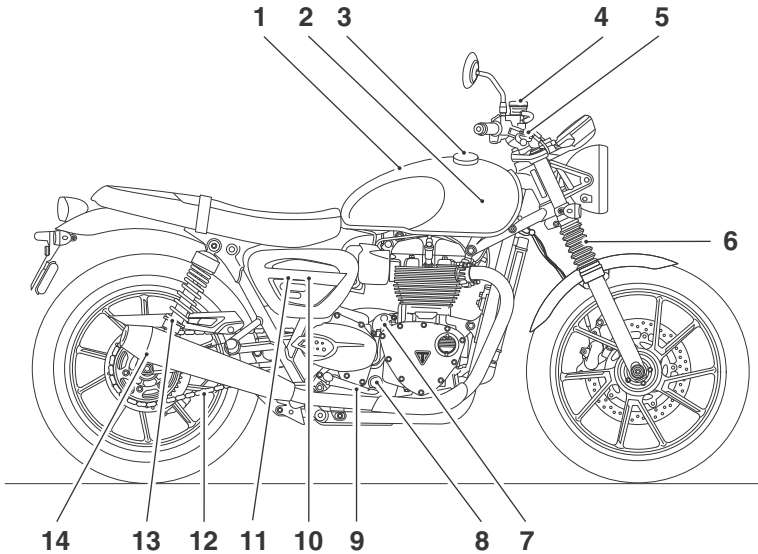
Street Twin and Street Twin Goldline



- | | |
|----------------------------------|--------------------------------|
| 1. Front turn signal | 10. Coolant expansion tank |
| 2. Headlight | 11. Coolant expansion tank cap |
| 3. Clutch lever | 12. Side stand |
| 4. Battery (under seat) | 13. Gear shift pedal |
| 5. Owner's Handbook (under seat) | 14. Horn |
| 6. Brake/tail light | 15. Radiator |
| 7. Rear turn signal | 16. Front brake caliper |
| 8. Rear brake disc | 17. Front brake disc |
| 9. Rear brake caliper | |

Parts Identification - Continued

Street Twin and Street Twin Goldline

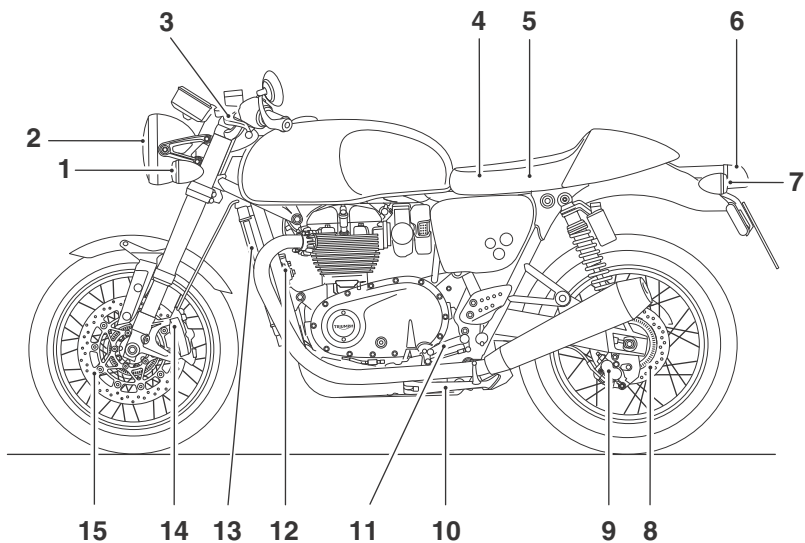


- | | |
|---|--|
| 1. Fuel tank | 9. Rear brake pedal |
| 2. Coolant pressure cap (under fuel tank) | 10. Rear brake fluid reservoir (behind side panel) |
| 3. Fuel filler cap | 11. Adjustment tool (behind side panel) |
| 4. Front brake fluid reservoir | 12. Drive chain |
| 5. Front brake lever | 13. Rear suspension unit |
| 6. Front fork | 14. Muffler |
| 7. Oil filler plug | |
| 8. Oil level sight glass | |

Parts Identification

Parts Identification

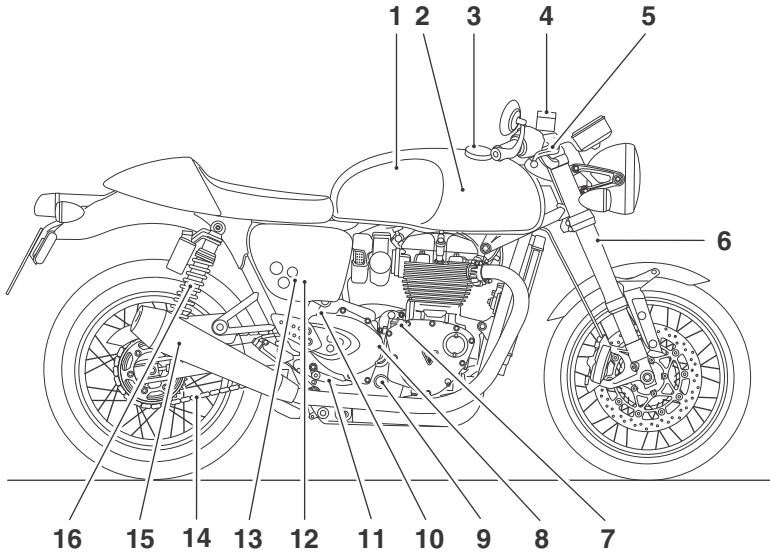
Thruxton RS



- | | |
|----------------------------------|-------------------------|
| 1. Front turn signal | 9. Rear brake caliper |
| 2. Headlight | 10. Side stand |
| 3. Clutch lever | 11. Gear shift pedal |
| 4. Battery (under seat) | 12. Horn |
| 5. Owner's Handbook (under seat) | 13. Radiator |
| 6. Brake/tail light | 14. Front brake caliper |
| 7. Rear turn signal | 15. Front brake disc |
| 8. Rear brake disc | |

Parts Identification - Continued

Thruxton RS

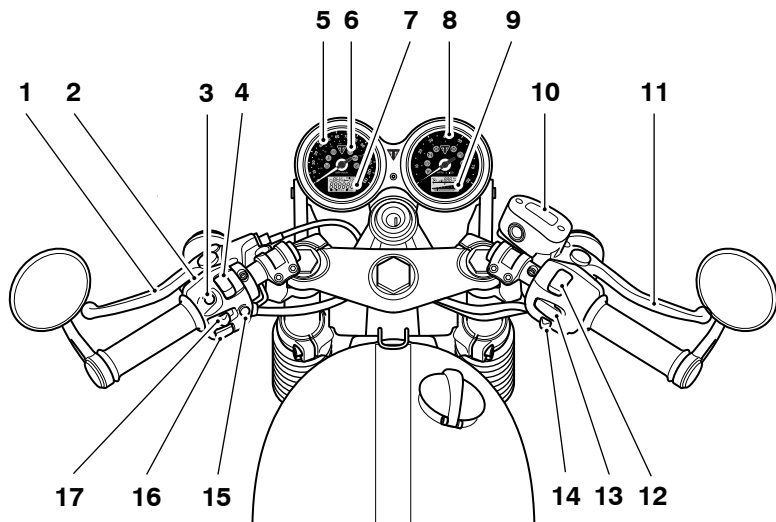


- | | |
|---|--|
| 1. Fuel tank | 10. Coolant expansion tank cap |
| 2. Coolant pressure cap (under fuel tank) | 11. Rear brake pedal |
| 3. Fuel filler cap | 12. Rear brake fluid reservoir (behind side panel) |
| 4. Front brake fluid reservoir | 13. Adjustment tool (behind side panel) |
| 5. Front brake lever | 14. Drive chain |
| 6. Front fork | 15. Muffler |
| 7. Oil filler plug | 16. Rear suspension unit |
| 8. Coolant expansion tank | |
| 9. Oil level sight glass | |

Parts Identification

Rider View Parts Identification

Bonneville T100 (all models), Bonneville T120 (all models), Speed Twin and Thruxton RS

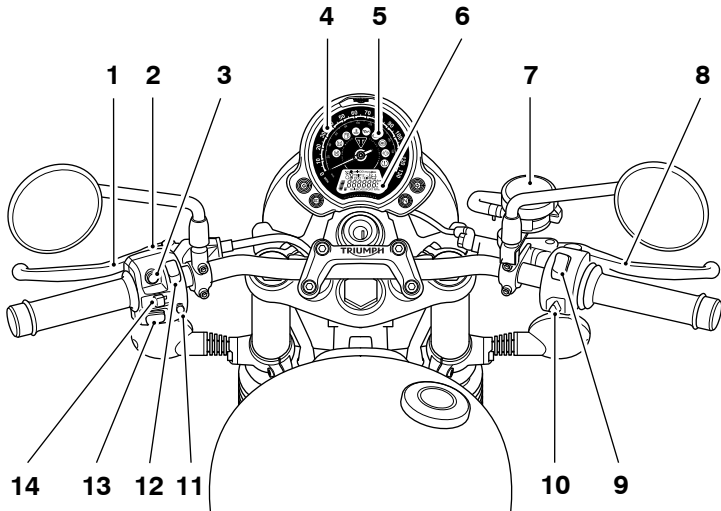


- | | |
|--|---|
| 1. Clutch lever | 10. Front brake fluid reservoir |
| 2. Headlight dimmer switch | 11. Front brake lever |
| 3. SCROLL button | 12. Engine start/stop switch |
| 4. Daytime Running Lights (DRL) switch (if equipped) | 13. MODE button (Bonneville T120 (all models) only) |
| 5. Speedometer | 14. Hazard button |
| 6. Warning lights | 15. MODE button (Speed Twin and Thruxton RS only) |
| 7. Trip computer/Odometer/Information display screen | 16. Horn button |
| 8. Tachometer | 17. Indicator switch |
| 9. Information display screen | |

Rider View Parts Identification

Street Scrambler, Street Scrambler Sandstorm, Street Twin and Street Twin Goldline

(Street Twin shown)



- | | |
|--|---|
| 1. Clutch lever | 9. Engine start/stop switch |
| 2. Headlight dimmer switch | 10. Hazard button |
| 3. SCROLL button | 11. MODE button |
| 4. Speedometer | 12. Daytime Running Lights (DRL) switch (if equipped) |
| 5. Warning lights | 13. Horn button |
| 6. Odometer/Information display screen | 14. Turn signal switch |
| 7. Front brake fluid reservoir | |
| 8. Front brake lever | |

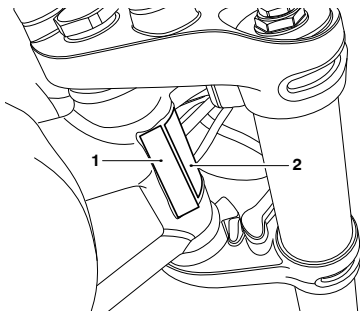
Parts Identification

This page intentionally left blank

Serial Numbers

Vehicle Identification Number (VIN)

The vehicle identification number is stamped into the steering head area of the frame. It is also shown on a label located next to it.

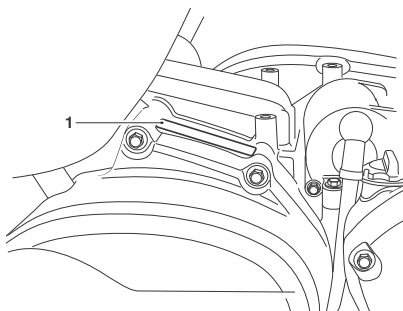


1. VIN stamp
2. VIN label

Record the vehicle identification number in the space provided below.

Engine Serial Number

The engine serial number is stamped on the upper engine crankcase, towards the rear, and is visible from the right hand side, behind the starter motor.



1. Engine serial number

Record the engine serial number in the space provided below.

This page intentionally left blank

General Information

Table of Contents

Instrument Panel Layout	34
Warning Lights	36
Engine Management System Malfunction Indicator Light (MIL)	36
Low Oil Pressure Warning Light	36
High Coolant Temperature Warning Light	36
Engine Immobilizer / Alarm Indicator Light	37
Anti-lock Braking System (ABS) Warning Light	37
Cruise Control Indicator Light	38
Traction Control (TC) Indicator Light	38
Traction Control (TC) Disabled Warning Light	39
Turn Signals	39
High Beam	39
Daytime Running Lights (DRL) (if equipped)	39
Neutral	39
Low Fuel Indicator Light	39
Tire Pressure Warning Light	40
General Warning Symbol	40
Instruments	41
Speedometer and Odometer	41
Tachometer	41
Gear Position Display	41
Fuel Gauge	42
Range to Empty	42
Average Fuel Consumption	43
Trip Meter	44
Clock	45
Riding Modes	46
Selecting a Riding Mode - with the Motorcycle Stationary	47
Selecting a Riding Mode - when Riding the Motorcycle	48
Cruise Control (if equipped)	49
Activating Cruise Control	50
Deactivating Cruise Control	50
Traction Control (TC)	51
Traction Control Settings	51
To Disable the Traction Control	52

General Information

ABS Disable and Enable - Street Scrambler Models Only.....	53
Tire Pressure Monitoring System (TPMS) (if equipped).....	54
Tire Pressure Sensor Serial Number.....	54
System Display.....	55
Sensor Batteries.....	55
Tire Pressures.....	56
Replacement Tires.....	56
Ignition Switch/Steering Lock.....	56
Engine Immobiliser.....	57
Ignition Key.....	57
Right Handlebar Switches.....	58
STOP Position.....	59
RUN Position.....	59
START Position.....	59
MODE Button (if equipped).....	59
Hazard Warning Lights Switch.....	59
Left Handlebar Switches.....	60
SCROLL Button.....	60
Daytime Running Lights (DRL) Switch (if equipped).....	60
Turn Signal Switch.....	61
Horn Button.....	61
Cruise Control Button (if equipped).....	61
MODE Button.....	61
High Beam Light.....	61
Throttle Control.....	62
Clutch Lever Adjusters.....	62
Brake Lever Adjusters.....	63
Fuel.....	64
Fuel Tank Cap.....	66
Filling the Fuel Tank.....	67
Side Stand.....	68
Center Stand (if equipped).....	69
Side Panels.....	69
Tool Kit and Owner's Handbook.....	71
Helmet Hook (if equipped).....	72

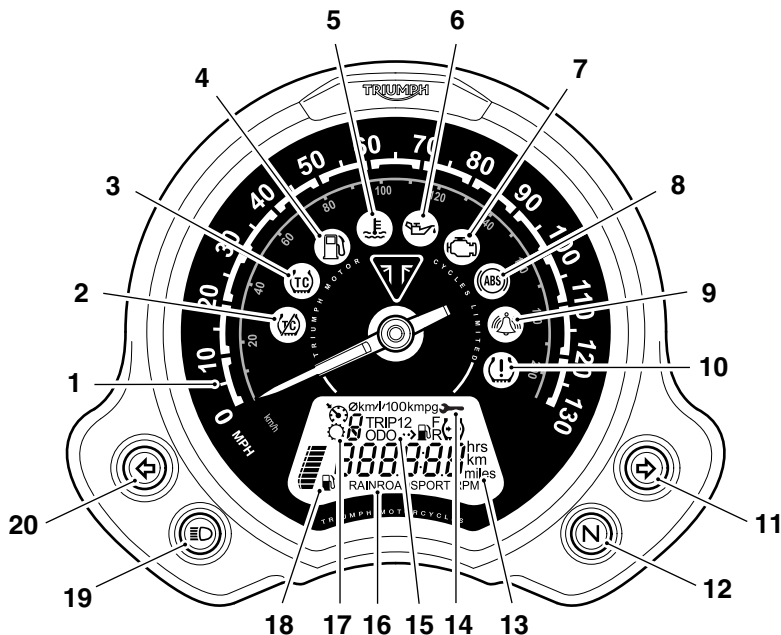
General Information

Seats	72
Seat Care	72
Seat Lock	73
Seat Removal and Installation	73
Street Scrambler Seat Removal	74
Street Scrambler Seat Installation	74
Universal Serial Bus (USB) Socket	75
Breaking-In	76
Daily Safety Checks	77

General Information

Instrument Panel Layout

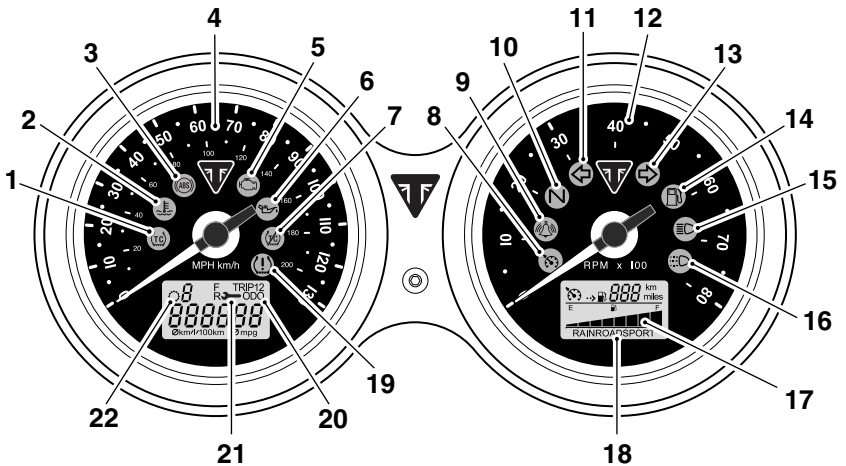
Street Scrambler, Street Scrambler Sandstorm, Street Twin and Street Twin Goldline
(Street Twin shown)



1. Speedometer
2. Traction Control (TC) disabled warning light
3. Traction Control (TC) indicator light
4. Low fuel level indicator light
5. High coolant temperature warning light
6. Low oil pressure warning light
7. Engine management Malfunction Indicator Light (MIL)
8. Anti-lock Brake System (ABS) warning light
9. Immobilizer/Alarm status indicator light (alarm is an accessory kit)
10. Tire pressure warning light (if equipped with Tire Pressure Monitoring System (TPMS))
11. Right hand turn signal light
12. Neutral indicator light
13. Tachometer
14. Service interval indicator
15. Odometer/Trip meter/Clock
16. Rider mode display
17. Gear position indicator
18. Fuel gage
19. High beam indicator light
20. Left hand turn signal light

Instrument Panel Layout

Bonneville T100 (all models), Bonneville T120 (all models), Speed Twin and Thruxton RS



1. Traction Control (TC) indicator light
2. High coolant temperature warning light
3. Anti-lock Brake System (ABS) warning light
4. Speedometer
5. Engine management Malfunction Indicator Light (MIL)
6. Low oil pressure warning light
7. Traction Control (TC) disabled warning light
8. Cruise control indicator light (if equipped)
9. Immobilizer/Alarm indicator light (alarm is an accessory kit)
10. Neutral indicator light
11. Left hand turn signal light
12. Tachometer
13. Right hand turn signal light
14. Low fuel level indicator light
15. High beam indicator light
16. Daytime Running Lights (DRL) indicator light (if equipped)
17. Rider mode display (if equipped)
18. Range to empty display
19. Tire pressure warning light (if equipped with Tire Pressure Monitoring System (TPMS))
20. Odometer/Trip computer
21. Service interval indicator
22. Gear position indicator

General Information

Warning Lights

Engine Management System Malfunction Indicator Light (MIL)



The Malfunction Indicator Light (MIL) for the engine management system illuminates when the ignition is switched ON (to indicate that it is working) but should not become illuminated when the engine is running.

If the engine is running and there is a fault with the engine management system the MIL will be illuminated and the general warning symbol will flash. In such circumstances, the engine management system may switch to 'limp-home' mode so that the journey may be completed, if the fault is not so severe that the engine will not run.

Warning

Reduce speed and do not continue to ride for longer than is necessary with the MIL illuminated. The fault may adversely affect engine performance, exhaust emissions and fuel consumption.

Reduced engine performance could cause a dangerous riding condition, leading to loss of control and an accident.

Contact an authorized Triumph dealer as soon as possible to have the fault checked and rectified.

Note

If the MIL flashes when the ignition is switched ON contact an authorized Triumph dealer as soon as possible to have the situation rectified. In these circumstances the engine will not start.

Low Oil Pressure Warning Light



With the engine running, if the engine oil pressure becomes dangerously low, the low oil pressure warning light will illuminate.

Caution

Stop the engine immediately if the low oil pressure warning light illuminates. Do not restart the engine until the fault has been rectified.

Severe engine damage will result from running the engine when the low oil pressure warning light is illuminated.

Note

The low oil pressure warning light will illuminate if the ignition is switched ON without running the engine.

High Coolant Temperature Warning Light



With the engine running, if the engine coolant temperature becomes dangerously high, the high coolant temperature warning light will illuminate.

Caution

Stop the engine immediately if the high coolant temperature warning light illuminates. Do not restart the engine until the fault has been rectified.

Severe engine damage will result from running the engine when the high coolant temperature warning light is illuminated.

Engine Immobilizer / Alarm Indicator Light



This Triumph motorcycle is equipped with an engine immobilizer which is activated when the ignition switch is turned to the OFF position.

Not Equipped With Alarm

When the ignition switch is turned to the OFF position, the engine immobilizer/alarm light will flash on and off for 24 hours to show that the engine immobilizer is on. When the ignition switch is turned to the ON position the engine immobilizer and the indicator light will be off.

If the indicator light remains on it indicates that the engine immobilizer has a malfunction that requires investigation. Contact an authorized Triumph dealer as soon as possible to have the fault checked and rectified.

Equipped With Alarm

The engine immobilizer/alarm light will only illuminate when the conditions described in the genuine Triumph accessory alarm instructions are met.

Anti-lock Braking System (ABS) Warning Light

Warning

If the ABS is not functioning, the brake system will continue to function as a non-ABS equipped brake system.

Do not continue to ride for longer than is necessary with the warning light illuminated.

Contact an authorized Triumph dealer as soon as possible to have the fault checked and rectified. In this situation braking too hard will cause the wheels to lock resulting in loss of motorcycle control and an accident.

Note

Traction control will not function if there is a malfunction with the ABS. The warning lights for the ABS, traction control and the MIL will be illuminated.



When the ignition switch is turned to the ON position, it is normal that the ABS warning light will flash on and off. The light will continue to flash after engine start-up until the motorcycle first reaches a speed exceeding 6 mph (10 km/h) when it will go off.

The warning light will not illuminate again until the engine is restarted unless there is a fault, or the ABS is disabled by the rider (Street Scrambler and Street Scrambler Sandstorm only).

If the ABS is disabled by the rider (Street Scrambler and Street Scrambler Sandstorm only) then the warning light will illuminate until the ABS is enabled again.

General Information

If there is a fault with the ABS system the warning light will be illuminated and the general warning symbol will flash.

Cruise Control Indicator Light



The cruise control (if equipped) can only be activated when the motorcycle is traveling at a speed between 19 to 100 mph (30 to 160 km/h) and is in 3rd gear or higher. When activated, the cruise control indicator light in the instrument panel will be illuminated.

Warning

Cruise control must only be used where riding safely at a steady speed.

Cruise control must not be used when riding in heavy traffic, on slippery roads, or roads with sharp or blind bends.

Using cruise control in these conditions may result in loss of motorcycle control and an accident.

Traction Control (TC) Indicator Light



The Traction Control (TC) indicator light is used to indicate that the traction control system is active and is working to limit rear wheel slip during periods of hard acceleration or under wet or slippery road conditions.

Warning

If the traction control is not functioning, care must be taken when accelerating and cornering on wet/slippery road surfaces to avoid rear wheel spin.

Do not continue to ride for longer than is necessary with the engine management system Malfunction Indicator Light (MIL) and traction control warning lights illuminated. Contact an authorized Triumph dealer as soon as possible to have the fault checked.

Hard acceleration and cornering in this situation may cause the rear wheel to spin resulting in loss of motorcycle control and an accident.

If traction control is switched on:

- Under normal riding conditions the TC indicator light will remain off.
- The TC indicator light will flash rapidly when the traction control system is working to limit rear wheel slip during periods of hard acceleration or under wet or slippery road conditions.

If traction control is switched off:

- The TC indicator light will not illuminate. Instead the TC disabled warning light will be illuminated.

Note

Traction control will not function if there is a malfunction with the ABS system. The warning lights for the ABS, traction control and the MIL will be illuminated.

Traction Control (TC) Disabled

Warning Light



The TC disabled warning light should not illuminate unless traction control is switched off or there is a malfunction.

If the warning light becomes illuminated at any other time while riding, it indicates that the traction control system has a malfunction that requires investigation.

Turn Signals



When the turn signal switch is turned to the left or right, the indicator warning light will flash on and off at the same

speed as the turn signals.

High Beam



When the ignition is switched ON and the high beam is selected, the high beam warning light will illuminate.

Daytime Running Lights (DRL) (if equipped)



When the ignition is switched ON and the daytime running lights switch is set to Daytime Running Lights, the daytime

running lights warning light will illuminate.

The daytime running lights and low beam headlights are operated manually using a switch on the left hand switch housing, see page 39.



Warning

Do not ride for longer than necessary in poor ambient light conditions with the Daytime Running Lights (DRL) in use.

Riding with the Daytime Running Lights when dark, in tunnels or where poor ambient light is apparent may reduce the riders vision or blind other road users.

Blinding other road users or reduced vision in low ambient light levels may result in loss of motorcycle control and an accident.

Note

During daylight hours the Daytime Running Lights (DRL) improve the motorcycles visibility to other road users.

Low beam headlights must be used in any other conditions unless the road conditions allow for high beam headlights to be used.

Neutral



The neutral warning light indicates when the transmission is in neutral (no gear selected). The warning light will illuminate when the transmission is in neutral with the ignition switch in the ON position.

Low Fuel Indicator Light



The low fuel indicator light will illuminate when there is approximately 0.8 gallon (3 liters) of fuel remaining in the tank.

General Information

Tire Pressure Warning Light

Warning

Stop the motorcycle if the tire pressure warning light illuminates.

Do not ride the motorcycle until the tires have been checked and the tire pressures are at their recommended pressure when cold.

Note

Tire Pressure Monitoring System (TPMS) is an accessory option only available on models equipped with cast alloy wheels.

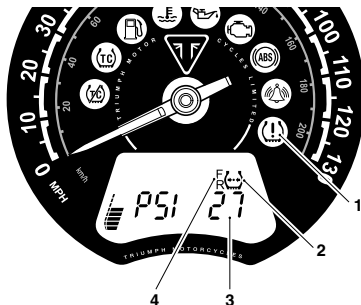


The tire pressure warning light works in conjunction with the Tire Pressure Monitoring System (TPMS)

(see page 54).

The warning light will only illuminate when the front or rear tire pressure is below the recommended pressure. It will not illuminate if the tire is over inflated.

When the warning light is illuminated, the TPMS symbol indicating which is the deflated tire and its pressure will automatically be shown in the display screen.



1. Tire pressure warning light
2. TPMS symbol
3. Tire pressure
4. Front and rear tire indicators

The tire pressure at which the warning light illuminates is temperature compensated to 68°F (20°C) but the numeric pressure display associated with it is not. Even if the numeric display seems at or close to the standard tire pressure when the warning light is on, a low tire pressure is indicated and a puncture is the most likely cause.

General Warning Symbol



The general warning symbol will flash if an ABS or engine management fault has occurred and the ABS and/or MIL warning lights are illuminated. Contact an authorized Triumph dealer as soon as possible to have the fault checked and rectified.

Instruments

Speedometer and Odometer

The speedometer indicates the road speed of the motorcycle.

The odometer shows the total distance that the motorcycle has travelled.

Tachometer

Caution

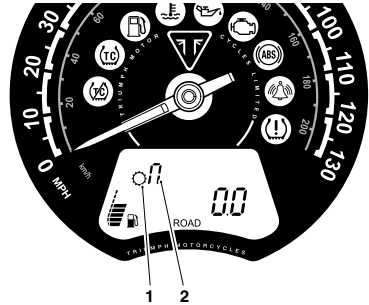
Never allow engine speed to enter the red zone as severe engine damage may result.

The tachometer shows the engine speed in revolutions per minute - rpm (r/min). At the end of the tachometer range there is the red zone.

Engine speeds in the red zone are above maximum recommended engine speed and are also above the range for best performance.

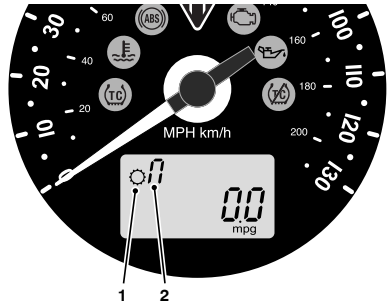
Gear Position Display

Street Scrambler,
Street Scrambler Sandstorm,
Street Twin and Street Twin Goldline
Only



1. Gear position symbol
2. Gear position display (neutral position shown)

All Other Models



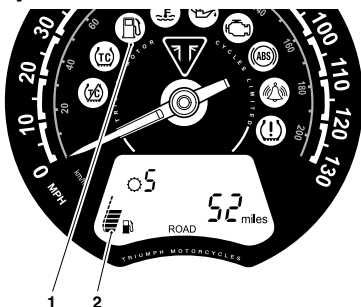
1. Gear position symbol
2. Gear position display (neutral position shown)

The gear position display indicates which gear (1-5 or 1-6) has been engaged. When the transmission is in neutral (no gear selected), the display screen will show 'n'.

General Information

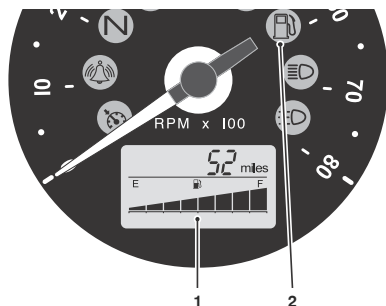
Fuel Gauge

Street Scrambler,
Street Scrambler Sandstorm,
Street Twin and Street Twin Goldline
Only



1. Low fuel indicator light
2. Fuel gage

All Other Models



1. Fuel gage
2. Low fuel indicator light

The fuel gage indicates the amount of fuel in the tank. With the ignition switched on, the number of bars shown in the display indicates the level of fuel.

When the fuel tank is full all eight bars are displayed and when empty, no bars are displayed. Other gage markings indicate intermediate fuel levels between full and empty.

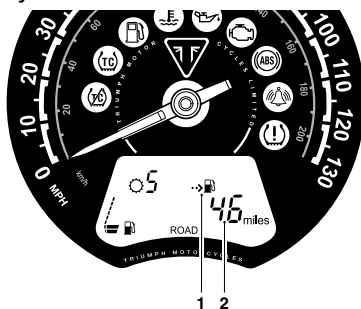
When there is approximately 0.8 gallon (3 liters) of fuel remaining in the tank, the low fuel warning light will illuminate.

Note

After refueling, the fuel gage and range to empty information will be updated only while riding the motorcycle. Depending on the riding style, updating could take up to five minutes.

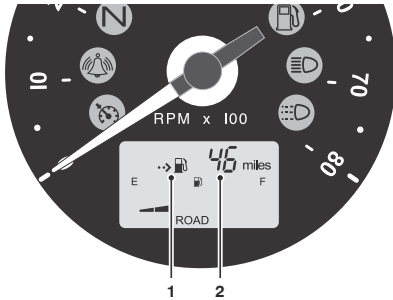
Range to Empty

Street Scrambler,
Street Scrambler Sandstorm,
Street Twin and Street Twin Goldline
Only



1. Range to empty indicator
2. Estimated distance remaining

All Other Models



1. Range to empty indicator
2. Estimated distance remaining

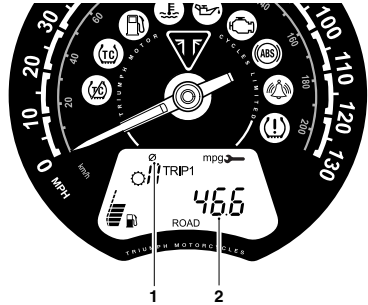
This is an indication of the predicted distance that can be traveled on the remaining fuel in the tank.

Note

After refueling, the fuel gage and range to empty information will be updated only while riding the motorcycle. Depending on the riding style, updating could take up to five minutes.

Average Fuel Consumption

Street Scrambler,
Street Scrambler Sandstorm,
Street Twin and Street Twin Goldline
Only



1. Average symbol
2. Average fuel consumption

All Other Models



1. Average symbol
2. Average fuel consumption

This is an indication of the average fuel consumption. After being reset the display will show dashes until 0.1 miles/km has been covered.

General Information

Note

After refueling, the average consumption information will be updated only while riding the motorcycle. Depending on the riding style, updating could take up to five minutes.

Trip Meter

Warning

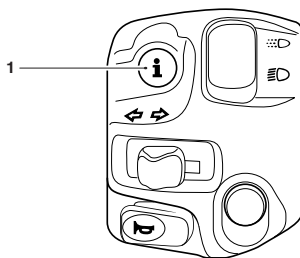
Do not attempt to switch between the odometer and trip meter display modes or reset the trip meter with the motorcycle in motion as this may lead to loss of motorcycle control and an accident.



1. Trip meter display (Trip 1 selected)

There are two trip meters. Either trip meter shows the distance that the motorcycle has traveled since the meter on display was last reset to zero.

To switch between trip meters, press and release the SCROLL button, located on the left hand handlebar switch housing, until the required trip meter is shown.



1. SCROLL button

Note

Street Scrambler and Street Scrambler Sandstorm Only

The trip meters are not accessible when in OFF ROAD mode. The trip meter data continues to be collected when riding in OFF ROAD mode. The updated trip meter data is shown in the trip meters after switching the OFF ROAD mode off.

Trip Meter Reset

To reset either of the trip meters:

- Select the trip meter to be zeroed.
- Press and hold the SCROLL button for one second. After more than one second, the trip meter on display will reset to zero.

Clock

To access the clock, press and release the SCROLL button, located on the left hand handlebar switch housing, until the clock is shown.



1. Clock

- When the correct hour display is shown, press and hold the SCROLL button for one second. The hours display is set and the minutes display will begin to flash. The minutes display is adjusted in the same way as for the hour display.
- Once both hours and minutes are correctly set, press the SCROLL button for one second and the display will cease to flash.

Clock Adjustment

Warning

Do not attempt to adjust the clock with the motorcycle in motion as this may lead to loss of motorcycle control and an accident.

To reset the clock:

- Select the clock display.
- Press and hold the SCROLL button for one second, the clock's hour display will start to flash. Release the SCROLL button.

To reset the hour display:

- Make sure the hour display is still flashing then press and release the SCROLL button to change the setting. Each individual button press will change the setting by one digit.

General Information

Riding Modes

Note

Riding modes are available on all models except Bonneville T100.

The riding mode system allows the selection of riding modes with specific traction control and throttle response settings.

Riding modes are selected using the MODE button on either the left or right hand handlebar switch housing, depending on the model.

Press and release the MODE button to select one of the following riding modes.

Bonneville T120 (all models), Street Twin and Street Twin Goldline	
Riding Mode	Description
ROAD	Standard throttle response. Optimal traction control setting for road use.
RAIN	Reduced throttle response when compared to the ROAD setting, for wet or slippery conditions. Optimal traction control setting for road use in rain conditions and allows minimal rear wheel slip.

Speed Twin	
Riding Mode	Description
ROAD	Standard throttle response. Optimal traction control setting for road use.
RAIN	Reduced throttle response when compared to the ROAD setting, for wet or slippery conditions. Optimal traction control setting for road use in rain conditions and allows minimal rear wheel slip.
SPORT	Increased throttle response when compared to the ROAD setting. Optimal traction control setting for road use and allows minimal rear wheel slip.

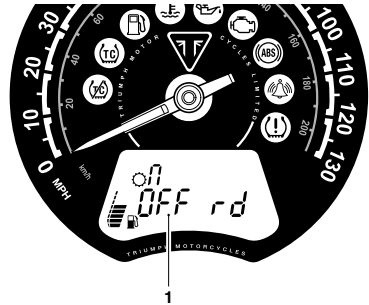
General Information

Thruxton RS	
Riding Mode	Description
RAIN	<p>Reduced throttle response when compared to the ROAD setting, for wet or slippery conditions.</p> <p>Optimal ABS setting for road use.</p> <p>Optimal traction control setting for wet and slippery conditions. Allows reduced rear wheel slip when compared with the ROAD setting.</p>
ROAD	<p>Standard throttle response.</p> <p>Optimal ABS setting for road use.</p> <p>Optimal traction control setting for road use.</p>
SPORT	<p>Increased throttle response when compared to the ROAD setting.</p> <p>Optimal ABS setting for road use.</p> <p>Allows increased rear wheel slip when compared with the ROAD setting.</p>

Street Scrambler and Street Scrambler Sandstorm Only

Street Scrambler and Street Scrambler Sandstorm	
Riding Mode	Description
ROAD	<p>Standard throttle response.</p> <p>Optimal traction control setting for road use.</p>
RAIN	<p>Reduced throttle response when compared to the ROAD setting, for wet or slippery conditions.</p> <p>Optimal traction control setting for road use in rain conditions and allows minimal rear wheel slip.</p>
OFF ROAD	<p>Optimal throttle response setting for off-road use.</p> <p>ABS is off. Traction control is off.</p> <p>Trip meters are not shown. Trip meter data continues to be collected when riding in this mode.</p> <p>OFF ROAD mode can only be selected when the motorcycle is stationary.</p>

If OFF ROAD mode is selected, it is shown in the main display.



1. OFF ROAD mode display (Street Scrambler and Street Scrambler Sandstorm only)

When in OFF ROAD mode, a long press on the MODE button changes the riding mode to ROAD mode.

Selecting a Riding Mode - with the Motorcycle Stationary

Press and release the MODE button on either the left or right hand handlebar switch housing (model specific) until the required riding mode is flashing in the display.

The selected riding mode is automatically activated one second after the MODE button is pressed, if the following conditions are met:

With the Engine Off

- The ignition is switched ON.
- The engine stop switch is in the RUN position.

With the Engine Running

- The transmission is in neutral or the clutch is pulled in.

General Information

Selecting a Riding Mode – when Riding the Motorcycle

Warning

The selection of riding modes while the motorcycle is in motion requires the rider to allow the motorcycle to coast (motorcycle moving, engine running, throttle closed, clutch lever pulled in and no brakes applied) for a brief period of time.

Riding mode selection while the motorcycle is in motion should only be attempted:

- At low speed
- In traffic free areas
- On straight and level roads or surfaces
- In good road and weather conditions
- Where it is safe to allow the motorcycle to briefly coast.

Riding mode selection while the motorcycle is in motion MUST NOT be attempted:

- At high speeds
- While riding in traffic
- During cornering or on winding roads or surfaces
- On steeply inclined roads or surfaces
- In poor road/weather conditions
- Where it is unsafe to allow the motorcycle to coast.

Failure to observe this important warning will lead to loss of motorcycle control and an accident.

Warning

After selecting a riding mode, operate the motorcycle in an area free from traffic to gain familiarity with the new settings.

Do not loan your motorcycle to anyone as they may change the riding mode settings from the one you are familiar with, causing loss of motorcycle control and an accident.

Note

Street Scrambler and Street Scrambler Sandstorm Only

OFF ROAD mode is not available to select when riding the motorcycle. It can only be selected when the motorcycle is stationary.

OFF ROAD mode can be switched off by a long press on the MODE button which then selects ROAD mode.

Press and release the MODE button on either the left or right hand handlebar switch housing (model specific) until the required riding mode is flashing in the display.

Within 30 seconds of pressing the MODE button the rider must carry out the following simultaneously:

- Close the throttle.
- Pull the clutch in.
- Make sure that the brakes are not engaged (allow the motorcycle to coast).

Note

The last riding mode selected before the ignition is switched OFF will be the same riding mode active when the ignition is switched ON again.

In the event of an incomplete riding mode change:

- Safely bring the motorcycle to a stop.
- Select neutral gear.
- Turn the ignition OFF and then back ON again.
- Select the required riding mode.
- Restart the engine and continue riding.

Warning

Do not stop the engine using the ignition switch or engine stop switch while the motorcycle is moving.

Always bring the motorcycle to a stop safely and engage Neutral gear prior to stopping the engine.

Stopping the engine by turning off the ignition or engine stop switch while the motorcycle is moving can lock the rear wheel causing loss of motorcycle control and an accident.

Cruise Control (if equipped)

Warning

Cruise control must only be used where you can ride safely at a steady speed.

Cruise control should not be used when riding in heavy traffic, on roads with sharp/blind bends or when they are slippery.

Using cruise control in heavy traffic, on roads with sharp/blind bends or when they are slippery, may result in loss of motorcycle control and an accident.

Warning

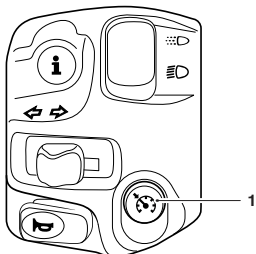
This Triumph motorcycle should be operated within the legal speed limits for the particular road traveled.

Operating a motorcycle at high speeds can be potentially dangerous since the time available to react to given traffic situations is greatly reduced as road speed increases.

Always reduce speed in potentially hazardous driving conditions such as bad weather or heavy traffic.

General Information

The cruise control button is located on the left hand switch housing and can be operated with minimum movement when riding.



1. Cruise control button

Cruise control can be switched on or off at any time but it cannot be activated until all the conditions described on page 50 have been met.

Activating Cruise Control

The following conditions must be met to activate cruise control:

- The motorcycle must be traveling at a speed between 19 to 100 mph (30 to 160 km/h).
- The motorcycle must be in 3rd gear or higher.

To activate cruise control:

- Press the cruise control button to turn the cruise control system on. The cruise control symbol will be shown in the display screen.
- When the required cruising speed is achieved, press the cruise control button again to activate the cruise control. The cruise control light in the tachometer will illuminate indicating that the cruise control is active.

Deactivating Cruise Control

The cruise control can be deactivated by one of the following methods:

- Roll the throttle twist grip fully forward.
- Pull the clutch lever.
- Operate the front or rear brake.
- Increase speed by using the throttle for more than 60 seconds.

Upon deactivation, the cruise control light will go out in the tachometer.

Traction Control (TC)

Warning

Traction control is not a substitute for riding appropriately for the prevailing road and weather conditions.

The traction control cannot prevent loss of traction due to:

- Excessive speed when entering turns
- Accelerating at a sharp lean angle
- Braking
- Traction control cannot prevent the front wheel from slipping.

Failure to observe any of the above may result in loss of motorcycle control and an accident.

Traction control helps to maintain traction when accelerating on wet/slippery road surfaces. If sensors detect that the rear wheel is losing traction (slipping), the traction control system will engage and alter the engine power until traction to the rear wheel has been restored. The traction control warning light will flash while it is engaged and the rider may notice a change to the sound of the engine.

Note

Traction control will not function if there is a malfunction with the ABS system. The warning lights for the ABS, traction control and the MIL will be illuminated.

Note

Street Scrambler and Street Scrambler Sandstorm Only

Traction control is switched off when in OFF ROAD mode.

Traction Control Settings

Warning

Do not attempt to adjust the traction control settings while the motorcycle is in motion as this may lead to loss of motorcycle control and an accident.

Warning

If the traction control is disabled, the motorcycle will handle as normal but without traction control. In this situation accelerating too hard on wet/slippery road surfaces may cause the rear wheel to slip, and may result in loss of motorcycle control and an accident.

The traction control can be set to one of the following conditions:

ON	Optimal traction control setting for road use, allows minimal rear wheel slip.
OFF	Traction control is turned OFF. The TC disabled warning light will be illuminated (see page 39).

Traction control defaults to ON after the ignition has been switched OFF and then switched ON again.

General Information

To Disable the Traction Control

Warning

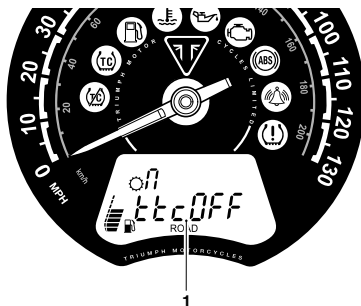
After riding off-road with traction control disabled, always make sure that the traction control is enabled when returning to ride on public roads.

Riding on public roads with the traction control disabled may, if accelerating too hard on wet/slippery road surfaces, cause the rear wheel to slip resulting in loss of motorcycle control and an accident.

To disable the traction control setting:

- Make sure the motorcycle is stationary and in neutral.
- Turn the ignition to the ON position and put the engine start/stop switch in the RUN position.
- Press and release the SCROLL button on the left hand handlebar switch housing until 'ttcOn' is shown in the display.

- Press and hold the SCROLL button for more than one second to change between traction control on and traction control off.



1. **Traction control off display (Street Twin shown)**

ABS Disable and Enable - Street Scrambler Models Only

Warning

Do not attempt to adjust the ABS settings while the motorcycle is in motion as this may lead to loss of motorcycle control and an accident.

Warning

If the ABS is disabled, the brake system will function as a non-ABS braking system. In this situation braking too hard will cause the wheels to lock, and may result in loss of motorcycle control and an accident.

Warning

After riding off-road with ABS disabled, always make sure that the ABS is enabled when returning to ride on public roads.

Riding on public roads with the ABS disabled will, if braking too hard, cause the wheels to lock resulting in loss of motorcycle control and an accident.

ABS Disable

It is possible to temporarily disable the ABS. The ABS cannot be permanently disabled, it will be enabled when the ignition is turned off and then on again.

To disable the ABS:

- Make sure the motorcycle is stationary and in neutral. Turn the ignition to the ON position and put the engine start/stop switch in the RUN position.
- Press and release the SCROLL button until 'AbSON' is shown in the left hand display.
- Press and hold the SCROLL button for one second to change between ABS on and ABS off.
- The display shows 'AbSOFF' when the ABS is disabled, and the ABS warning light will be illuminated.

Note

With the ABS disabled, the traction control will still function (unless traction control has been manually disabled).

ABS Enable

To enable the ABS, do one of the following:

- Repeat the ABS disable procedure and select 'AbSON'.
- Turn the ignition OFF and then ON.
- The ABS will be enabled when the motorcycle reaches a speed exceeding 6 mph (10 km/h). The ABS warning light will turn off.

General Information

Tire Pressure Monitoring System (TPMS) (if equipped)



Warning

The daily check of tire pressures must not be excluded because of the installation of the TPMS. Check the tire pressure when the tires are cold using an accurate tire pressure gage (see page 137).

Use of the TPMS system to set inflation pressures may lead to incorrect tire pressures leading to loss of motorcycle control and an accident.

Note

Tire Pressure Monitoring System (TPMS) is an accessory option only available on models equipped with cast alloy wheels.

Function

Tire pressure sensors are mounted to the front and rear wheels. These sensors measure the air pressure inside the tire and transmit pressure data to the instruments. These sensors will not transmit the data until the motorcycle is traveling at a speed greater than 12 mph (20 km). Two dashes will be shown in the display screen until the tire pressure signal is received.

The Tire Pressure Monitoring System (TPMS) is an accessory equipped item and must be installed by your authorized Triumph dealer.

The TPMS display screen on the instruments will only be activated when the system has been installed.

An adhesive label will be installed to the wheel rim to indicate the position of the tire pressure sensor which is near the valve.

Tire Pressure Sensor Serial Number

The serial number for the tire pressure sensor is printed on a label attached to the sensor. This number may be required by your authorized Triumph dealer for service or diagnostics.

When the tire pressure monitoring system is being installed to the motorcycle, make sure that your authorized Triumph dealer records the serial numbers of the front and rear tire pressure sensors in the spaces provided below.

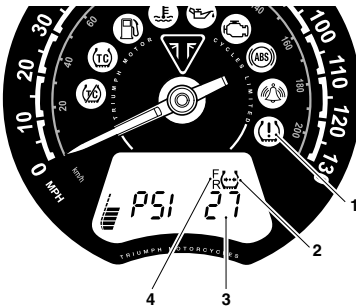
Front Tire Pressure Sensor

Rear Tire Pressure Sensor

System Display

Warning

Do not attempt to switch between front and rear tire display modes with the motorcycle in motion as this may lead to loss of motorcycle control and an accident.



1. TPMS warning light
2. TPMS symbol
3. Tire pressure
4. Front and rear tire indicators

To view the tire pressure display:

- Make sure the motorcycle is stationary and in neutral. Turn the ignition to the ON position.
- Press and release the SCROLL button until PSI or bAr is shown in the display screen.
- Press and hold the SCROLL button for one second to change between PSI and bar.
- Once PSI or bar has been selected, press and release the SCROLL button to select the front or rear tire pressure.

- When the tire pressure monitoring system has been selected, -- PSI or bAr is shown in display screen until the motorcycle is traveling at a speed greater than 12 mph (20 km/h) and the tire pressure signal is received.
- To exit the tire pressure display, press and release the SCROLL button until the desired display screen is shown.

Sensor Batteries

When the battery voltage in a pressure sensor is low, LO bAt will be displayed and the TPMS symbol will indicate which wheel sensor has the low battery voltage. If the batteries are completely flat, only dashes will be visible in the display screen, the red TPMS warning light will be on and the TPMS symbol will flash continuously. Contact your authorized Triumph dealer to have the sensor replaced and the new serial number recorded in the spaces provided on page 54.

With the ignition switch turned to the ON position, if the TPMS symbol flashes for 10 seconds and then remains on there is a fault with the TPMS system. Contact your authorized Triumph dealer to have the fault rectified.

General Information

Tire Pressures

Warning

The Tire Pressure Monitoring System (TPMS) is not to be used as a tire pressure gage when adjusting the tire pressures.

For correct tire pressures, always check the tire pressures when the tires are cold using an accurate tire pressure gage.

Use of the TPMS system to set inflation pressures may lead to incorrect tire pressures leading to loss of motorcycle control and an accident.

The tire pressures shown on your instrument panel indicate the actual tire pressure at the time of selecting the display. This may differ from the inflation pressure set when the tires are cold because tires become warmer during riding, causing the air in the tire to expand and the inflation pressure to increase. The cold inflation pressures specified by Triumph take account of this.

Only adjust tire pressures when the tires are cold using an accurate tire pressure gage (see page 137). Do not use the tire pressure display on the instruments.

Replacement Tires

When replacing tires, always have your tires mounted by an authorized Triumph dealer and make sure they are aware that tire pressure sensors are installed to the wheels.

Ignition Switch/Steering Lock

Warning

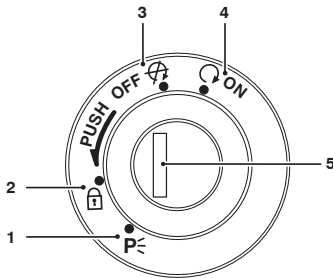
For reasons of security and safety, always turn the ignition to the OFF or PARK (if equipped) position and remove the key when leaving the motorcycle unattended.

Any unauthorized use of the motorcycle may cause injury to the user, other road users and pedestrians and may also cause damage to the motorcycle.

Warning

With the key in the LOCK or PARK (if equipped) position, the steering will become locked.

Never turn the key to the LOCK or PARK (if equipped) positions while the motorcycle is moving as this will cause the steering to lock. Locked steering will cause loss of motorcycle control and an accident.



1. PARK position (if equipped)
2. LOCK position
3. OFF position
4. ON position
5. Ignition switch/Steering lock

Switch Operation

This is a key operated switch. The key can be removed from the switch only when it is in the OFF, LOCK or PARK (if equipped) position.

TO LOCK: Turn the steering fully to the left, turn the key to the OFF position, push and fully release the key, then rotate it to the LOCK position.

PARKING: Turn the key from the LOCK position to the PARK position (if equipped). The steering will remain locked.

Note

Do not leave the steering lock in the PARK position (if equipped) for long periods of time as this will cause the battery to discharge.

Engine Immobiliser

The ignition switch housing acts as the antenna for the engine immobilizer.

When the ignition switch is turned to the OFF position and the ignition key is removed, the engine immobilizer is on (see page 37). The engine immobilizer is turned off when the ignition key is in the ignition switch and it is turned to the ON position.

Ignition Key

Warning

Additional keys, key rings/chains or items attached to the ignition key may interfere with the steering, leading to loss of motorcycle control and an accident.

Remove all additional keys, key rings/chains and items from the ignition key before riding the motorcycle.

Caution

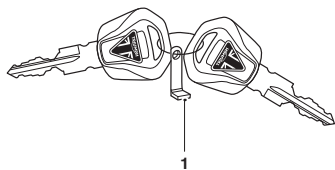
Additional keys, key rings/chains or items attached to the ignition key may cause damage to the motorcycle's painted or polished components.

Remove all additional keys, key rings/chains and items from the ignition key before riding the motorcycle.

General Information

Caution

Do not store the spare key with the motorcycle as this will reduce all aspects of security.



1. Key number tag

In addition to operating the ignition switch/steering lock, the ignition key is required to operate the seat lock and fuel tank cap.

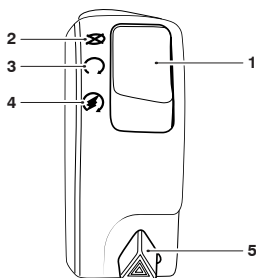
When the motorcycle is delivered from the factory, two ignition keys are supplied together with a small tag bearing the key number. Make a note of the key number and store the spare key and key number tag in a safe place away from the motorcycle.

There is a transponder within the ignition keys to turn off the engine immobilizer. To make sure the immobilizer functions correctly, always have only one of the ignition keys near the ignition switch. Having two ignition keys near the switch may interrupt the signal between the transponder and the engine immobilizer. In this situation the engine immobilizer will remain active until one of the ignition keys is removed.

Always get replacement keys from your authorized Triumph dealer. Replacement keys must be 'paired' with the motorcycle's immobilizer by your authorized Triumph dealer.

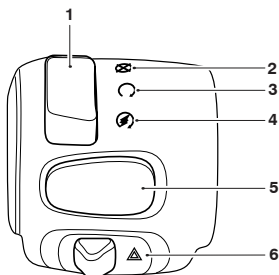
Right Handlebar Switches

Speed Twin, Street Scrambler, Street Scrambler Sandstorm, Street Twin, Street Twin Goldline and Thruxton RS



1. Engine start/stop switch
2. STOP position
3. RUN position
4. START position
5. Hazard warning light switch

Bonneville T100 (all models) and Bonneville T120 (all models)



1. Engine start/stop switch
2. STOP position
3. RUN position
4. START position
5. MODE button (Bonneville T120 (all models) only)
6. Hazard warning light switch

STOP Position

The STOP position is for emergency use. If an emergency arises which requires the engine to be stopped, move the engine start/stop switch to the STOP position.



Caution

Do not leave the ignition switch in the ON position unless the engine is running as this may cause damage to electrical components and will discharge the battery.

Note

Although the engine stop switch stops the engine, it does not turn off all the electrical circuits and may cause difficulty in restarting the engine due to a discharged battery. Ordinarily, only the ignition switch should be used to stop the engine.

RUN Position

In addition to the ignition switch being turned to the ON position, the engine start/stop switch must be in the RUN position for the motorcycle to operate.

START Position

The START position operates the electric starter. For the starter to operate, the clutch lever must be pulled to the handlebar.

Note

Even if the clutch lever is pulled to the handlebar, the starter will not operate if the side stand is down and a gear is engaged.

MODE Button (if equipped)

The MODE button allows throttle response adjustment. Press and release the MODE button to select one of the different rider modes available (see page 46 for more information).

Hazard Warning Lights Switch

To turn the hazard warning lights on or off, press and release the hazard warning light switch.

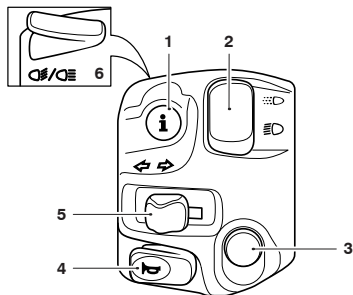
The ignition must be ON for the hazard warning lights to function.

The hazard warning lights will remain on if the ignition is OFF, until the hazard warning light switch is pressed again.

General Information

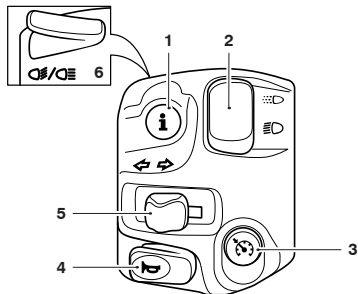
Left Handlebar Switches

Speed Twin, Street Scrambler,
Street Scrambler Sandstorm,
Street Twin, Street Twin Goldline and
Thruxton RS



1. SCROLL button
2. Daytime Running Lights (DRL) switch (if equipped)
3. MODE button
4. Horn button
5. Turn signal switch
6. High beam button

Bonneville T100 (all models) and Bonneville T120 (all models)



1. SCROLL button
2. Daytime Running Lights (DRL) switch (if equipped)
3. Cruise control button (Bonneville T120 only)
4. Horn button
5. Turn signal switch
6. High beam button

SCROLL Button

The SCROLL button is used to operate the following functions of the instruments:

- Odometer functions (see page 44)
- Trip reset (see page 44)
- Clock reset (see page 45)
- Traction control functions (see page 51).

Daytime Running Lights (DRL) Switch (if equipped)

Note

Daytime running lights are manually operated. They are not automatic.

The daytime running lights or dip beam can be selected with the Daytime Running Lights (DRL) switch.

To select daytime running lights, push the DRL switch forward.

To select dip beam, push the DRL switch rearwards.

When the daytime running lights are turned on, the daytime running lights indicator light will illuminate in the instrument panel.

Turn Signal Switch

When the turn signal switch is pushed to the left or right, the corresponding turn signals will flash on and off.

The indicators can be canceled manually. To manually turn off the indicators, press and release the indicator switch in the central position.

Horn Button

When the horn button is pushed, with the ignition switch turned on, the horn will sound.

Cruise Control Button (if equipped)

When the cruise control button is pressed, the cruise control is on. Cruise control remains on until the button is pressed again to turn off the cruise control. Cruise control can be switched on or off at any time but it cannot be activated until certain conditions have been met. For more information, see page 49.

MODE Button

The MODE button allows throttle response adjustment. Press and release the MODE button to select one of the different rider modes available (see page 46 for more information).

High Beam Light



When the high beam button is pressed the high beam will be switched on. Each press of the button will swap between dip and high beam.

Note

If daytime running lights are installed on the motorcycle, the high beam button has additional functionality.

If the DRL switch is in the daytime running lights position, then press and hold the high beam button to turn the high beam on. It will remain on as long as the button is held in and will turn off as soon as the button is released.

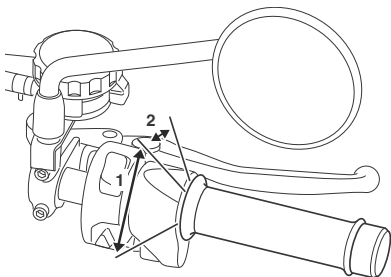
Note

A lighting on/off switch is not installed on this model. The tail light and license plate light all function automatically when the ignition is on.

The headlight will function when the ignition is on. The headlight will go off while pressing the starter button until the engine starts.

General Information

Throttle Control



1. Throttle open position
2. Throttle closed position

All models have an electronic throttle twist grip to open and close the throttles via the engine control unit. There are no direct-acting cables in the system.

The throttle grip has a resistive feel to it as it is rolled rearwards to open the throttles. When the grip is released it will return to the throttle closed position by its internal return spring and the throttles will close.

There are no user adjustments for the throttle control.

If there is a malfunction with the throttle control the Malfunction Indicator Light (MIL) becomes illuminated and one of the following engine conditions may occur:

- MIL illuminated, restricted engine RPM and throttle movement
- MIL illuminated, limp-home mode with the engine at a fast idle condition only
- MIL illuminated, engine will not start.

For all of the conditions mentioned contact an authorized Triumph dealer as soon as possible to have the fault checked and rectified.

Clutch Lever Adjusters

Warning

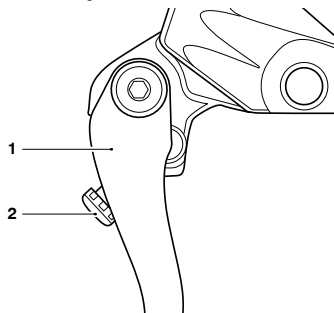
Do not attempt to adjust the levers with the motorcycle in motion as this may lead to loss of motorcycle control and an accident.

After adjusting the levers, operate the motorcycle in an area free from traffic to gain familiarity with the new lever setting.

Do not loan your motorcycle to anyone as they may change the lever setting causing loss of motorcycle control and an accident.

An adjuster is mounted to the front clutch lever. The adjuster allows the distance from the handlebar to the clutch lever to be changed to suit the span of the rider's hands.

Speed Twin Only

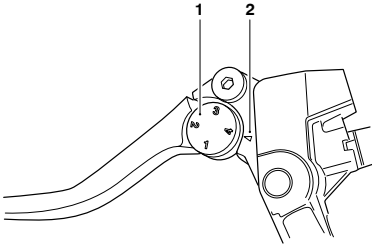


1. Clutch lever
2. Adjusting screw

To adjust the clutch lever:

- Push the clutch lever forward and turn the adjusting screw in to increase the distance or out to shorten the distance from the handlebar.

All Other Models



1. Clutch lever adjuster wheel
2. Arrow mark

To adjust the clutch lever:

- Push the clutch lever forward and turn the adjuster wheel to align one of the numbered positions with the arrow mark on the clutch lever holder.
- The distance from the handlebar grip to the released clutch lever is shortest when set to number four, and longest when set to number one.

Brake Lever Adjusters

Warning

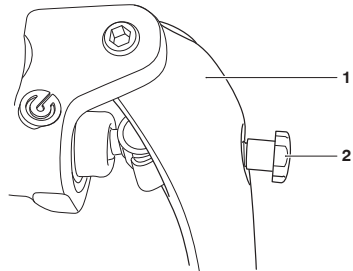
Do not attempt to adjust the levers with the motorcycle in motion as this may lead to loss of motorcycle control and an accident.

After adjusting the levers, operate the motorcycle in an area free from traffic to gain familiarity with the new lever setting.

Do not loan your motorcycle to anyone as they may change the lever setting from the one you are familiar with causing loss of motorcycle control and an accident.

An adjuster is mounted to the front brake lever. The adjuster allows the distance from the handlebar to the brake lever to be changed to suit the span of the rider's hands.

Speed Twin and Thruxton RS Only



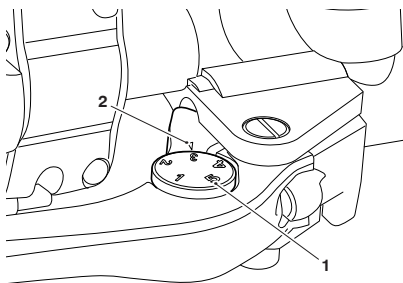
1. Brake lever
2. Adjusting screw

General Information

To adjust the brake lever:

- Push the brake lever forward and turn the adjusting screw in to increase the distance or out to shorten the distance from the handlebar.

All Other Models



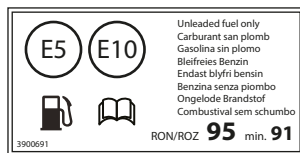
1. **Brake lever adjuster wheel**

2. **Arrow mark**

To adjust the brake lever:

- Push the brake lever forward and turn the adjuster wheel to align one of the numbered positions with the arrow mark on the brake lever holder.
- The distance from the handlebar grip to the released brake lever is shortest when set to number five, and longest when set to number one.

Fuel



Fuel Grade

Triumph motorcycles are designed to run on unleaded gasoline with a CLC or AKI octane rating (R+M)/2 of 87 or higher. Federal regulations require that pumps delivering unleaded gasoline are marked 'UNLEADED' and that the Cost of Living Council (CLC) or Anti-Knock Index (AKI) octane rating is also displayed. These ratings are an average of the Research Octane Number (RON) and the Motor Octane Number (MON).

Ethanol

In Europe, Triumph motorcycles are compatible with Ethanol E5 and E10 (5% and 10% Ethanol) unleaded fuel.

In all other markets Ethanol up to E25 (25% Ethanol) may be used.

Engine Calibration

In certain circumstances engine calibration may be required. Always refer to your authorized Triumph dealer.

Caution

The motorcycle can be permanently damaged if it is allowed to operate with the incorrect grade of fuel or incorrect engine calibration.

Always make sure the fuel used is of the correct grade and quality.

Damage caused by using the incorrect fuel or engine calibration is not considered a manufacturing defect and will not be covered under warranty.

Caution

The exhaust system for this motorcycle is equipped with a catalytic converter to help reduce exhaust emission levels.

Use of leaded fuel will damage the catalytic converter. In addition, the catalytic converter can be permanently damaged if the motorcycle is allowed to run out of fuel or if the fuel level is allowed to get very low.

Always make sure you have adequate fuel for your trip.

Note

The use of leaded fuel is illegal in some countries, states or territories.

Note

If 'knocking' or 'pinging' occurs at a steady engine speed under normal load, use a different brand of gasoline or gasoline which has a higher octane rating.

Oxygenated Gasoline

To help in meeting clean air standards, some areas of the U.S. use oxygenated gasoline to help reduce harmful emissions. These gasolines are a blend of conventional gasoline and another compound such as alcohol. This Triumph motorcycle will give its best performance when using unleaded gasoline. However, the following should be used as a guide if you use any oxygenated fuels.

Ethanol

Ethanol fuel is a mixture of 10% Ethanol and 90% gasoline and is often described under the names 'gasohol', 'Ethanol enhanced', or 'contains Ethanol'. This fuel may be used in your Triumph motorcycle.

MTBE (Methyl Tertiary Butyl Ether)

The use of gasolines containing up to 15% MTBE (Methyl Tertiary Butyl Ether) is permitted in this Triumph motorcycle.

Methanol

Fuels containing methanol should not be used as damage to components in the fuel system can be caused by contact with methanol.

Note

Because of the generally higher volatility of oxygenated fuels, starting, engine response and fuel consumption may be adversely affected by their use. Should any of these difficulties be experienced, run the motorcycle on normal unleaded gasoline.

General Information

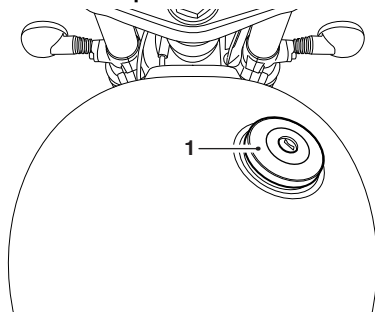
Refueling

Warning

To help reduce hazards associated with refueling, always observe the following fuel safety instructions:

- Gasoline (fuel) is highly flammable and can be explosive under certain conditions. When refueling, turn the ignition switch to the OFF position.
- Do not smoke.
- Do not use a mobile telephone.
- Make sure the refueling area is well ventilated and free from any source of flame or sparks. This includes any appliance with a pilot light.
- Never fill the tank until the fuel level rises into the filler neck. Heat from sunlight or other sources may cause the fuel to expand and overflow creating a fire hazard.
- After refueling always check that the fuel filler cap is correctly closed.
- Because gasoline (fuel) is highly flammable, any fuel leak or spillage, or any failure to observe the safety advice given above will lead to a fire hazard, which could cause damage to property, injury to persons or death.

Fuel Tank Cap



1. Fuel tank cap

To open the fuel tank cap:

- Remove the cap cover or lift up the cap flap.
- Insert the key into the lock and turn the key clockwise.
- Rotate the cap counterclockwise and lift clear of the tank filler neck.

To close and lock the fuel tank cap:

- Align the cap to the tank filler neck and rotate the cap clockwise until the cap seals against the filler neck.
- In the fully closed position, a ratchet mechanism prevents overtightening of the cap by allowing the outer part of the cap to turn independently of the internal part.
- Turn the key counterclockwise to lock and withdraw the key.
- Replace the cap cover or securely close the cap flap.

Filling the Fuel Tank

Warning

Overfilling the tank can lead to fuel spillage.

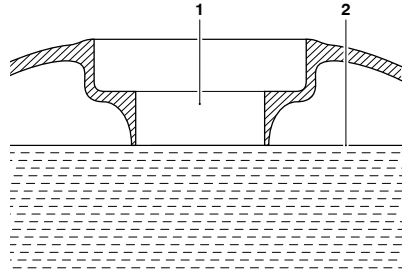
If fuel is spilled, thoroughly clean up the spillage immediately and dispose of the materials used safely.

Take care not to spill any fuel on the engine, exhaust pipes, tires or any other part of the motorcycle.

Because fuel is highly flammable, any fuel leak or spillage, or any failure to observe the safety advice given above may lead to a fire hazard, which could cause damage to property and injury or death to persons.

Fuel spilled near to, or onto the tires will reduce the tires' ability to grip the road. This will result in a dangerous riding condition potentially causing loss of motorcycle control and an accident.

Fill the fuel tank slowly to help prevent spillage. Do not fill the tank to a level above the bottom of the filler neck. This will make sure there is enough air space to allow for fuel expansion if the fuel inside the tank expands through absorption of heat from the engine or from direct sunlight.



1. **Fuel filler neck**
2. **Maximum fuel level**

After refueling always check that the fuel filler cap is correctly closed.

Caution

Avoid filling the tank in rainy or dusty conditions where airborne material can contaminate the fuel.

Contaminated fuel may cause damage to fuel system components.

General Information

Side Stand

Warning

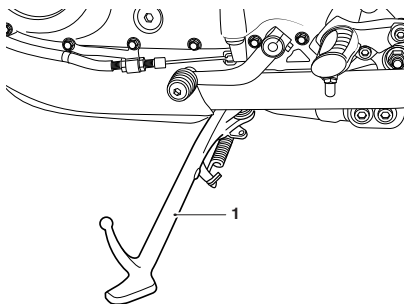
The motorcycle is equipped with an interlock system to prevent it from being ridden with the side stand in the down position.

Never attempt to ride with the side stand down or interfere with the interlock mechanism as this will cause a dangerous riding condition leading to loss of motorcycle control and an accident.

Warning

Do not lean, sit or climb on the motorcycle when it is supported on the side stand.

This may cause the motorcycle to fall over leading to motorcycle damage and an accident.



1. Side stand

The motorcycle is equipped with a side stand on which it can be parked. When using the side stand, always turn the handlebars fully to the left and leave the motorcycle in first gear.

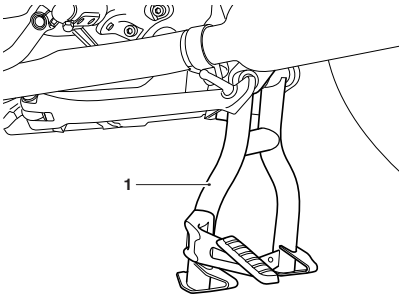
Whenever the side stand is used, before riding, always make sure that the stand is fully up after first sitting on the motorcycle.

For instructions on safe parking, refer to the 'How to Ride the Motorcycle' section.

Center Stand (if equipped)

Caution

Do not use body panels or the seat as a handhold when placing the motorcycle on the center stand as this will cause damage.



1. Center stand

To set the motorcycle on the center stand:

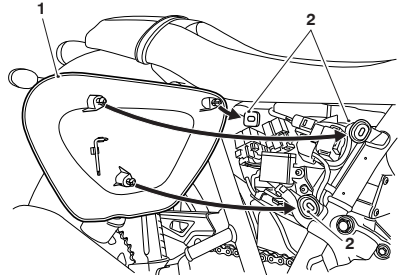
- Hold the motorcycle upright.
- Step down firmly on the foot finder part of the stand.
- Lift the motorcycle up and to the rear using the rear frame as a handhold.

For instructions on safe parking, refer to the How to Ride the Motorcycle section.

Side Panels

All Models except Street Scrambler and Street Scrambler Sandstorm

The right side panel can be removed to gain access to the adjustment tool and the rear brake fluid reservoir.



1. Side panel (right hand shown)
2. Grommets

To remove either side panel:

- Grasp the panel firmly and pull the panel away from the motorcycle until it is free from the three retaining grommets (leaving the grommets in place).

To reinstall either side panel:

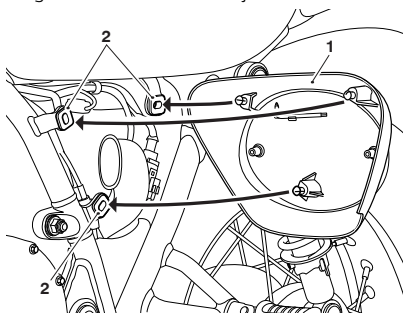
- Position the three locating dowels to the grommets, then press firmly to secure the panel.
- Finally, grasp the panel and make sure that it is fully retained.

General Information

Street Scrambler and Street Scrambler Sandstorm

Left Hand Side Panel

The left hand side panel can be removed to gain access to the adjustment tool.



1. Side panel (left hand shown)
2. Grommets

To remove the left hand side panel:

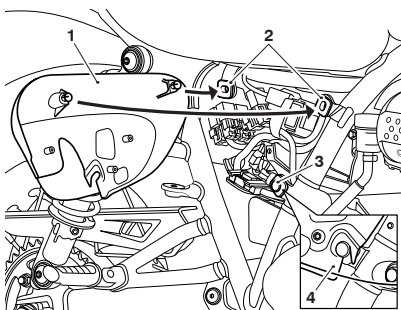
- Grasp the panel firmly and pull the panel away from the motorcycle until it is free from the three retaining grommets (leaving the grommets in place).

To reinstall the left hand side panel:

- Position the three locating dowels to the grommets, then press firmly to secure the panel.
- Finally, grasp the panel and make sure that it is fully retained.

Right Hand Side Panel

The right hand side panel can be removed to gain access to the rear brake fluid reservoir.



1. Side panel (right hand shown)
2. Upper grommets
3. Lower grommets
4. Side panel attached to lower grommet

Note

The exhaust system is shown removed for clarity.

To remove the right hand side panel:

- Grasp the panel firmly at the top and pull the panel away from the motorcycle until it is free from the two top retaining grommets, leaving the grommets in place.
- Lift up the panel to detach it from the lower grommet.

To reinstall the right hand side panel:

- Position the side panel on to the lower grommet.
- Make sure that the slot in the panel is fully engaged with the lower grommet.
- Position the two locating dowels to the upper grommets, then press firmly to secure the panel.
- Finally, grasp the panel and make sure that it is fully retained.

Tool Kit and Owner's Handbook

Tool Kit

The tool kit consists of an adjustment tool for all models, and additional C-spanners for Thruxton RS.

Bonneville T100 (all models), Bonneville T120 (all models), Speed Twin, Street Twin, Street Twin Goldline and Thruxton RS

The adjustment tool is attached to the inside of the right hand side panel.

Street Scrambler and Street Scrambler Sandstorm

The adjustment tool is attached to the inside of the left hand side panel.

Thruxton RS

There are two C-spanners located under the seat.

Owner's Handbook

Bonneville T100 (all models), Bonneville T120, Bonneville T120 Diamond and Thruxton RS

The Owner's Handbook is located under the seat on the rear fender.

Bonneville T120 Ace, Speed Twin, Street Scrambler and Street Scrambler Sandstorm

The Owner's Handbook is supplied separately.

Street Twin and Street Twin Goldline

The Owner's Handbook is located on the underside of the seat.

General Information

Helmet Hook (if equipped)

Warning

Never ride the motorcycle with helmet(s) secured to the helmet hook as this may cause the motorcycle to become unstable leading to loss of control and an accident.

Caution

Do not allow helmet(s) to rest against a hot muffler. The helmet may be damaged.

A helmet can be secured to the motorcycle using the helmet hook located on the left hand side of the motorcycle, beneath the seat.

To attach a helmet to the motorcycle:

- Remove the seat (see page 73) and loop the helmet chin strap over the hook.
- Make sure the flat area above the hook is not obstructed by the helmet strap, as this will prevent the seat engaging correctly.
- To secure the helmet, re-install the seat and lock into position.

Seats

Seat Care

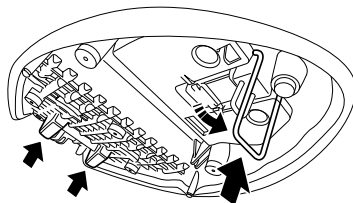
Caution

To prevent damage to the seats or seat covers, care must be taken not to drop the seats.

Do not lean the seats against the motorcycle or any surface which may damage the seats or seat covers. Instead, place the seats, with the seat cover facing upwards, on a clean, flat surface which is covered with a soft cloth.

Do not place any item on the seats which may cause damage or staining to the seat covers.

Thruxton RS Only



Seat Stand

To prevent damage to the seat after removing:

- Release the metal stand from the underside of the seat.

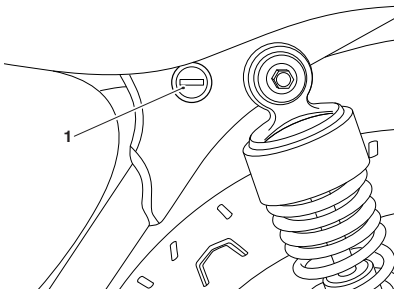
- Place the seat cover facing upwards, on a clean, flat surface using the metal stand and two plastic stands at the rear of the seat to rest on.
- For seat cleaning information, see page 162.

Seat Lock

Warning

To prevent detachment of the seat during riding, after installation always grasp the seat and pull firmly upwards. If the seat is not correctly secured in the lock, it will detach from the lock.

A loose or detached seat may cause loss of motorcycle control and an accident.



1. Seat lock

The seat lock is located on the left hand side of the motorcycle, on the frame below the seat.

The seat can be removed to gain access to the battery, fuse box (on certain models) and Owner's Handbook.

Seat Removal and Installation

Warning

To prevent detachment of the seat during riding, after installation always grasp the seat and pull firmly upwards.

If the seat is not correctly secured in the lock, it will detach from the lock.

A loose or detached seat may cause loss of motorcycle control and an accident.

All Models except Street Scrambler and Street Scrambler Sandstorm

Seat Removal

To remove the seat:

- Insert the ignition key into the seat lock and turn it counterclockwise. This will release the seat from its lock.
- Slide the seat upwards and rearwards for complete removal from the motorcycle.

Seat Installation

To reinstall the seat:

- Engage the seat's tongue underneath the bracket near the fuel tank.
- Line up the hinges and press down at the rear to engage the seat lock.

Note

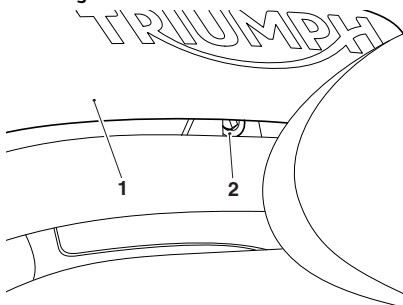
An audible click can be heard when the seat is fully engaged into its lock.

General Information

Street Scrambler Seat Removal

The passenger seat must be removed before removing the rider's seat from Street Scrambler and Street Scrambler Sandstorm models.

Passenger Seat Removal



1. Passenger seat
2. Fastener

To remove the passenger seat:

- Remove the fastener securing the passenger seat to the subframe.
- Lift the seat up from the back and slide rearwards to remove it from the motorcycle.

Rider's Seat Removal

To remove the rider's seat:

- Remove the passenger seat.
- Insert the ignition key into the seat lock and turn it counterclockwise while pressing down on the rear of the seat. This will release the seat from its lock.
- Lift the seat up from the back and slide rearwards to remove it from the motorcycle.

Street Scrambler Seat Installation

The rider's seat must be installed correctly before installing the passenger seat on Street Scrambler and Street Scrambler Sandstorm models.

Warning

To prevent detachment of the seat during riding, after installation always grasp the seat and pull firmly upwards.

If the seat is not correctly secured in the lock, it will detach from the lock.

A loose or detached seat may cause loss of motorcycle control and an accident.

Rider's Seat Installation

To install the rider's seat:

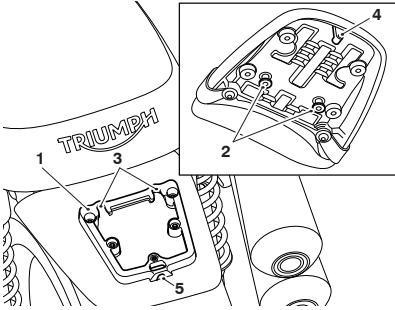
- Engage the seat's tongue under the fuel tank.
- Press firmly down in the center of the seat to engage the lock.
- An audible click can be heard when the seat is correctly engaged in the lock.
- Grasp the seat and make sure it is securely retained.

Passenger Seat Installation

To install the passenger seat:

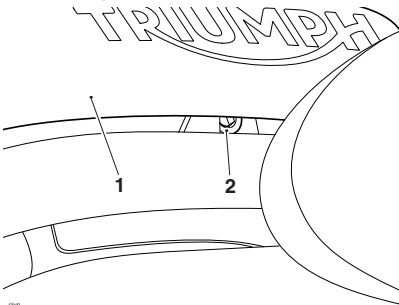
- Make sure that the rider's seat is correctly installed.
- Align the front locating lugs on the passenger seat to their locating slots on the subframe.

- Gently push the seat forward until the rear locating lug locates into its hole on the subframe.



1. Subframe
2. Front locating lugs
3. Front locating lug slots
4. Rear locating lug
5. Rear locating lug hole

- Secure the seat with its fastener and tighten to 27 lbf in (3 Nm).



1. Passenger seat
2. Fastener

- Grasp the seat and make sure that it is securely retained.

Universal Serial Bus (USB) Socket

Warning

The USB socket is not waterproof unless the waterproof cap is installed. Do not connect electronic devices while it is raining.

Water in the USB socket could lead to an electrical problem, resulting in motorcycle damage, loss of motorcycle control and an accident.

Caution

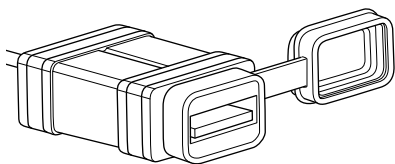
Do not leave the ignition switch in the ON position unless the engine is running as this will discharge the battery.

General Information

Caution

Make sure that all electronic devices and cables are safely secured under the seat when riding.

Make sure there is sufficient space surrounding any electronic devices for the seat to close without causing any damage to the electronic device or the motorcycle.



USB Port Socket

The Universal Serial Bus (USB) socket allows a 5 Volt USB connection for charging electronic devices such as mobile phones, cameras and GPS devices.

Loads up to two Amps can be connected to the USB socket.

To access the USB socket:

- Remove the seat (see page 73).
- The USB socket is located on top of the battery.
- Remove the cap.
- Plug the relevant USB adapter cable into the socket. Adapter cables are not supplied with the motorcycle.

Breaking-In



Breaking-in is the name given to the process that occurs during the first hours of a new vehicle's operation.

In particular, internal friction in the engine will be higher when components are new. Later on, when continued operation of the engine has ensured that the components have 'bedded in', this internal friction will be greatly reduced.

A period of careful breaking-in will ensure lower exhaust emissions, and will optimize performance, fuel economy and longevity of the engine and other motorcycle components.

During the first 500 miles (800 km):

- Do not use full throttle;
- Avoid high engine speeds at all times;
- Avoid riding at one constant engine speed, whether fast or slow, for a long period of time;
- Avoid aggressive starts, stops, and rapid accelerations, except in an emergency;
- Do not ride at speeds greater than 3/4 of maximum speed.

From 500 to 1,000 miles (800 to 1,500 km):

- Engine speed can gradually be increased to the rev limit for short periods.

Both during and after breaking-in has been completed:

- Do not overrev the engine when cold;
- Do not lug the engine. Always downshift before the engine begins to 'struggle';
- Do not ride with engine speeds unnecessarily high. Shifting up a gear helps reduce fuel consumption, reduces noise and helps to protect the environment.

Daily Safety Checks



Warning

Failure to perform these checks every day before you ride may result in serious motorcycle damage or an accident causing serious injury or death.

Check the following items each day before you ride. The time required is minimal, and these checks will help ensure a safe, reliable ride.

If any irregularities are found during these checks, refer to the Maintenance and Adjustment section or see your authorized Triumph dealer for the action required to return the motorcycle to a safe operating condition.

Check:

Fuel: Adequate supply in tank, no fuel leaks (see page 67).

Engine Oil: Correct level on dipstick or shown in sight glass. Add correct specification oil as required. No leaks from the engine or oil cooler (see page 103).

Drive Chain: Correct adjustment (see page 113).

Tires/Wheels: Correct inflation pressures (when cold). Tread depth/wear, tire/wheel damage, loose/broken spokes, punctures etc. (see page 136).

General Information

Nuts, Bolts, Fasteners: Visually check that steering and suspension components, axles, and all controls are properly tightened or fastened. Inspect all areas for loose/damaged fasteners.

Steering Action: Smooth but not loose from lock to lock. No binding of any of the control cables (see page 128).

Brakes: Pull the brake lever and push the brake pedal to check for correct resistance. Investigate any lever/pedal where the travel is excessive before meeting resistance, or if either control feels spongy in operation (see page 117).

Brake Pads: Check that the correct amount of friction material is remaining on all the brake pads (see page 117).

Brake Fluid Levels: No brake fluid leakage. Brake fluid levels must be between the MAX and MIN marks on both reservoirs (see page 119).

Front Forks: Smooth action. No fork oil leakage (see page 132).

Throttle: Make sure that the throttle grip returns to the idle position without sticking (see page 111).

Clutch: Smooth operation and correct cable free play (see page 112).

Coolant: No coolant leakage. Check the coolant level in the expansion tank (when the engine is cold) (see page 108).

Electrical Equipment: All lights and horn function correctly (see page 60).

Engine Stop: Engine start/stop switch turns the engine OFF when the switch is moved to the STOP position (see page 58).

Stands: Returns to the fully up position by spring tension. Return springs not weak or damaged (see page 68).

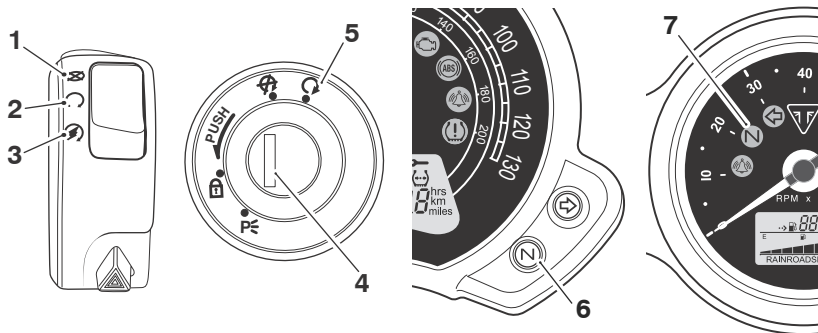
How to Ride the Motorcycle

Table of Contents

How to Ride the Motorcycle.....	80
Stopping the Engine.....	81
Starting the Engine.....	81
Moving Off.....	83
Changing Gears.....	83
Braking.....	84
Anti-lock Braking System (ABS).....	86
Parking.....	88
Considerations for High Speed Operation.....	90

How to Ride the Motorcycle

How to Ride the Motorcycle



1. STOP position
2. RUN position
3. START position
4. Ignition switch
5. ON position
6. Neutral indicator light (Street Scrambler, Street Scrambler Sandstorm, Street Twin and Street Twin Goldline)
7. Neutral indicator light (all other models)

Stopping the Engine

Caution

The engine should normally be stopped by turning the ignition switch to the OFF position.

The engine stop switch is for emergency use only.

Do not leave the ignition switched on with the engine stopped. Electrical damage may result.

To stop the engine:

- Close the throttle completely.
- Select neutral.
- Turn the ignition switch off.
- Select first gear.
- Position the motorcycle on a firm, level surface with the side stand (see page 88).
- Lock the steering (see page 56).

Starting the Engine

Warning

Never start the engine or run the engine in a confined area.

Exhaust fumes are poisonous and can cause loss of consciousness and death within a short period of time.

Always operate the motorcycle in the open air or in an area with adequate ventilation.

Caution

Do not operate the starter continuously for more than five seconds as the starter motor will overheat and the battery will become discharged.

Wait 15 seconds between each operation of the starter to allow for cooling and recovery of battery power.

Do not let the engine idle for long periods as this may lead to overheating which will cause damage to the engine.

How to Ride the Motorcycle



Caution

The low oil pressure warning light should go out shortly after the engine starts.

If the low oil pressure warning light stays on after starting the engine, stop the engine immediately and investigate the cause.

Running the engine with low oil pressure will cause severe engine damage.

To start the engine:

- Check that the engine stop switch is in the RUN position.
- Make sure the transmission is in neutral.
- Turn the ignition switch on.

Note

When the ignition is switched on, the instrument warning lights will illuminate and will then go off (except those which normally remain on until the engine starts, see the Warning Lights section).

- Pull the clutch lever fully into the handlebar.
- Leaving the throttle fully closed, push the starter button until the engine starts.
- The motorcycle is equipped with starter lockout switches. The switches prevent the electric starter from operating when the transmission is not in neutral with the side stand down.
- If the side stand is extended while the engine is running, and the transmission is not in neutral then the engine will stop regardless of the clutch lever position.

How to Ride the Motorcycle

Moving Off

To move the motorcycle:

- Pull in the clutch lever and select first gear.
- Open the throttle a little and let out the clutch lever slowly.
- As the clutch starts to engage, open the throttle a little more, allowing enough engine speed to avoid stalling.

Changing Gears

Warning

Take care to avoid opening the throttle too far or too fast in any of the lower gears as this can lead to the front wheel lifting from the ground (pulling a 'wheelie') and to the rear tire breaking traction (wheel spin).

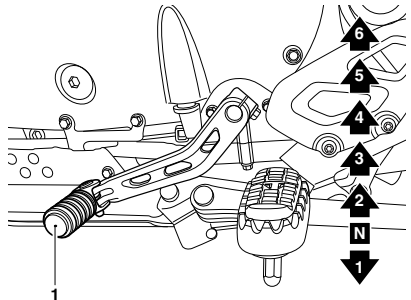
Always open the throttle cautiously, particularly if you are unfamiliar with the motorcycle, as a 'wheelie' or loss of traction will cause loss of motorcycle control and an accident.

Warning

Do not shift to a lower gear at speeds that will cause excessive engine rpm (r/min).

This can lock the rear wheel causing loss of control and an accident. Engine damage may also be caused.

Shifting down should be done such that low engine speeds will be ensured.



1. Gear shift pedal (6 speed shown)

How to Ride the Motorcycle

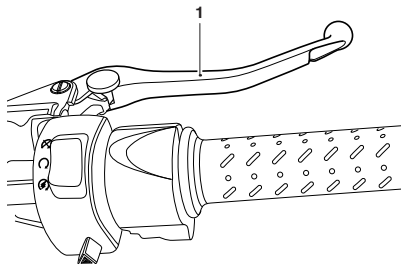
To shift gear:

- Close the throttle while pulling in the clutch lever.
- Shift into the next higher or lower gear.
- Open the throttle part way, while releasing the clutch lever. Always use the clutch when shifting gear.

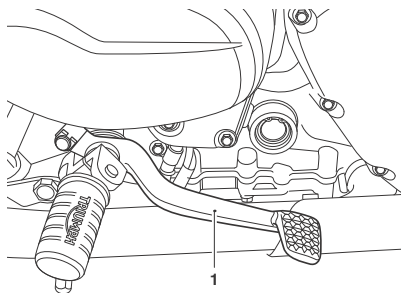
Note

The gear shift mechanism is the 'positive stop' type. This means that, for each movement of the gear shift pedal, you can only select each gear, one after the other, in ascending or descending order.

Braking



1. Front brake lever



1. Rear brake pedal

How to Ride the Motorcycle

Warning

WHEN BRAKING, OBSERVE THE FOLLOWING:

- Close the throttle completely, leaving the clutch engaged to allow the engine to help slow down the motorcycle.
- Shift down one gear at a time such that the transmission is in first gear when the motorcycle comes to a complete stop.
- When stopping, always apply both brakes at the same time. Normally the front brake should be applied a little more than the rear.
- Shift down or fully disengage the clutch as necessary to keep the engine from stalling.
- Never lock the brakes, as this may cause loss of control of the motorcycle and an accident.

Warning

For emergency braking, disregard down shifting, and concentrate on applying the front and rear brakes as hard as possible without skidding. Riders should practice emergency braking in a traffic-free area.

Triumph strongly recommends that all riders take a course of instruction, which includes advice on safe brake operation. Incorrect brake technique could result in loss of control and an accident.

Warning

For your safety, always exercise extreme caution when braking, accelerating or turning as any improper action can cause loss of control and an accident. Independent use of the front or rear brakes reduces overall braking performance. Extreme braking may cause either wheel to lock, reducing control of the motorcycle and causing an accident (see ABS warnings).

When possible, reduce speed or brake before entering a turn as closing the throttle or braking in mid-turn may cause wheel slip leading to loss of control and an accident.

When riding in wet or rainy conditions, or on loose surfaces, the ability to maneuver and stop will be reduced. All of your actions should be smooth under these conditions. Sudden acceleration, braking or turning may cause loss of control and an accident.

Warning

When descending a long, steep gradient or mountain pass, make use of the engine's braking effect by down shifting and use both front and rear brakes intermittently.

Continuous brake application or use of the rear brake only can overheat the brakes and reduce their effectiveness leading to loss of motorcycle control and an accident.

How to Ride the Motorcycle

Warning

Riding with your foot on the brake pedal or your hands on the brake lever may actuate the brake light, giving a false indication to other road users.

It may also overheat the brake, reducing braking effectiveness leading to loss of motorcycle control and an accident.

Warning

Do not coast with the engine switched off, and do not tow the motorcycle.

The transmission is pressure lubricated only when the engine is running.

Inadequate lubrication may cause damage or seizure of the transmission, which can lead to sudden loss of motorcycle control and an accident.

Anti-lock Braking System (ABS)

Warning

ABS prevents the wheels from locking, therefore maximizing the effectiveness of the braking system in emergencies and when riding on slippery surfaces. The potentially shorter braking distances ABS allows under certain conditions are not a substitute for good riding practice.

Always ride within the legal speed limit.

Never ride without due care and attention and always reduce speed in consideration of weather, road and traffic conditions.

Take care when cornering. If the brakes are applied in a corner, ABS will not be able to counteract the weight and momentum of the motorcycle. This can result in loss of control and an accident.

Under some circumstances it is possible that a motorcycle equipped with ABS may require a longer stopping distance.

How to Ride the Motorcycle

Warning

If the ABS is not functioning or has been disabled (Street Scrambler and Street Scrambler Sandstorm only), the brake system will continue to function as a non-ABS braking system.

Do not continue to ride for longer than is necessary with the warning light illuminated. In the event of a fault, contact an authorized Triumph dealer as soon as possible to have the fault checked and rectified.

In this situation, braking too hard will cause the wheels to lock resulting in loss of motorcycle control and an accident.

Warning

After riding off-road with ABS disabled, always make sure that the ABS is enabled when returning to ride on public roads.

Riding on public roads with the ABS disabled will, if braking too hard, cause the wheels to lock resulting in loss of motorcycle control and an accident.

Note

The ABS operation may feel like a harder pedal pressure or a pulsation of the brake lever and pedal.

The ABS is not an integrated braking system and does not control both the front and rear brake at the same time so this pulsation may be felt in the lever, the pedal or both.

The ABS may be activated by sudden upward or downward changes in the road surface.

ABS Warning Light



When the ignition switch is turned to the ON position, it is normal that the ABS warning light will flash on and off. The light will continue to flash after engine start-up until the motorcycle first reaches a speed exceeding 6 mph (10 km/h) when it will go off.

The warning light will not illuminate again until the engine is restarted unless there is a fault, or the ABS is disabled by the rider (Street Scrambler and Street Scrambler Sandstorm only).

If the ABS is disabled by the rider (Street Scrambler and Street Scrambler Sandstorm only) then the warning light will illuminate until the ABS is enabled again.

If there is a fault with the ABS system the warning light will be illuminated and the general warning symbol will flash.

How to Ride the Motorcycle

Warning

The ABS warning light will illuminate when the rear wheel is driven at high speed for more than 30 seconds when the motorcycle is on a stand. This reaction is normal.

When the ignition is switched off and the motorcycle is restarted, the warning light will illuminate until the motorcycle reaches a speed exceeding 19 mph (30 km/h).

Warning

The ABS system operates by comparing the relative speed of the front and rear wheels.

Use of non-recommended tires can affect wheel speed and cause the ABS function not to operate, potentially leading to loss of control and an accident in conditions where the ABS would normally function.

Parking

Warning

Do not park on a soft or steeply inclined surface.

Parking under these conditions may cause the motorcycle to fall over causing damage to property and personal injury.

Warning

Gasoline is extremely flammable and can be explosive under certain conditions.

If parking inside a garage or other structure, be sure it is well ventilated and the motorcycle is not close to any source of flame or sparks. This includes any appliance with a pilot light.

Failure to follow the above advice may cause a fire resulting in damage to property or personal injury.

How to Ride the Motorcycle

Warning

The engine and exhaust system will be hot after riding.

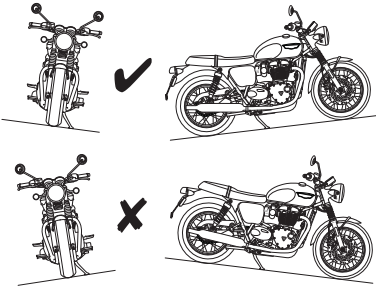
DO NOT park where pedestrians and children are likely to touch the motorcycle.

Touching any part of the engine or exhaust system when hot may cause unprotected skin to become burnt.

- Do not park on a lateral (sideways) incline of greater than 6° and never park facing downhill.
- Make sure that the side stand is fully retracted before riding off.
- Do not leave the switch in the PARK position (if equipped) for long periods of time as this will discharge the battery.

Note

When parking near traffic at night, or when parking in a location where parking lights are required by law, leave the rear, license plate and position lights on by turning the ignition switch to PARK (if equipped).



To park the motorcycle:

- Select neutral and turn the ignition switch to the OFF position.
- Lock the steering to help prevent theft.
- Always park on a firm, level surface to prevent the motorcycle from falling.
- When parking on a hill, always park facing uphill to prevent the motorcycle from rolling off the stand. Engage first gear to prevent the motorcycle from moving.
- On a lateral (sideways) incline, always park such that the incline naturally pushes the motorcycle towards the sidestand.

How to Ride the Motorcycle

Considerations for High Speed Operation

Warning

This Triumph motorcycle should be operated within the legal speed limits for the particular road traveled.

Operating a motorcycle at high speeds can be potentially dangerous since the time available to react to given traffic situations is greatly reduced as road speed increases.

Always reduce speed in potentially hazardous driving conditions such as bad weather or heavy traffic.

Warning

Only operate this Triumph motorcycle at high speed in closed-course on-road competition or on closed-course racetracks.

High speed operation should only then be attempted by riders who have been instructed in the techniques necessary for high speed riding and are familiar with the motorcycle's characteristics in all conditions.

High speed operation in any other circumstances is dangerous and will lead to loss of motorcycle control and an accident.

Warning

The handling characteristics of a motorcycle at high speed may vary from those you are familiar with at legal road speeds.

Do not attempt high speed operation unless you have received sufficient training and have the required skills as a serious accident may result from incorrect operation.

Warning

The items listed below are extremely important and must never be neglected. A problem, which may not be noticed at normal operating speeds, may be greatly exaggerated at high speeds.

General

Make sure that the motorcycle has been maintained according to the scheduled maintenance chart.

Brakes

Check that the front and rear brakes are functioning correctly.

Coolant

Check that the coolant level is at the upper level line in the expansion tank. Always check the level with the engine cold.

Electrical Equipment

Make sure that all electrical equipment such as the headlight, rear/brake light, turn signals and horn all work correctly.

How to Ride the Motorcycle

Engine Oil

Check that the engine oil level is correct. Make sure that the correct grade and type of oil is used when topping off.

Drive Chain

Make sure that the drive chain is correctly adjusted and lubricated. Inspect the chain for wear and damage.

Fuel

Have sufficient fuel for the increased fuel consumption that will result from high speed operation.

Caution

In many countries, the exhaust system for this model is equipped with a catalytic converter to help reduce exhaust emission levels.

The catalytic converter can be permanently damaged if the motorcycle is allowed to run out of fuel or if the fuel level is allowed to get very low.

Always make sure you have adequate fuel for your trip.

Luggage

Make sure that any luggage containers are closed, locked and securely installed on the motorcycle.

Miscellaneous

Visually check that all fasteners are tight.

Steering

Check that the handlebar turns smoothly without excessive free play or tight spots. Make sure that the control cables do not restrict the steering in any way.

Tires

High speed operation is hard on tires, and tires that are in good condition are crucial to riding safely. Examine their overall condition, inflate to the correct pressure (when the tires are cold), and check the wheel balance. Securely install the valve caps after checking tire pressures. Observe the information given in the maintenance and specification sections on tire checking and tire safety.

This page intentionally left blank

Accessories, Loading and Passengers

The addition of accessories and carrying of additional weight can affect the motorcycle's handling characteristics causing changes in stability and necessitating a reduction in speed. The following information has been prepared as a guide to the potential hazards of adding accessories to a motorcycle and carrying passengers and additional loads.

Accessories

Warning

Never ride an accessory equipped motorcycle, or a motorcycle carrying a payload of any kind, at speeds above 80 mph (130 km/h). In either/both of these conditions, speeds in excess of 80 mph (130 km/h) should not be attempted even where the legal speed limit permits this.

The presence of accessories and/or payload will cause changes in the stability and handling of the motorcycle.

Warning Continued

Failure to allow for changes in motorcycle stability may lead to loss of motorcycle control and an accident. When riding at high speed, always be aware that various motorcycle configuration and environmental factors can adversely affect the stability of your motorcycle. For example:

- Incorrectly balanced loads on both sides of the motorcycle
- Incorrectly adjusted front and rear suspension settings
- Incorrectly adjusted tire pressures
- Excessively or unevenly worn tires
- Side winds and turbulence from other vehicles
- Loose clothing.

Remember that the 80 mph (130 km/h) absolute limit will be reduced by the installation of non-approved accessories, incorrect loading, worn tires, overall motorcycle condition and poor road or weather conditions.

Accessories, Loading and Passengers

Warning

Do not install accessories or carry luggage that impairs the control of the motorcycle.

Make sure that you have not adversely affected any lighting component, road clearance, banking capability (i.e. lean angle), control operation, wheel travel, front fork movement, visibility in any direction, or any other aspect of the motorcycle's operation.

Loading

The total weight of the rider, and any passenger, accessories and luggage must not exceed the maximum load limit shown in the Specification section.

Warning

Always make sure that any loads carried are evenly distributed on both sides of the motorcycle. Make sure that the load is correctly secured so that it will not move around while the motorcycle is in motion.

Evenly distribute the load within each pannier (if equipped). Pack heavy items at the bottom and on the inboard side of the pannier.

Always check the load security regularly (though not while the motorcycle is in motion) and make sure that the load does not extend beyond the rear of the motorcycle.

Never exceed the maximum vehicle loading weight as specified in the Specifications section.

This maximum loading weight is made up from the combined weight of the rider, passenger, any accessories installed and any load carried.

For models that have adjustable suspension settings, make sure that front and rear spring preload and damping settings are suitable for the loading condition of the motorcycle. Note the maximum permissible payload for the panniers is stated on a label inside the pannier.

Incorrect loading may result in an unsafe riding condition leading to an accident.

Accessories, Loading and Passengers

Warning

If the passenger seat or luggage rack (if equipped) is used to carry small objects, they must not exceed a total maximum weight of:

Bonneville T120(all models), Street Scrambler, Street Scrambler Sandstorm, Street Twin and Street Twin Goldline - 6 lb (3 kg)

Speed Twin and Thruxton RS - 4 lb (2 kg).

This total weight (combined on the seat and luggage rack if equipped), must not impair control of the motorcycle, must be securely attached and must not extend beyond the rear or sides of the motorcycle.

Carrying objects in excess of the above weights, that are insecure, impair control or extend beyond the rear or sides of the motorcycle may lead to loss of motorcycle control and an accident.

Even if small objects are correctly loaded onto the rear seat, the maximum speed of the motorcycle must be reduced to 80 mph (130 km/h).

Warning

Never attempt to store any items between the frame and the fuel tank.

This can restrict the steering and will cause loss of control leading to an accident.

Weight attached to the handlebar or front fork will increase the mass of the steering assembly and can result in loss of steering control leading to an accident.

Passengers

Warning

Your passenger should be instructed that they can cause loss of motorcycle control by making sudden movements or by adopting an incorrect seated position.

The rider should instruct the passenger as follows:

- It is important that the passenger sits still while the motorcycle is in motion and does not interfere with the operation of the motorcycle.
- To keep their feet on the passenger footrests and to firmly hold onto the seat strap or the rider's waist or hips.
- Advise the passenger to lean with the rider when traveling around corners and not to lean unless the rider does so.

Accessories, Loading and Passengers

Warning

Do not carry a passenger unless they are tall enough to reach the footrests provided.

A passenger who is not tall enough to reach the footrests will be unable to sit securely on the motorcycle and may cause instability leading to loss of control and an accident.

Warning

Do not carry animals on your motorcycle.

An animal could make sudden and unpredictable movements that could lead to loss of motorcycle control and an accident.

Warning

The handling and braking capabilities of a motorcycle will be affected by the presence of a passenger.

The rider must make allowances for these changes when operating the motorcycle with a passenger and should not attempt such operation unless trained to do so and without becoming familiar and comfortable with the changes in motorcycle operating characteristics that this brings about.

Motorcycle operation without making allowances for the presence of a passenger could lead to loss of motorcycle control and an accident.

Maintenance and Adjustment

Table of Contents

Scheduled Maintenance.....	99
Scheduled Maintenance Table.....	101
Engine Oil.....	103
Engine Oil Level Inspection.....	103
Engine Oil and Oil Filter Change.....	104
Disposal of Used Engine Oil and Oil Filters.....	106
Engine Oil Specification and Grade (10W/40 & 10W/50).....	106
Cooling System.....	107
Coolant Level Inspection.....	108
Coolant Level Adjustment.....	109
Coolant Change.....	110
Throttle Control.....	111
Throttle Inspection.....	111
Clutch.....	112
Clutch Inspection.....	112
Clutch Adjustment.....	112
Drive Chain.....	113
Drive Chain Lubrication.....	113
Drive Chain Free Movement Inspection.....	114
Drive Chain Free Movement Adjustment.....	115
Drive Chain and Sprocket Wear Inspection.....	116
Brakes.....	117
Breaking-in New Brake Pads and Discs.....	118
Brake Pad Wear Compensation.....	119
Disc Brake Fluid.....	119
Front Brake Fluid Level Inspection and Adjustment.....	120
Front Brake Fluid Level Inspection and Adjustment.....	122
Front Brake Fluid Level Inspection and Adjustment.....	123
Rear Brake Fluid Level Inspection and Adjustment.....	124
Brake Light Switches.....	125
Mirrors.....	126
Steering/Wheel Bearings.....	128
Steering Inspection.....	128
Wheel Bearings Inspection.....	129

Maintenance and Adjustment

Front Suspension.....	130
Front Suspension Settings - Thruxton RS.....	130
Front Suspension Preload Adjustment - Thruxton RS Only.....	131
Front Suspension Rebound and Compression Damping Adjustment - Thruxton RS Only.....	131
Front Fork Inspection.....	132
Rear Suspension.....	133
Rear Suspension Settings.....	133
Rear Suspension Preload Adjustment.....	134
Rear Suspension Rebound Damping Adjustment - Thruxton RS Only.....	135
Rear Suspension Compression Damping Adjustment - Thruxton RS Only.....	135
Bank Angle Indicators.....	136
Tires.....	136
Tire Inflation Pressures.....	137
Tire Pressure Monitoring System (TPMS) (if equipped).....	138
Tire Wear.....	139
Minimum Recommended Tread Depth.....	139
Tire Replacement.....	139
Battery.....	142
Battery Removal.....	143
Battery Disposal.....	144
Battery Maintenance.....	144
Battery Discharge.....	144
Battery Discharge During Storage and Infrequent Use of the Motorcycle.....	145
Battery Charging.....	145
Battery Installation.....	146
Fuses.....	147
Headlights.....	148
Headlight/Position Light Bulb Replacement.....	148
Headlight Adjustment.....	150
Tail Lights.....	151
Multifunctional Tail Lights (if equipped).....	151
Turn Signal Lights.....	151
License Plate Light.....	152

Scheduled Maintenance

Warning

Triumph Motorcycles cannot accept any responsibility for damage or injury resulting from incorrect maintenance or improper adjustment carried out by the owner.

Incorrect or neglected maintenance can lead to a dangerous riding condition.

Always have an authorized Triumph dealer carry out the scheduled maintenance of this motorcycle.

Warning

All maintenance is vitally important and must not be neglected. Incorrect maintenance or adjustment may cause one or more parts of the motorcycle to malfunction. A malfunctioning motorcycle may lead to loss of control and an accident.

Weather, terrain and geographical location affect maintenance. The maintenance schedule should be adjusted to match the particular environment in which the motorcycle is used and the demands of the individual owner.

Special tools, knowledge and training are required in order to correctly carry out the maintenance items listed in the scheduled maintenance chart. Only an authorized Triumph dealer will have this knowledge and equipment.

Incorrect or neglected maintenance can lead to a dangerous riding condition. Always have an authorized Triumph dealer carry out the scheduled maintenance of this motorcycle.

To maintain the motorcycle in a safe and reliable condition, the maintenance and adjustments outlined in this section must be carried out as specified in the schedule of daily checks, and also in line with the scheduled maintenance chart. The information that follows describes the procedures to follow when carrying out the daily checks and some simple maintenance and adjustment items.

Maintenance and Adjustment


Scheduled maintenance may be carried out by your authorized Triumph dealer in three ways; annual maintenance, mileage based maintenance or a combination of both, depending on the mileage the motorcycle travels each year.


1. Motorcycles traveling less than 10,000 miles (16,000 km) per year must be maintained annually. In addition to this, mileage based items require maintenance at their specified intervals, as the motorcycle reaches this mileage.
2. Motorcycles traveling approximately 10,000 miles (16,000 km) per year must have the annual maintenance and the specified mileage based items carried out together.
3. Motorcycles traveling more than 10,000 miles (16,000 km) per year must have the mileage based items maintained as the motorcycle reaches the specified mileage. In addition to this, annual based items will require maintenance at their specified annual intervals.

In all cases maintenance must be carried out at or before the specified maintenance intervals shown. Consult an authorized Triumph dealer for advice on which maintenance schedule is most suitable for your motorcycle.

Triumph Motorcycles cannot accept any responsibility for damage or injury resulting from incorrect maintenance or improper adjustment.

Service Symbol/General Warning Symbol

 The service symbol will illuminate for five seconds after the motorcycle start up sequence as a reminder that a service is due in approximately 60 miles (100 km). The service symbol will illuminate permanently when the mileage is reached, it will remain permanently illuminated until the service interval is reset using the Triumph Diagnostic tool.

 The general warning symbol will flash if an ABS or engine management fault has occurred and the ABS and/or MIL warning lights are illuminated. Contact an authorized Triumph dealer as soon as possible to have the fault checked and rectified.

Maintenance and Adjustment

Scheduled Maintenance Table

Operation Description	Odometer Reading in Miles (Km) or Time Period, whichever comes first					
		First Service	Annual Service	Mileage Based Service		
	Every	600 (1000) 6 Months	Year	10,000 and 30,000 (16,000 and 48,000)	20,000 (32,000)	40,000 (64,000)
Lubrication						
Engine - check for leaks	Day	•	•	•	•	•
Engine oil - replace	-	•	•	•	•	•
Engine oil filter - replace	-	•	•	•	•	•
Fuel System and Engine Management						
Fuel system - check for leaks	-			•	•	•
Air filter - replace (replace more often if consistently riding in wet or dusty conditions)	-			•	•	•
Fuel filter - replace	-				•	•
Spark plugs - replace	-				•	•
Cooling System						
Cooling system - check for leaks	Day	•	•	•	•	•
Cooling system - check hoses for chafing/cracks/damage. Replace if necessary	-			•	•	•
Coolant level - check/adjust	Day	•	•	•	•	•
Coolant - replace		Every 3 years regardless of mileage				
Engine						
Clutch - check operation	Day	•	•	•	•	•
Clutch lever pivot - lubricate	-		•		•	•
Valve clearances - check/adjust	-				•	•
Camshaft timing	-				•	•
Wheels and Tires						
Wheels - inspect for damage	Day	•	•	•	•	•
Wheel bearings - check for wear/smooth operation	-				•	•
Wheels - check wheels for broken or damaged spokes and check spoke tightness (models with spoked wheels only)	Day	•	•	•	•	•
Tire wear/tire damage - check	Day	•	•	•	•	•
Tire pressures - check/adjust	Day	•	•	•	•	•
Steering and Suspension						
Steering - check for free operation	Day	•	•	•	•	•
Front and rear suspension - check for damage/leaks/smooth operation	Day	•	•	•	•	•
Fork oil - replace	-					•
Steering head bearings - check/adjust - except first service	-				•	•
Brakes						
Brake system - check operation	Day	•	•	•	•	•
Brake pads - check wear levels	Day	•	•	•	•	•
Brake fluid levels - check	Day	•	•	•	•	•
Brake fluid - replace		Every 2 years regardless of mileage				

Maintenance and Adjustment

Operation Description	Odometer Reading in Miles (Km) or Time Period, whichever comes first					
		First Service	Annual Service	Mileage Based Service		
	Every	600 (1000) 6 Months	Year	10,000 and 30,000 (16,000 and 48,000)	20,000 (32,000)	40,000 (64,000)
Drive Chain						
Drive chain slack - check/adjust	Day	•	•	•	•	•
Drive chain - wear check	Every 500 miles (800 km)					
Drive chain - lubricate	Every 200 miles (300 km)					
Drive chain rubbing strip - check for wear, cracks or damage	-	•	•	•	•	•
Electrical						
Lights, instruments and electrical systems - check	Day	•	•	•	•	•
General						
Autoscan - Carry out a full Autoscan using the Triumph Diagnostic Tool (print a customer copy)	-	•	•	•	•	•
Instruments and engine ECM - check for latest calibration download using the Triumph diagnostic tool	-	•	•	•	•	•
Bank angle indicators - inspect visually for wear	Day	•	•	•	•	•
Side stand/Center stand - check for wear/smooth operation	Day	•	•	•	•	•
Carry out all outstanding Service Bulletin and warranty work	-	•	•	•	•	•
Carry out road test	-	•	•	•	•	•
Complete the service record book and reset the service indicator (if equipped)	-	•	•	•	•	•

Engine Oil



Warning

Motorcycle operation with insufficient, deteriorated, or contaminated engine oil will cause accelerated engine wear and may result in engine or transmission seizure.

Seizure of the engine or transmission may lead to sudden loss of motorcycle control and an accident.

In order for the engine, transmission, and clutch to function correctly, maintain the engine oil at the correct level, and change the engine oil and oil filter in accordance with scheduled maintenance requirements.

Engine Oil Level Inspection

Warning

Never start the engine or run the engine in a confined area.

Exhaust fumes are poisonous and can cause loss of consciousness and death within a short period of time.

Always operate the motorcycle in the open air or in an area with adequate ventilation.

Warning

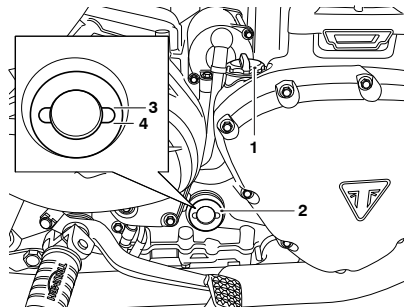
If the engine has recently been running, the exhaust system will be hot.

Before working on or near the exhaust system, allow sufficient time for the exhaust system to cool as touching any part of a hot exhaust system could cause burn injuries.

Caution

Running the engine with insufficient engine oil will cause engine damage.

If the low oil pressure indicator remains on, stop the engine immediately and investigate the situation.



1. Filler plug
2. Sight glass
3. Maximum limit
4. Minimum limit

Maintenance and Adjustment

To inspect the engine oil level:

- Start the engine and run at idle for approximately five minutes. Stop the engine and wait for at least three minutes to allow the engine oil to settle.
- Note the engine oil level visible in the sight glass.
- When correct, engine oil should be visible in the sight glass at a point midway between the upper (maximum) and lower (minimum) markings on the sight glass.

Note

An accurate indication of the level of engine oil in the engine is only shown when the engine is at normal operating temperature and the motorcycle is upright (not on the side stand).

- If it is necessary to top off the engine oil level, remove the filler plug and add engine oil, a little at a time, until the level registered in the sight glass is correct.

Caution

Make sure no foreign matter or contamination enters the engine during an engine oil change or top off. Contamination entering the engine may lead to engine damage.

- Once the correct level is reached, install and tighten the filler plug.

Engine Oil and Oil Filter Change

Warning

Prolonged or repeated contact with engine oil can lead to skin dryness, irritation and dermatitis.

Used engine oil contains harmful contamination that can lead to skin cancer.

Always wear suitable protective clothing and avoid skin contact with used oil.

Warning

The oil may be hot to the touch.

Avoid contact with the hot oil by wearing suitable protective clothing, gloves, eye protection, etc.

Contact with hot oil may cause the skin to be scalded or burned.

Warning

If the engine has recently been running, the exhaust system will be hot.

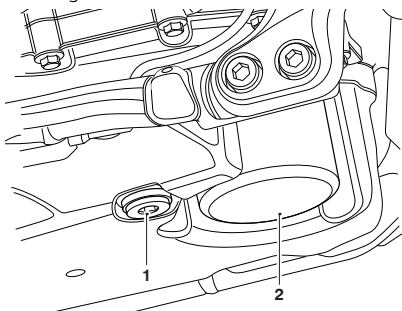
Before working on or near the exhaust system, allow sufficient time for the exhaust system to cool as touching any part of a hot exhaust system could cause burn injuries.

The engine oil and filter must be replaced in accordance with scheduled maintenance requirements.

Maintenance and Adjustment

To change the engine oil and filter:

- Warm up the engine thoroughly then stop the engine. Secure the motorcycle on the side stand.
- Allow the engine oil to settle for five minutes before draining.
- Place an oil drain pan beneath the engine.



1. Sump plug
2. Engine oil filter

- Remove the sump plug from the bottom of the sump and allow the engine oil to drain.
 - Secure the motorcycle in an upright position on level ground.
 - Position the oil drain pan beneath the engine oil filter.
 - Unscrew and remove the engine oil filter using the Triumph service tool T3880313. Dispose of the old filter in an environmentally friendly way.
 - Prefill the replacement engine oil filter with new engine oil.
 - Apply a smear of clean engine oil to the sealing ring of the new engine oil filter. Install the engine oil filter and tighten to 89 lbf in (10 Nm).
- After the engine oil has completely drained out, install a new sealing washer to the sump plug. Install and tighten the plug to 18 lbf ft (25 Nm).
 - Remove the engine oil filler plug.
 - Using a suitable funnel, fill the engine with a 10W/40 or 10W/50 semi or fully synthetic motorcycle engine oil that meets specification API SH (or higher) and JASO MA, such as Castrol Power 1 Racing 4T 10W-40 (fully synthetic) engine oil, sold as Castrol Power RS Racing 4T 10W-40 (fully synthetic) in some countries.
 - Do not overfill or exceed the capacities given in the Specifications section.
 - Start the engine and allow it to idle for a minimum of 30 seconds.

Caution

Raising the engine speed above idle, before the engine oil reaches all parts of the engine can cause engine damage or seizure.

Only raise engine speed after running the engine for 30 seconds to allow the engine oil to circulate fully.

- Make sure that the low oil pressure warning light extinguishes shortly after starting.

Maintenance and Adjustment

Caution

If the engine oil pressure is too low, the low oil pressure warning light will illuminate. If this light stays on when the engine is running, stop the engine immediately and investigate the cause.

Running the engine with low oil pressure will cause engine damage.

- Turn the ignition OFF, check the engine oil level using the method previously described, and top off to between the minimum and maximum level lines in the sight glass.

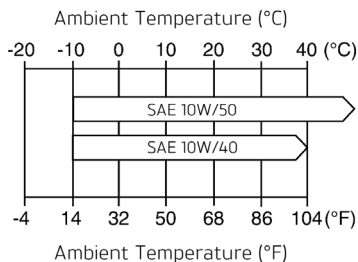
Disposal of Used Engine Oil and Oil Filters

To protect the environment, do not pour oil on the ground, down sewers or drains, or into groundwater sources. Do not place used oil filters in with general waste. If in doubt, contact your local authority.

Engine Oil Specification and Grade (10W/40 & 10W/50)

Triumph's high performance fuel injected engines are designed to use 10W/40 or 10W/50 semi or fully synthetic motorcycle engine oil that meets specification API SH (or higher) and JASO MA, such as Castrol Power 1 Racing 4T 10W-40 (fully synthetic) engine oil, sold as Castrol Power RS Racing 4T 10W-40 (fully synthetic) in some countries.

Refer to the chart below for the correct oil viscosity (10W/40 or 10W/50) to be used in your riding area.



Oil Viscosity Temperature Range

Do not add any chemical additives to the engine oil. The engine oil also lubricates the clutch and any additives could cause the clutch to slip.

Do not use mineral, vegetable, non-detergent oil, castor based oils or any oil not conforming to the required specification. The use of these oils may cause instant, severe engine damage.

Make sure that no foreign matter enters the crankcase during an engine oil change or top off.

Cooling System



To ensure efficient engine cooling, check the coolant level each day before riding the motorcycle, and top off the coolant if the level is low.

Note

A year round, Hybrid Organic Acid Technology (known as Hybrid OAT or HOAT) coolant is installed in the cooling system when the motorcycle leaves the factory. It is colored green, contains a 50% solution of ethylene glycol based antifreeze, and has a freezing point of -31°F (-35°C).

Corrosion Inhibitors

Warning

HD4X Hybrid OAT coolant contains corrosion inhibitors and antifreeze suitable for aluminum engines and radiators. Always use the coolant in accordance with the instructions of the manufacturer.

Coolant contains toxic chemicals that are harmful to the human body.

Contact with skin or eyes may cause severe irritation. Wear protective gloves, clothing and eye protection when handling coolant.

If coolant is inhaled, remove the person to fresh air and keep comfortable for breathing. In case of doubt or persistent symptoms, seek medical attention.

If coolant gets on your skin, flush with water immediately. Remove contaminated clothing.

If coolant gets in your eyes, flush with water for at least 15 minutes and SEEK MEDICAL ATTENTION IMMEDIATELY.

If coolant is swallowed, rinse the mouth with water and SEEK MEDICAL ATTENTION IMMEDIATELY.

KEEP COOLANT OUT OF THE REACH OF CHILDREN.

Note

HD4X Hybrid OAT coolant, as supplied by Triumph, is premixed and does not need to be diluted prior to filling or topping off the cooling system.

To protect the cooling system from corrosion, the use of corrosion inhibitor chemicals in the coolant is essential.

Maintenance and Adjustment

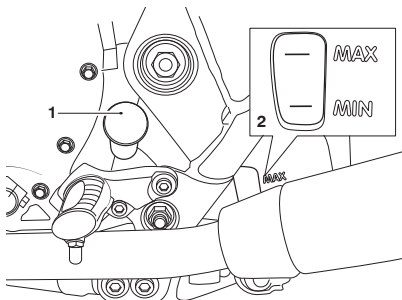
If coolant containing a corrosion inhibitor is not used, the cooling system will accumulate rust and scale in the water jacket and radiator. This will block the coolant passages, and considerably reduce the efficiency of the cooling system.

Coolant Level Inspection

Note

The coolant level should be checked when the engine is cold (at room or ambient temperature).

**Bonneville T100 (all models),
Bonneville T120 (all models), Street Twin
and Street Twin Goldline**



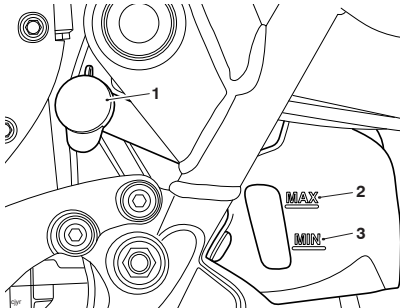
1. Expansion tank cap
2. MAX and MIN marks

To inspect the coolant level:

- Position the motorcycle on level ground and in an upright position. The expansion tank can be viewed from the left hand side of the motorcycle, towards the rear of the engine.

- Check the coolant level in the expansion tank. The coolant level must be between the MAX and MIN marks. If the coolant is below the minimum level, the coolant level must be adjusted.

Street Scrambler and Street Scrambler Sandstorm

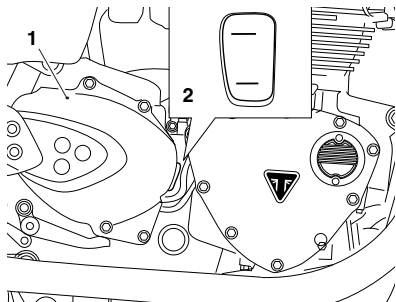


1. Expansion tank cap
2. MAX mark
3. MIN mark

To inspect the coolant level:

- Position the motorcycle on level ground and in an upright position. The expansion tank can be viewed from the left hand side of the motorcycle, towards the rear of the engine.
- Check the coolant level in the expansion tank. The coolant level must be between the MAX and MIN marks. If the coolant is below the minimum level, the coolant level must be adjusted.

Speed Twin and Thruxton RS



1. Expansion tank cap
2. MAX and MIN marks

To inspect the coolant level:

- Position the motorcycle on level ground and in an upright position. The expansion tank can be viewed from the right hand side of the motorcycle, towards the rear of the engine.
- Check the coolant level in the expansion tank. The coolant level must be between the maximum (top) and minimum (bottom) marks. If the coolant is below the minimum level, the coolant level must be adjusted.

Coolant Level Adjustment

Warning

Do not remove the expansion tank or radiator pressure cap when the engine is hot.

When the engine is hot, the coolant inside the radiator will be hot and also under pressure.

Contact with this hot, pressurized coolant will cause scalds and skin damage.

Caution

If hard water is used in the cooling system, it will cause scale accumulation in the engine and radiator and considerably reduce the efficiency of the cooling system.

Reduced cooling system efficiency may cause the engine to overheat and suffer severe damage.

Note

If the coolant level is being checked because the coolant has overheated, also check the level in the radiator and top off if necessary.

In an emergency, distilled water can be added to the cooling system. However, the coolant must then be drained and replenished with HD4X Hybrid OAT coolant as soon as possible.

Maintenance and Adjustment

All Models except Speed Twin and Thruxton RS

To adjust the coolant level:

- Allow the engine to cool.
- The expansion tank cap can be removed from the left hand side of the motorcycle, towards the rear of the engine.
- Remove the cap from the expansion tank and add coolant mixture through the filler opening until the level reaches the MAX mark. Reinstall the cap.

Speed Twin and Thruxton RS

To adjust the coolant level:

- The expansion tank cap can be removed from the right hand side of the motorcycle, towards the rear of the engine.
- Remove the sprocket cover.
- Remove the cap from the expansion tank and add coolant mixture through the filler opening until the level reaches the maximum (top) mark.
- Reinstall the cap. Reinstall the sprocket cover to 80 lbf in (9 Nm).

Coolant Change

It is recommended that the coolant is changed by an authorized Triumph dealer in accordance with scheduled maintenance requirements.

Radiator and Hoses

Warning

The fan operates automatically when the engine is running.

Always keep hands and clothing away from the fan.

Contact with the rotating fan may cause an accident and/or personal injury.

Caution

Using high pressure water sprays, such as from a car wash facility or household pressure washer, can damage the radiator fins, cause leaks and impair the radiator's efficiency.

Do not obstruct or deflect airflow through the radiator by installing unauthorized accessories, either in front of the radiator or behind the cooling fan.

Interference with the radiator airflow can cause overheating, potentially resulting in engine damage.

Check the radiator hoses for cracks or deterioration, and tension clips for tightness in accordance with scheduled maintenance requirements. Have your authorized Triumph dealer replace any defective items.

Check the radiator grille and fins for obstructions by insects, leaves or mud. Clean off any obstructions with a stream of low pressure water.

Throttle Control

Warning

Always be alert for changes in the 'feel' of the throttle control and have the throttle system checked by an authorized Triumph dealer if any changes are detected.

Changes can be due to wear in the mechanism, which could lead to a sticking throttle control.

A sticking or stuck throttle control will lead to loss of motorcycle control and an accident.

Throttle Inspection

Warning

Use of the motorcycle with a sticking or damaged throttle control will interfere with the throttle function resulting in loss of motorcycle control and an accident.

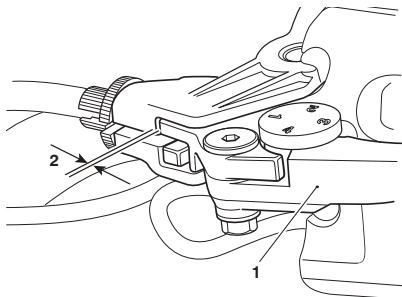
To avoid continued use of a sticking or damaged throttle control, always have it checked by your authorized Triumph dealer.

To inspect the throttle:

- Check that the throttle opens smoothly, without undue force and that it closes without sticking. Have your authorized Triumph dealer check the throttle system if a problem is detected or any doubt exists.
- If there is an incorrect amount of free play, Triumph recommends that you have your authorized Triumph dealer investigate.
- Check that there is 0.04 - 0.08 in (1 - 2 mm) of throttle grip free play when lightly turning the throttle grip back and forth.

Maintenance and Adjustment

Clutch



1. Clutch lever
2. 0.08 - 0.12 in (2 - 3 mm)

The motorcycle is equipped with a cable-operated clutch.

If the clutch lever has excessive free play, the clutch may not disengage fully. This will cause difficulty in shifting gear and selecting neutral. This may cause the engine to stall and make the motorcycle difficult to control.

Conversely, if the clutch lever has insufficient free play the clutch may not engage fully, causing the clutch to slip, which will reduce performance and cause premature clutch wear.

Clutch lever free play must be checked in accordance with scheduled maintenance requirements.

Clutch Inspection

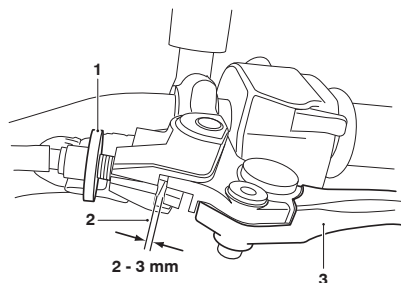
Check that there is 0.08 - 0.12 in (2 - 3 mm) clutch lever free play at the lever.

If there is an incorrect amount of free play, adjustments must be made.

Clutch Adjustment

To adjust the clutch:

- Turn the adjuster sleeve until the correct amount of clutch lever free play is achieved.
- Check that there is 0.08 - 0.12 in (2 - 3 mm) clutch lever free play at the lever.
- If there is an incorrect amount of free play, adjustments must be made.



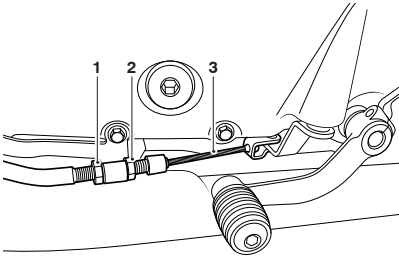
1. Adjuster sleeve (lock nut fully loosened)
2. Correct clearance 0.08 - 0.12 in (2 - 3 mm)
3. Clutch lever

If correct adjustment cannot be made using the lever adjuster, use the cable adjuster at the lower end of the cable.

- Loosen the adjuster lock nut.
- Turn the outer cable adjuster to give 0.08 - 0.12 in (2 - 3 mm) of free play at the clutch lever.

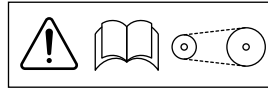
Maintenance and Adjustment

- Tighten the lock nut to 31 lbf in (3.5 Nm).



1. Adjuster nut
2. Lock nut
3. Clutch cable

Drive Chain



Warning

A loose or worn chain, or a chain that breaks or jumps off the sprockets could catch on the engine sprocket or lock the rear wheel.

A chain that snags on the engine sprocket will injure the rider and lead to loss of motorcycle control and an accident.

Similarly, locking the rear wheel will lead to loss of motorcycle control and an accident.

For safety and to prevent excessive wear the drive chain must be checked, adjusted and lubricated in accordance with the scheduled maintenance requirements. Checking, adjustment and lubrication must be carried out more frequently for extreme conditions such as high speed riding, salty or heavily gritted roads.

If the chain is badly worn or incorrectly adjusted (either too loose or too tight) the chain could jump off the sprockets or break. Therefore, always replace worn or damaged chains using genuine Triumph parts supplied by an authorized Triumph dealer.

Drive Chain Lubrication

Lubrication is necessary every 200 miles (300 km) and also after riding in wet weather, on wet roads, or any time that the chain appears dry.

Maintenance and Adjustment

To lubricate the drive chain:

- Use the special drive chain lubricant as recommended in the Specifications section.
- Apply lubricant to the sides of the rollers then allow the motorcycle to stand unused for at least eight hours (overnight is ideal). This will allow the lubricant to penetrate to the drive chain O-rings etc.
- Before riding, wipe off any excess lubricant.
- If the drive chain is especially dirty, clean first and then apply lubricant as mentioned above.

⚠ Caution

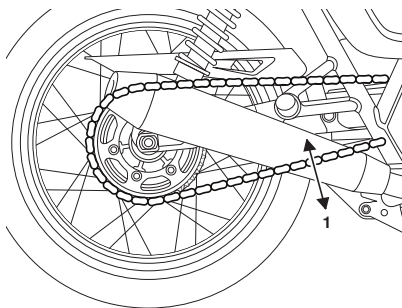
Do not use a pressure washer to clean the drive chain as this may cause damage to the drive chain components.

Drive Chain Free Movement Inspection

⚠ Warning

Before starting work, make sure the motorcycle is stabilized and adequately supported.

This will help prevent it from falling and causing personal injury and/or damage to the motorcycle.



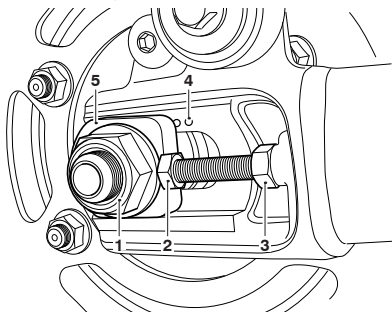
1. Maximum movement position

To inspect the drive chain free movement:

- Place the motorcycle on a level surface and hold it in an upright position with no weight on it.
- Rotate the rear wheel by pushing the motorcycle to find the position where the drive chain is tightest, and measure the vertical movement of the drive chain midway between the sprockets.

Drive Chain Free Movement Adjustment

The vertical movement of the drive chain must be in the range 0.79 - 1.18 in (20 - 30 mm).



1. Rear wheel spindle nut
2. Adjuster bolt
3. Adjuster bolt lock nut
4. Adjuster markings
5. Spindle adjuster

If the drive chain free movement measurement is incorrect, adjustments must be made as follows:

- Loosen the wheel spindle nut.
- Loosen the lock nuts on both the left hand and right hand drive chain adjuster bolts.
- Move both adjusters by an equal amount using the adjuster markings as a guideline.
- Turn the adjuster bolts clockwise to increase drive chain free movement and counterclockwise to reduce drive chain free movement.
- When the correct amount of drive chain free movement has been set, push the wheel into firm contact with the adjusters.

- Make sure the same adjuster marking is aligned with the spindle adjuster on both sides of the swinging arm.
- Tighten both adjuster lock nuts to 15 lbf ft (20 Nm) and the rear wheel spindle nut to 81 lbf ft (110 Nm).
- Repeat the drive chain adjustment check. Readjust if necessary.

Warning

Operation of the motorcycle with insecure adjuster lock nuts or a loose wheel spindle may result in impaired stability and handling of the motorcycle.

This impaired stability and handling may lead to loss of control or an accident.

- Check the rear brake effectiveness. Rectify if necessary.

Warning

It is dangerous to operate the motorcycle with defective brakes; you must have your authorized Triumph dealer take remedial action before you attempt to ride the motorcycle again.

Failure to take remedial action may reduce braking efficiency leading to loss of motorcycle control or an accident.

Maintenance and Adjustment

Drive Chain and Sprocket Wear Inspection

Warning

Never neglect drive chain maintenance and always have drive chains installed by an authorized Triumph dealer.

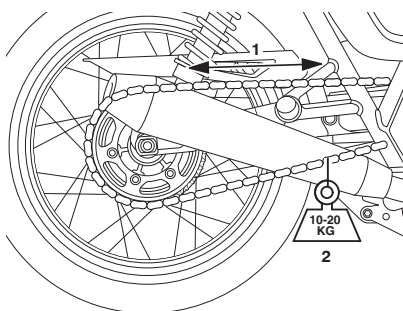
Use a genuine Triumph supplied drive chain as specified in the Triumph Parts Catalog.

The use of non-approved drive chains may result in a broken drive chain or may cause the drive chain to jump off the sprockets leading to loss of motorcycle control or an accident.

Caution

If the sprockets are found to be worn, always replace the sprockets and drive chain together.

Replacing worn sprockets without also replacing the drive chain will lead to premature wear of the new sprockets.

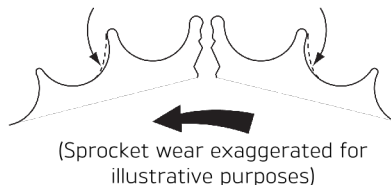


1. Measure across 20 links
2. Weight

To inspect the drive chain and sprocket wear:

- Remove the drive chain guard.
- Stretch the drive chain taut by hanging a 20 - 40 lb (10 - 20 kg) weight on the drive chain.
- Measure the length of 20 links on the straight part of the drive chain from pin center of the 1st pin to the pin center of the 21st pin. Since the drive chain may wear unevenly, take measurements in several places.
- If the length exceeds the maximum service limit of 12.6 in (320 mm), the drive chain must be replaced.
- Rotate the rear wheel and inspect the drive chain for damaged rollers, and loose pins and links.
- Also inspect the sprockets for unevenly or excessively worn or damaged teeth.

Worn Tooth (Engine Sprocket) Worn Tooth (Rear Sprocket)



cool

Note

The illustration shows wear on sprockets mounted on the left hand side of the motorcycle.

For sprockets mounted on the right hand side of the motorcycle, the wear is on the opposite side of the tooth.

- If there is any irregularity, have the drive chain and/or the sprockets replaced by an authorized Triumph dealer.
- Reinstall the drive chain guard and tighten the fasteners to 80 lbf in (9 Nm).

Brakes

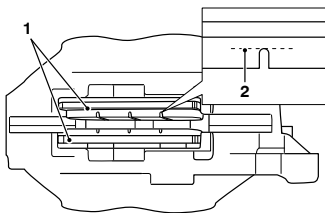
Warning

Brake pads must always be replaced as a wheel set. At the front, where two calipers are installed on the same wheel, replace all the brake pads in both calipers.

Replacing individual pads will reduce braking efficiency and may cause an accident.

After replacement brake pads have been installed, ride with extreme caution until the new pads have 'broken in'.

Brake pads must be inspected in accordance with scheduled maintenance requirements and replaced if worn to, or beyond the minimum service thickness.



1. Brake pads
2. Minimum thickness line

Maintenance and Adjustment

Bonneville T100 (all models) and Bonneville T120 (all models)

If the lining thickness of any brake pad (front or rear brakes) is less than 0.06 in (1.5 mm), that is, if the brake pad has worn down to the bottom of the grooves, replace all the brake pads on that wheel.

Street Scrambler, Street Scrambler Sandstorm, Speed Twin, Street Twin, Street Twin Goldline and Thruxton RS

If the lining thickness of any brake pad is less than 0.04 in (1.0 mm) (front) or 0.06 in (1.5 mm) (rear), replace all the brake pads on that wheel.

Note

Street Scrambler, Street Scrambler Sandstorm, Speed Twin, Street Twin and Street Twin Goldline Only

An area of the front brake backing plate is raised and will cause the front brake to squeal as notification to the rider when the brake pad(s) are below the minimum thickness. Replace all the brake pads on that wheel.

Breaking-in New Brake Pads and Discs

Warning

Brake pads must always be replaced as a wheel set. At the front, where two calipers are installed on the same wheel, replace all the brake pads in both calipers.

Replacing individual pads will reduce braking efficiency and may cause an accident.

After replacement brake pads have been installed, ride with extreme caution until the new pads have 'broken in'.

New brake discs and pads require a period of careful breaking-in that will optimize the performance and longevity of the discs and pads. The recommended distance for breaking-in new pads and discs is 200 miles (300 km).

During this period, avoid extreme braking, ride with caution and allow for greater braking distances.

Brake Pad Wear Compensation

Warning

If the brake lever or pedal feels soft when it is applied, or if the lever/pedal travel becomes excessive, there may be air in the brake lines and hoses or the brakes may be defective.

It is dangerous to operate the motorcycle under such conditions and your authorized Triumph dealer must rectify the fault before riding.

Riding with defective brakes may lead to loss of motorcycle control and an accident.

Disc and brake pad wear is automatically compensated for and has no effect on the brake lever or pedal action. There are no parts that require adjustment on the front and rear brakes.

Disc Brake Fluid

Warning

Brake fluid is hygroscopic which means it will absorb moisture from the air.

Any absorbed moisture will greatly reduce the boiling point of the brake fluid causing a reduction in braking efficiency.

Because of this, always replace brake fluid in accordance with scheduled maintenance requirements.

Always use new brake fluid from a sealed container and never use fluid from an unsealed container or from one which has been previously opened.

Do not mix different brands or grades of brake fluid.

Check for fluid leakage around brake installed, seals and joints and also check the brake hoses for splits, deterioration and damage.

Always rectify any faults before riding.

Failure to observe and act upon any of these items may cause a dangerous riding condition leading to loss of control and an accident.

Maintenance and Adjustment

Warning

If the ABS is not functioning, the brake system will continue to function as a non-ABS equipped brake system.

In this situation, braking too hard will cause the wheels to lock resulting in loss of control and an accident.

Reduce speed and do not continue to ride for longer than is necessary with the indicator light illuminated. Contact an authorized Triumph dealer as soon as possible to have the fault checked and rectified.

Inspect the level of brake fluid in both reservoirs and change the brake fluid in accordance with scheduled maintenance requirements. Use only DOT 4 fluid as recommended in the Specification section. The brake fluid must also be changed if it becomes, or is suspected of having become contaminated with moisture or any other contaminants.

Note

A special tool is required to bleed the ABS braking system. Contact your authorized Triumph dealer when the brake fluid needs replacing or the hydraulic system requires maintenance.

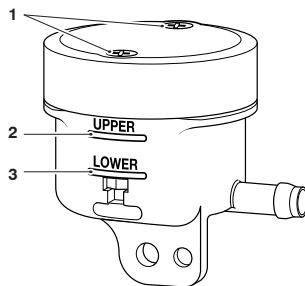
Front Brake Fluid Level Inspection and Adjustment

Warning

If there has been an appreciable drop in the level of the fluid in either fluid reservoir, consult your authorized Triumph dealer for advice before riding.

Riding with depleted brake fluid levels, or with a brake fluid leak is dangerous and will cause reduced brake performance potentially leading to loss of motorcycle control and an accident.

Street Scrambler, Street Scrambler Sandstorm, Street Twin and Street Twin Goldline



1. Reservoir cap retaining screws
2. UPPER level line
3. LOWER level line

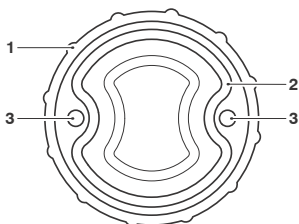
To inspect the front brake fluid level:

- Check the level of brake fluid visible in the UPPER and LOWER section of the reservoir.
- The brake fluid level in the reservoir must be kept between the UPPER and LOWER level lines (reservoir held horizontal).

Maintenance and Adjustment

To adjust the front brake fluid level:

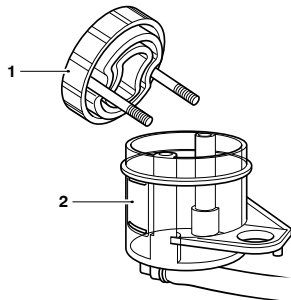
- Loosen the reservoir cap retaining screws and remove the reservoir cap and the diaphragm seal.
- Fill the reservoir to the UPPER level line using new DOT 4 brake fluid from a sealed container.
- Install the diaphragm seal into the reservoir cap and make sure that the holes for the fasteners in the reservoir cap and the diaphragm seal are correctly aligned.



1. Reservoir cap
2. Diaphragm seal
3. Reservoir cap retaining screw holes

- Install the reservoir cap retaining screws into the reservoir cap and diaphragm seal assembly.

- Hold the assembly together and position the reservoir cap, diaphragm seal and reservoir cap retaining screws onto the reservoir.



1. Reservoir cap, diaphragm seal and reservoir cap retaining screws assembly
2. Reservoir

Warning

If the reservoir cap retaining screws are over tightened this can result in a brake fluid leak.

A dangerous riding condition leading to loss of motorcycle control and an accident could result if this warning is ignored.

- Tighten the reservoir cap retaining screws to 9 lbf in (1 Nm).

Maintenance and Adjustment

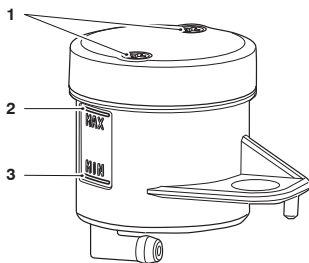
Front Brake Fluid Level Inspection and Adjustment

Speed Twin and Thruxton RS

Warning

If there has been an appreciable drop in the level of the fluid in either fluid reservoir, consult your authorized Triumph dealer for advice before riding.

Riding with depleted brake fluid levels, or with a brake fluid leak is dangerous and will cause reduced brake performance potentially leading to loss of motorcycle control and an accident.



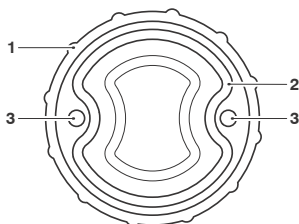
1. Reservoir cap retaining screws
2. MAX level line
3. MIN level line

To inspect the front brake fluid level:

- Check the level of brake fluid visible in the MAX and MIN section of the reservoir.
- The brake fluid level in the reservoir must be kept between the MAX and MIN level lines (reservoir held horizontal).

To adjust the front brake fluid level:

- Loosen the reservoir cap retaining screws and remove the reservoir cap and the diaphragm seal.
- Fill the reservoir to the MAX level line using new DOT 4 brake fluid from a sealed container.
- Install the diaphragm seal into the reservoir cap and make sure that the holes for the fasteners in the reservoir cap and the diaphragm seal are correctly aligned.

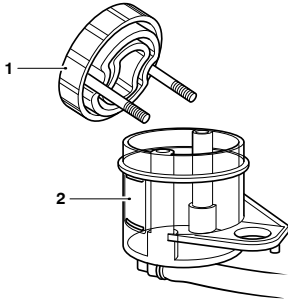


1. Reservoir cap
2. Diaphragm seal
3. Reservoir cap retaining screw holes

- Install the reservoir cap retaining screws into the reservoir cap and diaphragm seal assembly.

Maintenance and Adjustment

- Hold the assembly together and position the reservoir cap, diaphragm seal and reservoir cap retaining screws onto the reservoir.



1. Reservoir cap, diaphragm seal and reservoir cap retaining screws assembly
2. Reservoir

Warning

If the reservoir cap retaining screws are over tightened this can result in a brake fluid leak.

A dangerous riding condition leading to loss of motorcycle control and an accident could result if this warning is ignored.

- Tighten the reservoir cap retaining screws to 9 lbf in (1 Nm).

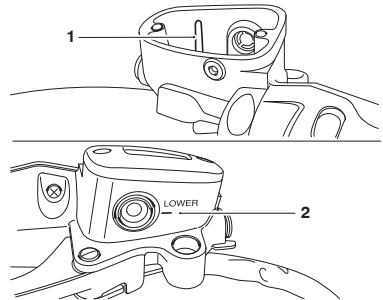
Front Brake Fluid Level Inspection and Adjustment

Warning

If there has been an appreciable drop in the level of the fluid in either fluid reservoir, consult your authorized Triumph dealer for advice before riding.

Riding with depleted brake fluid levels, or with a brake fluid leak is dangerous and will cause reduced brake performance potentially leading to loss of motorcycle control and an accident.

Bonneville T100 (all models) and Bonneville T120 (all models)



1. Upper level line
2. Lower level line

To inspect the front brake fluid level:

- Check the level of fluid visible in the window at the front of the reservoir body.
- The brake fluid level must be kept between the upper and lower level lines (reservoir held horizontal).

Maintenance and Adjustment

To adjust the front brake fluid level:

- Loosen the reservoir cap retaining screws and remove the reservoir cap and the diaphragm seal.
- Fill the reservoir to the upper level line using new DOT 4 brake fluid from a sealed container.
- Install the diaphragm seal into the reservoir cap and make sure that the holes for the fasteners in the reservoir cap and the diaphragm seal are correctly aligned.
- Install the reservoir cap retaining screws into the reservoir cap and diaphragm seal assembly.
- Hold the assembly together and position the reservoir cap, diaphragm seal and reservoir cap retaining screws onto the reservoir.
- Tighten the reservoir cap retaining screws to 9 lbf in (1 Nm).

Warning

If the reservoir cap retaining screws are over tightened this can result in a brake fluid leak.

A dangerous riding condition leading to loss of motorcycle control and an accident could result if this warning is ignored.

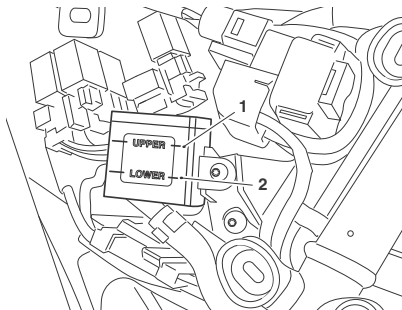
Rear Brake Fluid Level Inspection and Adjustment

Warning

If there has been an appreciable drop in the level of the fluid in either fluid reservoir, consult your authorized Triumph dealer for advice before riding.

Riding with depleted brake fluid levels, or with a brake fluid leak is dangerous and will cause reduced brake performance potentially leading to loss of motorcycle control and an accident.

All Models except Street Scrambler and Street Scrambler Sandstorm



1. Upper level line
2. Lower level line

To inspect the rear brake fluid level:

- Remove the right hand side panel as described on page 69.
- The brake fluid level in the rear reservoir must be kept between the UPPER and LOWER level lines.

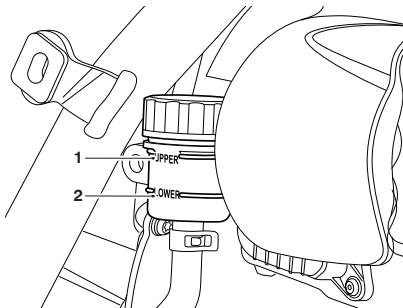
To adjust the rear brake fluid level:

- Release the reservoir from the airbox without detaching the connecting hose.

Maintenance and Adjustment

- Loosen the reservoir cap retaining screws and remove the reservoir cap noting the position of the diaphragm seal.
- Fill the reservoir to the UPPER level line using new DOT 4 brake fluid from a sealed container.
- Install the diaphragm seal into the reservoir cap and make sure that the holes for the fasteners in the reservoir cap and the diaphragm seal are correctly aligned.
- Install the reservoir cap retaining screws into the reservoir cap and diaphragm seal assembly.
- Hold the assembly together and position the reservoir cap, diaphragm seal and reservoir cap retaining screws onto the reservoir.
- Tighten the reservoir cap retaining screws to 13.3 lbf in (1.5 Nm).
- Reinstall the reservoir to the airbox by tightening the original fastener to 44 lbf in (5 Nm).
- Reinstall the right hand side panel.

Street Scrambler and Street Scrambler Sandstorm



1. Upper level line
2. Lower level line

To inspect the rear brake fluid level:

- Remove the right hand side panel as described for the Street Scrambler and Street Scrambler Sandstorm on page 69.
- The brake fluid level in the rear reservoir must be kept between the upper and lower level lines.

To adjust the rear brake fluid level:

- Release the reservoir from the frame without detaching the connecting hose.
- Remove the reservoir cap noting the position of the sealing diaphragm.
- Fill the reservoir to the upper level line using new DOT 4 brake fluid from a sealed container.
- Reinstall the reservoir cap making sure that the diaphragm seal is correctly positioned between the reservoir cap and the reservoir body.
- Reinstall the reservoir to the frame by tightening the original fastener to 44 lbf in (5 Nm).
- Reinstall the right hand side panel.

Brake Light Switches

Warning

Riding the motorcycle with defective brake lights is illegal and dangerous.

An accident causing injury to the rider and other road users may result from use of a motorcycle with defective brake lights.

Maintenance and Adjustment

The brake light is activated independently by either the front or rear brake. If, with the ignition in the ON position, the brake light does not work when the front brake lever is pulled or the rear brake pedal is pressed, have your authorized Triumph dealer investigate and rectify the fault.

Mirrors

Warning

Operation of the motorcycle with incorrectly adjusted mirrors is dangerous.

Operation of the motorcycle with incorrectly adjusted mirrors will result in loss of vision to the rear of the motorcycle. It is dangerous to ride a motorcycle without sufficient rearward vision.

Always adjust the mirrors to provide sufficient rearward vision before riding the motorcycle.

Warning

Never attempt to clean or adjust mirrors while riding the motorcycle. Removal of the rider's hands from the handlebars while riding the motorcycle will diminish the ability of the rider to maintain control of the motorcycle.

Attempting to clean or adjust mirrors while riding the motorcycle may result in loss of control of the motorcycle and an accident.

Only attempt to clean or adjust the mirrors while stationary.

Models with Bar End Mirrors

Warning

Incorrect adjustment of the bar end mirrors may cause the mirror arm to contact the fuel tank, brake or clutch levers or other parts of the motorcycle.

This will restrict brake or clutch lever operation or restrict steering movement, resulting in loss of motorcycle control and an accident.

Adjust the mirrors as required to make sure they do not contact any part of the motorcycle. After adjustment, move the handlebar to the left and right full lock while checking that the mirrors do not contact the fuel tank, brake or clutch levers or other parts of the motorcycle.

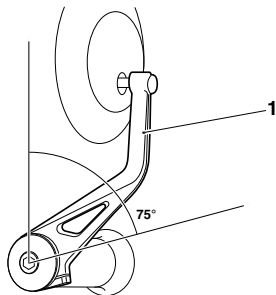
Caution

Incorrect adjustment of the bar end mirrors may cause the mirror arm to contact the fuel tank, brake or clutch levers or other parts of the motorcycle.

This will result in damage to the fuel tank, brake or clutch levers or other parts of the motorcycle.

Adjust the mirrors as required to make sure they do not contact any part of the motorcycle. After adjustment, move the handlebar to the left and right full lock while checking that the mirrors do not contact the fuel tank, brake or clutch levers or other parts of the motorcycle.

The bar end mirrors will be set by your authorized Triumph dealer and will not normally require any adjustment. Should adjustment be necessary, do not rotate the mirror beyond 75°, measured from the vertical section of the mirror arm.



1. Mirror arm vertical section

Maintenance and Adjustment

Steering/Wheel Bearings

⚠ Caution

To prevent risk of injury from the motorcycle falling during the inspection, make sure that the motorcycle is stabilized and secured on a suitable support.

Do not exert extreme force against each wheel or rock each wheel vigorously as this may cause the motorcycle to become unstable and cause injury by falling from its support.

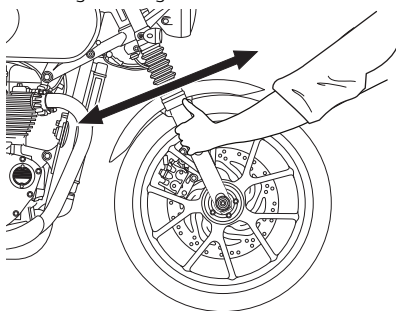
Make sure that the position of the support block will not cause damage to the motorcycle.

Steering Inspection

⚠ Warning

Riding the motorcycle with incorrectly adjusted or defective steering head bearings is dangerous and may cause loss of motorcycle control and an accident.

The steering head bearings must be lubricated and inspected in accordance with scheduled maintenance requirements. Always inspect the wheel bearings at the same time as the steering bearings.



Inspecting the Steering for Free Play

To inspect the steering:

- Position the motorcycle on level ground, in an upright position.
- Raise the front wheel above the ground and support the motorcycle.
- Standing at the front of the motorcycle, hold the lower end of the front forks and try to move them forward and backward.
- If any free play can be detected in the steering head bearings, ask your authorized Triumph dealer to inspect and rectify any faults before riding.
- Remove the support and place the motorcycle on the side stand.

Wheel Bearings Inspection

Warning

Riding with worn or damaged front or rear wheel bearings is dangerous and may cause impaired handling and instability leading to an accident.

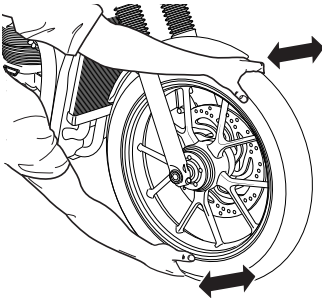
If in doubt, have the motorcycle inspected by an authorized Triumph dealer before riding.

- Reposition the lifting device and repeat the procedure for the rear wheel.
- Remove the support and place the motorcycle on the side stand.

Note

If the wheel bearings in the front or rear wheel allow play in the wheel hub, are noisy, or if the wheel does not turn smoothly, have your authorized Triumph dealer inspect the wheel bearings.

The wheel bearings must be inspected at the intervals specified in the scheduled maintenance chart.



Inspecting the Wheel Bearings

To inspect the wheel bearings:

- Position the motorcycle on level ground, in an upright position.
- Raise the front wheel off the ground and support the motorcycle.
- Standing at the side of the motorcycle, gently rock the top of the front wheel from side to side.
- If any free play can be detected, ask your authorized Triumph dealer to inspect and rectify any faults before riding.

Maintenance and Adjustment

Front Suspension

Warning

Make sure that the adjusters are set to the same setting on both front suspension units.

Settings that vary from left to right may affect handling and stability resulting in loss of motorcycle control and an accident.

Warning

Make sure that the correct balance between front and rear suspension is maintained.

Suspension imbalance could significantly change handling characteristics leading to loss of control and an accident.

Refer to the table for further information or consult your authorized Triumph dealer.

The Thruxton RS is installed with adjustable front suspension. All other models have non-adjustable front suspension.

The standard suspension setting provides a comfortable ride and good handling characteristics for general, solo riding. The following tables show suggested settings for the front suspension.

Front Suspension Settings - Thruxton RS

The motorcycle is delivered from the factory with all the suspension settings set at the Standard setting, as shown in the relevant suspension tables.

The details shown in the tables are only a guide. Setting requirements may vary for rider and passenger weight and personal preferences.

Preload Suspension Settings		
Loading Condition		Spring Preload ¹
Solo Riding	Standard	7.0
	Comfort (Softer)	7.0
	Sport (Firmer)	7.0
Rider and Passenger		7.0

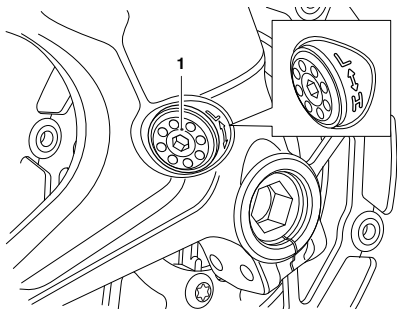
¹ Number of adjuster turns clockwise from the fully counterclockwise position.

Damping Suspension Settings			
Loading Condition		Rebound Damping ²	Compression Damping ²
Solo Riding	Standard	5.0	5.25
	Comfort (Softer)	6.5	8.5
	Sport (Firmer)	2.0	2.0
Rider and Passenger		4.0	5.25

² Number of adjuster turns counterclockwise from the fully clockwise position.

Front Suspension Preload Adjustment - ThruXton RS Only

The preload adjuster is located at the bottom of the front suspension unit.



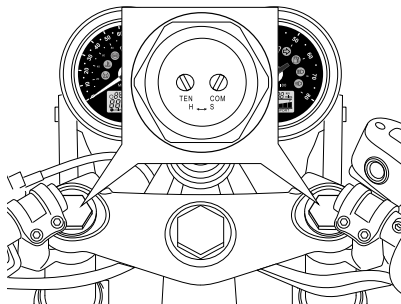
1. Front suspension preload adjuster

To adjust the preload setting:

- Rotate the adjuster clockwise to increase, or counterclockwise to decrease using the adjustment tool located in the right hand side panel.
- Always count the number of turns from the fully clockwise position.

Front Suspension Rebound and Compression Damping Adjustment - ThruXton RS Only

The rebound and compression damping adjusters are located at the top of each fork.



Front Suspension Rebound and Compression Damping Adjusters

To adjust the rebound damping setting:

- Rotate the TEN slotted adjuster clockwise to increase, or counterclockwise to decrease.
- Always count the number of turns from the fully clockwise position.

To adjust the compression damping setting:

- Rotate the COM slotted adjuster clockwise to increase, or counterclockwise to decrease.
- Always count the number of turns from the fully clockwise position.

Maintenance and Adjustment

Front Fork Inspection

Warning

Riding the motorcycle with defective or damaged suspension is dangerous and may lead to loss of control and an accident.

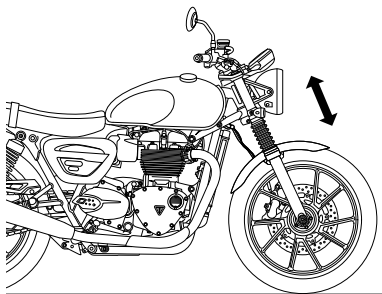
- Examine each fork for any sign of damage, scratching of the slider surface, or for oil leaks.
- If any damage or leakage is found, consult an authorized Triumph dealer.

Warning

Never attempt to dismantle any part of the suspension units

All suspension units contain pressurized oil.

Skin and eye damage can result from contact with the pressurized oil.



Street Twin Shown

To inspect the forks:

- Position the motorcycle on level ground.
- While holding the handlebars and applying the front brake, pump the forks up and down several times.
- If roughness or excessive stiffness is detected, consult your authorized Triumph dealer.

Rear Suspension

Caution

The rear suspension units on the Thruxton RS are equipped with a protective film label. This protective film label will gradually wear. This wear is normal and not considered to be a fault. It does not affect the safety, operation or performance of the rear suspension.

If the motorcycle is used in dirty or dusty environments, the wear on the protective film labels will be accelerated.

To reduce the wear on the protective film labels, dirt should be washed from between them after use in dirty or dusty environments.

The protective film labels are replaceable and can be replaced by an authorized Triumph dealer.

The Thruxton RS suspension has three different rear adjustment settings; spring preload, rebound damping and compression damping. All other models only have adjustable spring preload settings.

The Standard rear suspension preload settings provide a comfortable ride and good handling characteristics for general, solo riding. The following tables show suggested settings for rear suspension under different load conditions for all models.

Rear Suspension Settings

The details shown in the tables are only a guide. Setting requirements may vary for rider and passenger weight and personal preferences.

All Models except Thruxton RS

Preload Suspension Settings	
Loading Condition	Rear Spring Preload Adjuster Position
Solo Riding - Standard	1
Rider, Passenger and Luggage	5

Thruxton RS Only

Preload Suspension Settings		
Loading Condition		Rear Spring Preload ¹
Solo Riding	Standard	1
	Comfort (Softer)	1
	Sport (Firmer)	1
Rider and Passenger		3

¹ Position 1 is minimum (fully clockwise) and position 3 is maximum (fully counterclockwise).

Damping Suspension Settings

Loading Condition		Rear Rebound Damping ²	Rear Compression Damping ²
Solo Riding	Standard	24	16
	Comfort (Softer)	44	20
	Sport (Firmer)	12	8
Rider and Passenger		15	10

² Number of clicks counterclockwise from the fully clockwise position noting that the first stop (click) is counted as one.

Maintenance and Adjustment

Rear Suspension Preload Adjustment

Warning

Make sure that the adjusters are set to the same setting on both rear suspension units.

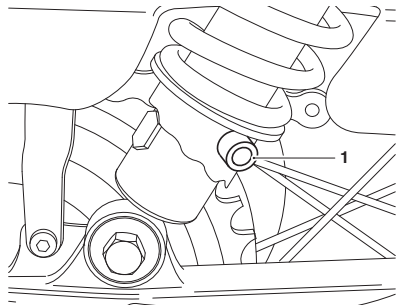
Settings that vary from left to right may affect handling and stability resulting in loss of motorcycle control and an accident.

All Models except Thruxton RS

Rear adjuster settings are counted from one with position one being with the adjuster turned fully counterclockwise.

There are five adjuster positions in total. Position five gives the maximum amount of spring preload.

The spring preload adjuster is located at the bottom of the rear suspension unit.



1. Rear suspension preload adjusters

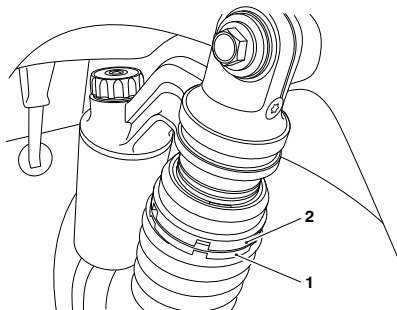
To adjust the rear suspension spring preload setting:

- Insert the adjustment tool (located in the right hand side panel) into the hole in the adjuster ring.

- Turn the adjuster ring clockwise to increase spring preload, and counterclockwise to decrease spring preload. When delivered from the factory, the preload adjuster will be set at position one.

Rear Suspension Preload Adjustment - Thruxton RS Only

The spring preload adjuster is located at the top of the rear suspension unit.



1. Lower adjuster ring
2. Top adjuster ring

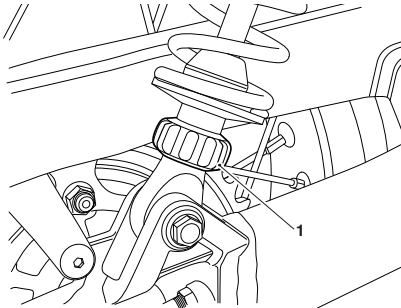
To adjust the rear suspension spring preload setting:

- Use the two C-spanners located under the seat.
- Hold the top adjuster ring in place with one C-spanner, and adjust the lower adjuster ring with the other C-spanner.
- Turn the lower adjuster ring clockwise (viewed from above) to decrease spring preload and counterclockwise to increase spring preload. There are three defined positions to select from.

Maintenance and Adjustment

Rear Suspension Rebound Damping Adjustment - Thruxton RS Only

The rebound damping adjuster is located at the bottom of the rear suspension unit.



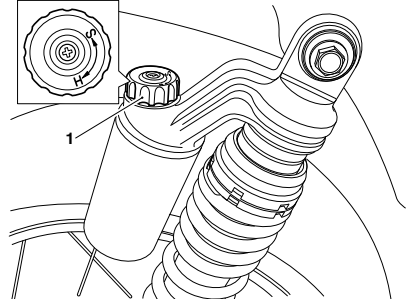
1. Rear suspension rebound damping adjuster

To adjust the rebound damping setting:

- Look upwards from the bottom of the suspension unit to the top of the suspension unit, and rotate the adjuster clockwise to increase and counterclockwise to decrease.
- Always count the number of adjuster clicks counterclockwise from the fully clockwise position.

Rear Suspension Compression Damping Adjustment - Thruxton RS Only

The compression damping adjuster is located at the top of the rear suspension unit.



1. Rear suspension compression damping adjuster

To adjust the compression damping setting:

- Rotate the adjuster clockwise to increase, or counterclockwise to decrease.
- Always count the number of adjuster clicks counterclockwise from the fully clockwise position.

Maintenance and Adjustment

Bank Angle Indicators

Warning

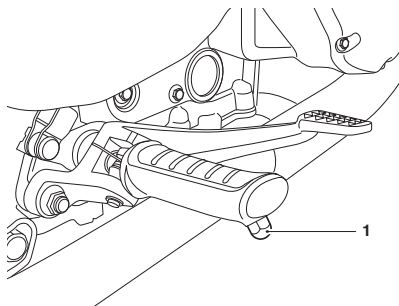
Use of a motorcycle with bank angle indicators worn beyond the maximum limit will allow the motorcycle to be banked to an unsafe angle.

Banking to an unsafe angle may cause instability, loss of motorcycle control and an accident.

Bank angle indicators are located on the rider's footrests.

Regularly check the bank angle indicators for wear.

Bank angle indicators must be replaced when they have reached the maximum wear limit of 0.2 in (5 mm) in length.



1. Bank angle indicator

Tires



This motorcycle is equipped with spoked wheels which require a tire suitable for use with an inner tube.

Warning

Failure to use an inner tube in a spoked wheel will cause deflation of the tire resulting in loss of motorcycle control and an accident.

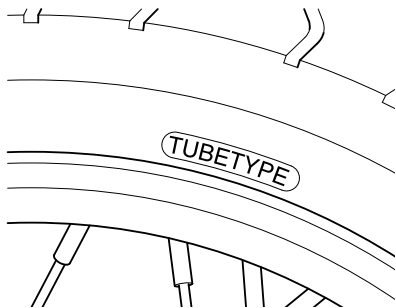
Maintenance and Adjustment

Warning

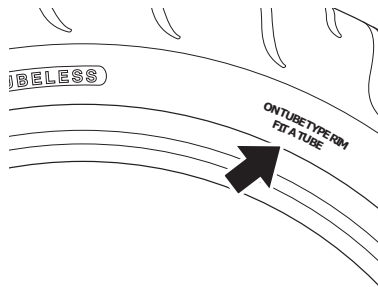
Inner tubes must only be used on motorcycles equipped with spoked wheels and with tires marked 'TUBE TYPE'.

Some brands of approved tires marked 'TUBELESS' may be suitable for use with an inner tube. Where this is the case, the tire wall will be marked with text permitting the mounting of an inner tube (see illustration below).

Use of an inner tube with a tire marked 'TUBELESS', and NOT marked as suitable for use with an inner tube, or use of an inner tube on an alloy wheel marked 'SUITABLE FOR TUBELESS TYRES' will cause deflation of the tire resulting in loss of motorcycle control and an accident.



Typical Tire Marking



Typical Tire Marking - Tubeless Tire Suitable For Use With An Inner Tube

Tire Inflation Pressures

Warning

Incorrect tire inflation will cause abnormal tread wear and instability with control problems that may lead to loss of control and an accident.

Under inflation may result in the tire slipping on, or coming off the rim. Overinflation will cause instability and accelerated tread wear.

Both conditions are dangerous as they may cause loss of control leading to an accident.

Maintenance and Adjustment

Warning

Tire pressures which have been reduced for off-road riding will impair on-road stability.

Always make sure that the tire pressures are set as described in the Specification section for on-road use.

Operation of the motorcycle with incorrect tire pressures may cause loss of motorcycle control and an accident.

Correct inflation pressure will provide maximum stability, rider comfort and tire life. Always check tire pressures before riding when the tires are cold. Check tire pressures daily and adjust if necessary. See the Specification section for details of the correct inflation pressures.

Tire Pressure Monitoring System (TPMS) (if equipped)

Caution

An adhesive label is installed to the wheel rim to indicate the position of the tire pressure sensor.

Care must be taken when replacing the tires to prevent any damage to the tire pressure sensors.

Always have your tires mounted by your authorized Triumph dealer and inform them that tire pressure sensors are installed on the wheels.

Caution

Do not use anti puncture fluid or any other item likely to obstruct air flow to the TPMS sensor's orifices. Any blockage to the air pressure orifice of the TPMS sensor during operation will cause the sensor to become blocked, causing irreparable damage to the TPMS sensor assembly.

Damage caused by the use of anti puncture fluid or incorrect maintenance is not considered a manufacturing defect and will not be covered under warranty.

Always have your tires mounted by your authorized Triumph dealer and inform them that tire pressure sensors are installed on the wheels.

The tire pressures shown on your instruments indicate the actual tire pressure at the time of selecting the display. This may differ from the inflation pressure set when the tires are cold because tires become warmer during riding, causing the air in the tire to expand and increase the inflation pressure. The cold inflation pressures specified by Triumph take account of this.

Only adjust tire pressures when the tires are cold using an accurate pressure gage. Do not use the tire pressure display on the instruments.

Maintenance and Adjustment

Tire Wear

As the tire tread wears down, the tire becomes more susceptible to punctures and failure. It is estimated that 90% of all tire problems occur during the last 10% of tread life (90% worn). It is recommended that tires are changed before they are worn to their minimum tread depth.

Minimum Recommended Tread Depth



Warning

Riding with excessively worn tires is hazardous and will adversely affect traction, stability and handling which may lead to loss of control and an accident.

When tubeless tires, used without a tube, become punctured, leakage is often very slow. Always inspect tires very closely for punctures. Check the tires for cuts, embedded nails or other sharp objects. Riding with punctured or damaged tires will adversely affect motorcycle stability and handling which may lead to loss of control or an accident.

Check the rims for dents or deformation. Riding with damaged or defective wheels or tires is dangerous and may lead to loss of control and an accident.

Always consult your authorized Triumph dealer for tire replacement, or for a safety inspection of the tires.

In accordance with the periodic maintenance chart, measure the depth of the tread with a depth gage, and replace any tire that has worn to, or beyond the minimum allowable tread depth specified in the table below:

Under 80 mph (130 km/h)	0.08 in (2 mm)
Over 80 mph (130 km/h)	Front 0.08 in (2 mm) Rear 0.12 in (3 mm)

Tire Replacement

All Triumph motorcycles are carefully and extensively tested in a range of riding conditions to make sure that the most effective tire combinations are approved for use on each model. It is essential that approved tires and inner tubes (if installed) mounted in approved combinations, are used when purchasing replacement items. The use of non-approved tires and inner tubes, or approved tires and inner tubes in non-approved combinations, may lead to motorcycle instability, loss of control and an accident.

A list of approved tires and inner tubes specific to your motorcycle are available from your authorized Triumph dealer, or on the Internet at www.triumph.co.uk. Always have tires and inner tubes mounted and balanced by your authorized Triumph dealer who has the necessary training and skills to ensure safe, effective installation.

Maintenance and Adjustment

When replacement tires or inner tubes are required, consult your authorized Triumph dealer who will arrange for the tires and inner tubes to be selected, in a correct combination, from the approved list and mounted according to the tire and inner tube manufacturer's instructions.

Initially, the new tires and inner tubes will not produce the same handling characteristics as the worn tires and inner tubes and the rider must allow adequate riding distance (approximately 100 miles (160 km)) to become accustomed to the new handling characteristics.

24 hours after mounting, the tire pressures must be checked and adjusted, and the tires and inner tubes examined for correct seating. Rectification must be carried out as necessary. The same checks and adjustments must also be carried out when 100 miles (160 km) have been traveled after mounting.

Warning

Inner tubes must only be used on motorcycles equipped with spoked wheels and with tires marked 'TUBE TYPE'.

Some brands of approved tires marked 'TUBELESS' may be suitable for use with an inner tube. Where this is the case, the tire wall will be marked with text permitting the installation of an inner tube.

Use of an inner tube with a tire marked 'TUBELESS', and NOT marked as suitable for use with an inner tube, or use of an inner tube on an alloy wheel marked 'SUITABLE FOR TUBELESS TYRES' will cause deflation of the tire resulting in loss of motorcycle control and an accident.

Warning

Do not install tube type tires on tubeless rims.

The bead will not seat and the tires could slip on the rims, causing rapid tire deflation that may result in a loss of motorcycle control and an accident.

Never install an inner tube inside a tubeless tire without the appropriate marking. This will cause friction inside the tire and the resulting heat build-up may cause the tube to burst resulting in rapid tire deflation, loss of motorcycle control and an accident.

Maintenance and Adjustment

Warning

If a tire or inner tube sustains a puncture, the tire and inner tube must be replaced.

Failure to replace a punctured tire and inner tube, or operation with a repaired tire or inner tube can lead to instability, loss of motorcycle control or an accident.

Warning

If tire damage is suspected, such as after striking the curb, ask your authorized Triumph dealer to inspect the tire both internally and externally.

Tire damage may not always be visible from the outside.

Operation of the motorcycle with damaged tires could lead to loss of control and an accident.

Warning

Use of a motorcycle with incorrectly seated tires or inner tubes, incorrectly adjusted tire pressures, or when not accustomed to its handling characteristics may lead to loss of motorcycle control and an accident.

Warning

The ABS system operates by comparing the relative speed of the front and rear wheels.

Use of non-recommended tires can affect wheel speed and cause the ABS function not to operate, potentially leading to loss of motorcycle control and an accident in conditions where the ABS would normally function.

Warning

Accurate wheel balance is necessary for safe, stable handling of the motorcycle. Do not remove or change any wheel balance weights. Incorrect wheel balance may cause instability leading to loss of control and an accident.

When wheel balancing is required, such as after tire or inner tube replacement, see your authorized Triumph dealer.

Only use self-adhesive weights. Clip on weights may damage the wheel, tire or inner tube resulting in tire deflation, loss of motorcycle control and an accident.

Maintenance and Adjustment

Warning

Tires and inner tubes that have been used on a rolling road dynamometer may become damaged. In some cases, the damage may not be visible on the external surface of the tire.

Tires and inner tubes must be replaced after such use as continued use of a damaged tire or inner tube may lead to instability, loss of motorcycle control and an accident.

Battery

Warning

The battery contains sulfuric acid (battery acid). Contact with skin or eyes may cause severe burns. Wear protective clothing and a face shield.

If battery acid gets on your skin, flush with water immediately.

If battery acid gets in your eyes, flush with water for at least 15 minutes and **SEEK MEDICAL ATTENTION IMMEDIATELY.**

If battery acid is swallowed, drink large quantities of water and **SEEK MEDICAL ATTENTION IMMEDIATELY.**

KEEP BATTERY ACID OUT OF THE REACH OF CHILDREN.

Warning

Under certain circumstances, the battery may release explosive gases. Make sure to keep all sparks, flames and cigarettes away from the battery.

Do not attach jump leads to the battery, touch the battery cables together or reverse the polarity of the cables, as any of these actions may cause a spark which would ignite battery gases causing a risk of personal injury.

Make sure that there is adequate ventilation when charging or using the battery in an enclosed space.

Warning

The battery contains harmful materials. Always keep children and pets away from the battery at all times.

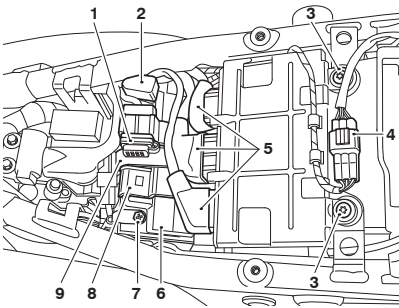
Battery Removal

Warning

Make sure that the battery terminals do not touch the motorcycle frame.

This may cause a short circuit or spark which would ignite battery gases causing a risk of personal injury.

All Models except Speed Twin and Thruxton RS



1. USB socket
2. Positive (+) terminal
3. Engine Control Module (ECM) fasteners
4. Accessory cable
5. Connectors
6. Battery
7. Negative (-) terminal
8. Battery cover
9. Battery strap

To remove the battery:

- Remove the seat (see page 73).
- Disconnect the battery leads, negative (black) lead first and then the positive (red) lead.
- Release the accessory connector.
- Carefully release the accessory connector cable from the ECM unit clips.
- Loosen the fasteners on the ECM unit.
- Release the three connectors to the ECM unit.
- Carefully lift the ECM unit and place to the side allowing access to the battery.

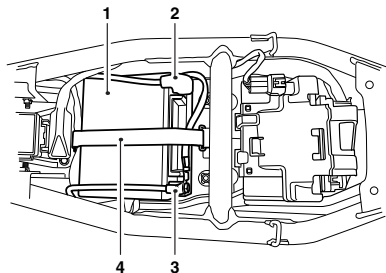
Note

Make sure that the ECM unit is handled with care during the battery removal or installation process.

- Detach the USB port socket.
- Remove the battery strap.
- Remove the battery cover.
- Carefully remove the battery from the motorcycle.

Maintenance and Adjustment

Speed Twin and Thruxton RS Only



1. Battery
2. Positive (+) terminal
3. Negative (-) terminal
4. Battery strap

To remove the battery:

- Remove the seat (see page 73).
- Disconnect the battery leads, negative (black) lead first and then the positive (red) lead.
- Remove the battery strap and the USB port socket.
- Take the battery out of the case.

Battery Disposal

Should the battery ever require replacement, the original battery must be handed to a recycling agent who will make sure that the dangerous substances from which the battery is manufactured do not pollute the environment.

Battery Maintenance

Warning

Battery acid is corrosive and poisonous and will cause damage to unprotected skin.

Never swallow battery acid or allow it to come into contact with the skin.

To prevent injury, always wear eye and skin protection when handling the battery.

The battery is a sealed type and does not require any maintenance other than checking the voltage and routine recharging when required, such as during storage.

Clean the battery using a clean, dry cloth. Make sure that the cable connections are clean.

It is not possible to adjust the battery acid level in the battery; the sealing strip must not be removed.

Battery Discharge

Caution

The charge level in the battery must be maintained to maximize battery life.

Failure to maintain the battery charge level could cause serious internal damage to the battery.

Under normal conditions, the motorcycle charging system will keep the battery fully charged. However, if the motorcycle is unused, the battery will gradually discharge due to a normal process called self discharge; the clock,

Engine Control Module (ECM) memory, high ambient temperatures, or the addition of electrical security systems or other electrical accessories will all increase this rate of battery discharge. Disconnecting the battery from the motorcycle during storage will reduce the rate of discharge.

Battery Discharge During Storage and Infrequent Use of the Motorcycle

During storage or infrequent use of the motorcycle, inspect the battery voltage weekly using a multimeter. Follow the manufacturer's instructions supplied with the meter.

Should the battery voltage fall below 12.7 Volts, the battery should be charged.

Allowing a battery to discharge or leaving it discharged for even a short period of time causes sulphation of the lead plates. Sulphation is a normal part of the chemical reaction inside the battery, however over time the sulphate can crystallize on the plates making recovery difficult or impossible. This permanent damage is not covered by the motorcycle warranty, as it is not due to a manufacturing defect.

Keeping the battery fully charged reduces the likelihood of it freezing in cold conditions. Allowing a battery to freeze will cause serious internal damage to the battery.

Battery Charging

Warning

The battery gives off explosive gases; keep sparks, flames and cigarettes away. Provide adequate ventilation when charging or using the battery in an enclosed space.

The battery contains sulfuric acid (battery acid). Contact with skin or eyes may cause severe burns. Wear protective clothing and a face shield.

If battery acid gets on your skin, flush with water immediately.

If battery acid gets in your eyes, flush with water for at least 15 minutes and **SEEK MEDICAL ATTENTION IMMEDIATELY.**

If battery acid is swallowed, drink large quantities of water and **SEEK MEDICAL ATTENTION IMMEDIATELY.**

KEEP BATTERY ACID OUT OF THE REACH OF CHILDREN.

Caution

Do not use an automotive quick charger as it may overcharge and damage the battery.

For help with selecting a battery charger, checking the battery voltage or battery charging, contact your local authorized Triumph dealer.

Maintenance and Adjustment

Should the battery voltage fall below 12.7 Volts, the battery should be charged using a Triumph approved battery charger. Always remove the battery from the motorcycle and follow the instructions supplied with the battery charger.

For extended periods of storage (beyond two weeks) the battery should be removed from the motorcycle and kept charged using a Triumph approved maintenance charger.

Similarly, should the battery charge fall to a level where it will not start the motorcycle, remove the battery from the motorcycle before charging.

Battery Installation

Warning

Make sure that the battery terminals do not touch the motorcycle frame.

This may cause a short circuit or spark which would ignite battery gases causing a risk of personal injury.

All Models except Speed Twin and Thruxton RS

To install the battery:

- Place the battery in the battery case.
- Reinstall the battery cover and USB port socket. Secure with the battery strap.
- Carefully place the ECM unit into its original position.
- Install new ECM fasteners to secure the ECM unit. Tighten to 89 lbf in (10 Nm).

- Reconnect the three connectors to the ECM unit.
- Reconnect the accessory connector. Secure the accessory connector cable into the ECM cable clips.
- Reconnect the battery, positive (red) lead first and then the negative (black) lead.
- Tighten the battery terminals to 40 lbf in (4.5 Nm).
- Apply a light coat of grease to the terminals to prevent corrosion.
- Cover the positive terminal with the protective cap.
- Reinstall the seat (see page 73).

Speed Twin and Thruxton RS Only

To install the battery:

- Place the battery in the battery case.
- Secure with the battery strap and make sure the USB port socket is reinstalled.
- Reconnect the battery, positive (red) lead first and then the negative (black) lead.
- Tighten the battery terminals to 40 lbf in (4.5 Nm).
- Apply a light coat of grease to the terminals to prevent corrosion.
- Cover the positive terminal with the protective cap.
- Reinstall the seat (see page 73).

Maintenance and Adjustment

Fuses

Warning

Always replace blown fuses with new ones of the correct rating (as specified on the fuse box cover).

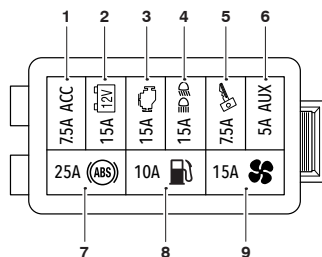
Never replace a blown fuse with a fuse of a different rating.

Use of an incorrect fuse could lead to an electrical problem, resulting in motorcycle damage, loss of motorcycle control and an accident.

Note

A blown fuse is indicated when all of the systems protected by that fuse become inoperative. When checking for a blown fuse, use the table to establish which fuse has blown.

The fuse box is located underneath the seat. To allow access to the fuse box, the seat must be removed (see page 73).



Fuse Box

Position	Circuit Protected	Rating (Amps)
1	Accessory socket	7.5
2	Battery	15
3	Engine Management System (EMS)	15
4	Lighting	15
5	Ignition switch, starter circuit	7.5
6	USB port socket	5
7	ABS	25
8	Fuel pump	10
9	Cooling fan	15

Maintenance and Adjustment

Headlights



Warning

Adjust road speed to suit the visibility and weather conditions in which the motorcycle is being operated.

Make sure that the head light beam is adjusted to illuminate the road surface sufficiently far ahead without blinding oncoming traffic.

An incorrectly adjusted headlight may impair visibility causing an accident.

Warning

Never attempt to adjust a headlight beam when the motorcycle is in motion.

Any attempt to adjust a headlight beam when the motorcycle is in motion may result in loss of control and an accident.

Caution

Do not cover the headlight or lens with any item likely to obstruct air flow to, or prevent heat escaping from, the headlight lens.

Covering the headlight lens during operation with items of clothing, luggage, adhesive tape, devices intended to alter or adjust the headlight beam or non genuine headlight lens covers will cause the headlight lens to overheat and distort, causing irreparable damage to the headlight assembly.

Damage caused by overheating is not considered a manufacturing defect and will not be covered under warranty.

If the headlight must be covered during use - such as taping of the headlight lens required during closed-course conditions - the headlight must be disconnected.

Headlight/Position Light Bulb Replacement

The headlight unit consists of a headlight bulb and position bulb that can be replaced following the headlight bulb replacement procedure.

Daytime Running Lights (if equipped)

The Daytime Running Lights (DRL) are situated within the headlight assembly and are sealed, maintenance free LED units. If DRL are equipped then there is no position bulb.

Maintenance and Adjustment

Warning

The bulbs become hot during use. Always allow sufficient time for the bulbs to cool before handling.

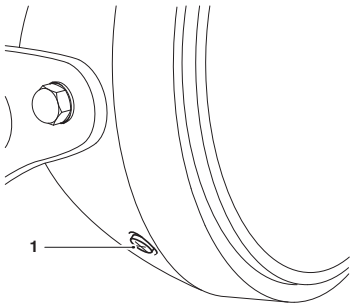
Avoid touching the glass part of the bulb. If the glass is touched or gets dirty, clean with alcohol before reuse.

Caution

The use of non-approved headlight bulbs may result in damage to the headlight lens.

Use a genuine Triumph supplied headlight bulb as specified in the Triumph Parts Catalog.

Always have replacement headlight bulbs installed by an authorized Triumph dealer.

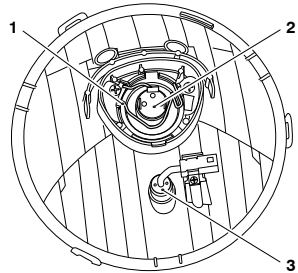


1. Headlight rim screws (one of two)

To remove the headlight rim:

- Disconnect the battery, negative (black) lead first.
- Remove the headlight rim screws.
- Detach the headlight and rim assembly from the headlight bowl.

**Bonneville T100, Street Scrambler,
Street Scrambler Sandstorm,
Street Twin and Street Twin Goldline**



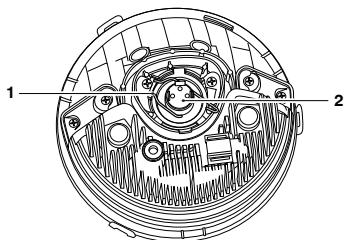
1. Wire retainer
2. Headlight bulb
3. Position bulb

To remove the headlight and position light bulb:

- While supporting the light unit, disconnect the multipin electrical connector from the headlight bulb and the connector from the position light.
- Remove the rubber dust cover.
- Unhook the headlight bulb's wire retainer.
- The headlight bulb can now be removed.
- To remove the position light bulb, detach the bulb holder from the headlight body and release the bulb.
- Installation is the reversal of removal.

Maintenance and Adjustment

Bonneville T120 (all models), Speed Twin and Thruxton RS

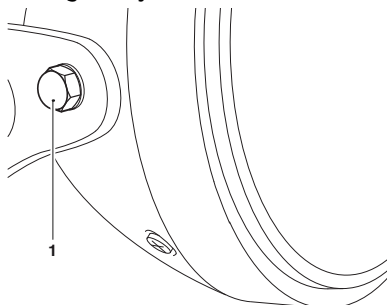


1. **Wire retainer**
2. **Headlight bulb**

To remove the headlight and position light bulb:

- While supporting the light unit, disconnect the multipin electrical connector from the headlight bulb.
- Remove the rubber dust cover.
- Unhook the headlight bulb's wire retainer.
- The headlight bulb can now be removed.
- Installation is the reversal of removal.
- The position bulb is situated within the headlight assembly and is a sealed, maintenance-free LED unit.

Headlight Adjustment



1. **Headlight assembly mounting bolt**

To adjust the headlight beam:

- Always make sure the handlebars are in the straight ahead position.
- Vertical adjustment of the headlight beam is controlled by loosening the headlight assembly mounting bolts and altering the position of the headlight assembly.
- Retighten the headlight assembly mounting bolts after adjustment to 89 lbf in (10 Nm).

Tail Lights

The LED tail light units are sealed, maintenance free LED units. The tail light units must be replaced in the event of the failure of the tail lights.

Multifunctional Tail Lights (if equipped)

Bonneville T120 Ace, Speed Twin and Street Scrambler Sandstorm

The multifunctional tail light units operate as the rear position light, brake light and turn signals.

The multifunctional tail light units are a sealed, maintenance free LED unit and must be replaced in the event of the failure of the tail lights.

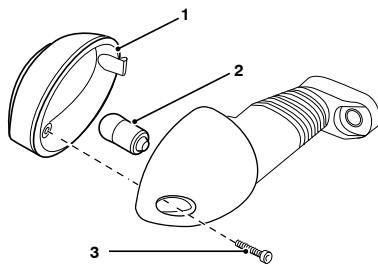
Turn Signal Lights

The motorcycle is equipped with either LED or bulb turn signal lights.

LED Turn Signal Lights

The LED turn signal light units are sealed, maintenance free LED units. The turn signal light assembly must be replaced in the event of the failure of the turn signal.

Street Scrambler, Street Scrambler Sandstorm, Street Twin and Street Twin Goldline Turn Signal Bulb Replacement



1. Lens
2. Bulb
3. Turn signal lens screw

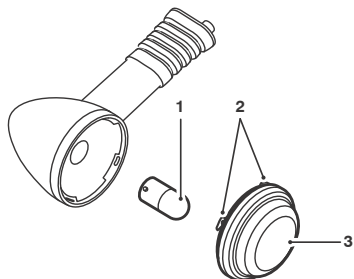
The lens on each turn signal light is held in place by an indicator lens screw located in the body of the light unit.

To replace the turn signal light bulb:

- Loosen the turn signal lens screw and remove the lens to gain access to the bulb for replacement.
- Carefully remove the bulb and replace it with a new bulb.
- Installation is the reverse of the removal procedure.

Maintenance and Adjustment

Bonneville T100, Bonneville T120, Bonneville T120 Ace and Thruxton RS Turn Signal Bulb Replacement



1. Bulb
2. Locating tangs
3. Lens

To replace the turn signal light bulb:

- Carefully twist the lens counterclockwise and remove from the turn signal to gain access to the bulb.
- Gently press the bulb inwards and twist counterclockwise. Replace with a new bulb.
- Installation for the bulb is the reverse of the removal procedure.

Caution

When installing the lens, make sure that the locating tangs are correctly aligned to the turn signal body.

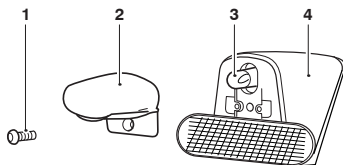
- To install the indicator lens, align the locating tangs with the turn signal body and twist counterclockwise to secure.

License Plate Light

Bonneville T100 (all models), Bonneville T120 (all models), Speed Twin and Thruxton RS

The license plate light unit is a sealed, maintenance free LED unit. The license plate light unit must be replaced in the event of the failure of the license plate light.

Street Scrambler, Street Scrambler Sandstorm, Street Twin and Street Twin Goldline

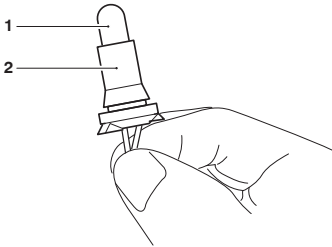


1. Fastener
2. Lens unit
3. Bulb
4. License plate bracket

Maintenance and Adjustment

To change the license plate light bulb:

- Disconnect the battery, negative black lead first.
- Release the fastener from the lens unit.
- Remove the lens unit from the license plate bracket.
- Detach the bulb retainer from the lens unit.



1. **Bulb**
2. **Bulb retainer**

- Carefully remove the bulb from the bulb retainer. Mount a new bulb into the bulb retainer.
- Remount the bulb retainer into the lens unit.
- Remount the lens unit to the license plate bracket.
- Tighten the fastener to 9 lbf in (1 Nm).
- Reconnect the battery, positive (red) lead first and tighten the battery terminals to 39.8 lbf in (4.5 Nm).
- Apply a light coat of grease to the terminals to prevent corrosion.
- Cover the positive terminal with the protective cap.

Maintenance and Adjustment

This page intentionally left blank

Cleaning and Storage

Table of Contents

Cleaning.....	156
Preparation for Washing.....	156
Where to be Careful.....	157
Washing.....	158
After Washing.....	158
Care of Gloss Paintwork.....	159
Care of Matt Paintwork.....	159
Aluminum Items - not Lacquered or Painted.....	159
Cleaning of Chrome and Stainless Steel Items.....	160
Black Chrome.....	160
Cleaning of the Exhaust System.....	161
Seat Care.....	162
Windshield Cleaning (if equipped).....	162
Care of Leather Products.....	163
Storage.....	164

Cleaning and Storage

Cleaning

Frequent, regular cleaning is an essential part of the maintenance of your motorcycle. If regularly cleaned, the appearance will be preserved for many years.

Cleaning with cold water containing an automotive cleaner is essential at all times but particularly so after exposure to sea breezes, sea water, dusty or muddy roads and in winter when roads are treated for ice and snow.

Do not use household detergent, as the use of such products will lead to premature corrosion.

Although, under the terms of your motorcycle warranty, cover is provided against the corrosion of certain items, the owner is expected to observe this reasonable advice which will safeguard against corrosion and enhance the appearance of the motorcycle.

Preparation for Washing

Before washing, precautions must be taken to keep water off the following places.

Rear opening of the exhausts: Cover with a plastic bag secured with rubber bands.

Clutch and brake levers, switch housings on the handlebar: Cover with plastic bags.

Ignition switch and steering lock: Cover the keyhole with tape.

Remove any items of jewelry such as rings, watches, zips or belt buckles, which may scratch or otherwise damage painted or polished surfaces.

Use separate cleaning sponges or cleaning cloths for washing painted/polished surfaces and chassis areas. Chassis areas (such as wheels and under fenders) will be exposed to more abrasive road grime and dust, which may then scratch painted or polished surfaces, if the same sponge or cleaning cloths are used.

Where to be Careful

 **Caution**

Do not use high pressure spray washers or steam cleaners.

Use of high pressure spray washers and steam cleaners may damage seals, and cause water and steam to be forced into bearings and other components causing premature wear from corrosion and loss of lubrication.

 **Caution**

Do not spray any water at all near the air intake duct.

The air intake duct is normally located under the rider's seat, under the fuel tank or near the steering head.

Any water sprayed in this area could enter the airbox and engine, causing damage to both items.

Do not get water near the following places:

- Air intake duct
- Any visible electrical components
- Brake cylinders and brake calipers
- Handlebar switch housings
- Steering head bearings
- Instruments
- Oil filler cap
- Rear bevel box breather (if equipped)
- Rear of headlights
- Seats
- Suspension seals and bearings
- Under the fuel tank
- Wheel bearings.

Note

Use of soaps that are highly alkaline will leave a residue on painted surfaces, and may also cause water spotting.

Always use a low alkaline soap to aid the cleaning process.

Cleaning and Storage

Washing

To wash the motorcycle, do the following:

- Make sure that the motorcycle engine is cold.
- Prepare a mixture of clean, cold water and mild automotive cleaner. Do not use a highly alkaline soap as commonly found at commercial car washes because it leaves a residue.
- Wash the motorcycle with a sponge or soft cloth. Do not use abrasive scouring pads or steel wool. They will damage the finish.
- Rinse the motorcycle thoroughly with clean, cold water.

After Washing

Warning

Never wax or lubricate the brake discs. Always clean the brake disc with a proprietary brand of oil-free brake disc cleaner.

Waxed or lubricated brake discs may cause loss of braking power and an accident.

After washing the motorcycle, do the following:

1. Remove the plastic bags and tape, and clear the air intakes.
2. Lubricate the pivots, bolts and nuts.
3. Test the brakes before motorcycle operation.
4. Use a dry cloth or chamois leather to absorb water residue. Do not allow water to stand on the motorcycle as this will lead to corrosion.
5. Start the engine and run it for 5 minutes. Make sure that there is adequate ventilation for the exhaust fumes.

Care of Gloss Paintwork

Gloss paintwork should be washed and dried as described previously, then protected using a high quality automotive polish. Always follow the manufacturer's instructions and repeat regularly to maintain your motorcycle's appearance.

Care of Matt Paintwork

Matt paintwork requires no greater care than that already recommended for gloss paintwork.

- Do not use any polish or wax on matt paintwork.
- Do not try and polish out scratches.

Aluminum Items - not Lacquered or Painted

Items such as brake and clutch levers, wheels, engine covers, engine cooling fins, upper and lower yokes and throttle bodies on some models must be correctly cleaned to preserve their appearance. Please contact your dealer if you are unsure which components on your motorcycle are aluminum parts not protected by paint or lacquer, and for guidance on how to clean those items.

Use a proprietary brand of aluminum cleaner which does not contain abrasive or caustic elements.

Clean aluminum items regularly, in particular after use in inclement weather, where the components must be hand washed and dried each time the machine is used.

Warranty claims due to inadequate maintenance will not be allowed.

Cleaning and Storage

Cleaning of Chrome and Stainless Steel Items

All chrome and stainless steel parts of your motorcycle must be cleaned regularly to avoid a deterioration of its appearance.


Washing

Wash as previously described.

Drying

Dry the chrome and stainless steel parts as far as possible with a soft cloth or chamois leather.

Protecting

 Caution
The use of products containing silicone will cause discoloration of the chrome and stainless steel parts and must not be used.
The use of abrasive cleaning products will damage the finish and must not be used.

When the chrome and stainless steel is dry, apply a suitable proprietary chrome cleaner on to the surface, following the manufacturer's instructions.

It is recommended that regular protection be applied to the motorcycle as this will both protect and enhance its appearance.

Black Chrome

Items such as headlight bowls and mirrors on some models must be correctly cleaned to preserve their appearance. Please contact your dealer if you are unsure which components on your motorcycle are black chrome parts. Maintain the appearance of black chrome items by rubbing a small amount of light oil into the surface.

Cleaning of the Exhaust System

All parts of the exhaust system of your motorcycle must be cleaned regularly to avoid a deterioration of its appearance. These instructions can be applied to chrome, brushed stainless steel and carbon fiber components; matt painted exhaust systems should be cleaned as above, noting the care instructions in the Matt Paintwork section previously.

Note

The exhaust system must be cool before washing to prevent water spotting.

Washing

Wash as previously described.

Make sure that no soap or water enters the exhausts.

Drying

Dry the exhaust system as far as possible with a soft cloth or chamois leather. Do not run the engine to dry the system or spotting will occur.

Protecting



Caution

The use of products containing silicone will cause discoloration of the chrome and stainless steel parts and must not be used.

The use of abrasive cleaning products will damage the finish and must not be used.

When the exhaust system is dry, apply a suitable proprietary motorcycle protection spray onto the surface, following the manufacturer's instructions.

It is recommended that regular protection be applied to the system as this will both protect and enhance the system's appearance.

Cleaning and Storage

Seat Care

Caution

Use of chemicals or high pressure spray washers is not recommended for cleaning the seat.

Using chemicals or high pressure spray washers may damage the seat cover.

To help maintain its appearance, clean the seat using a sponge or cleaning cloth with soap and water.

Windshield Cleaning (if equipped)



Warning

Never attempt to clean the windshield while the motorcycle is in motion as releasing the handlebars may cause loss of motorcycle control and an accident.

Operation of the motorcycle with a damaged or scratched windshield will reduce the rider's forward vision. Any such reduction in forward vision is dangerous and may lead to loss of motorcycle control and an accident.

Caution

Corrosive chemicals such as battery acid will damage the windshield. Never allow corrosive chemicals to contact the windshield.

Caution

Products such as window cleaning fluids, insect remover, rain repellent, scouring compounds, gasoline or strong solvents such as alcohol, acetone, carbon tetrachloride, etc. will damage the windshield.

Never allow these products to contact the windshield.

Clean the windshield with a solution of mild soap or detergent and clean, cold water.

After cleaning, rinse well and then dry with a soft, lint-free cloth.

If the transparency of the windshield is reduced by scratches or oxidation which cannot be removed, the windshield must be replaced.

Care of Leather Products

It is recommended that the leather products are periodically cleaned with a damp cloth and allowed to dry naturally at room temperature. This will maintain the appearance of the leather and ensure the long life of the product.

The Triumph leather product is a natural product and lack of care can result in damage and permanent wear.

Follow these simple instructions to prolong the life of the leather product:

- Do not use household cleaning products, bleach, detergents containing bleach or any kind of solvent to clean the leather product.
- Do not immerse the leather product in water.
- Avoid direct heat from fires and radiators which can dry out and distort the leather.
- Do not leave the leather product in direct sunlight for prolonged periods of time.
- Do not dry the leather product by applying direct heat to it at any time.
- If the leather product does get wet, absorb any excess water with a soft clean cloth then leave the leather product to dry naturally at room temperature.
- Avoid exposure of the leather product to high levels of salt, for example sea/salt water or road surfaces that have been treated during the winter for ice and snow.

Cleaning and Storage

- If exposure to salt is unavoidable, clean the leather product immediately after each exposure using a damp cloth then leave the leather product to dry naturally at room temperature.
- Gently clean any minor marks with a damp cloth then leave the leather product to dry naturally at room temperature.
- Place the leather product in a fabric bag or cardboard box to protect it when in storage. Do not use a plastic bag.

Storage

Preparation for Storage

To prepare the motorcycle for storage, do the following:

- Clean and dry the entire vehicle thoroughly.
- Fill the fuel tank with the correct grade of unleaded fuel and add a suitable fuel stabilizer (if available), following the fuel stabilizer manufacturer's instructions.

Warning

Gasoline is extremely flammable and can be explosive under certain conditions.

Turn the ignition switch OFF. Do not smoke.

Make sure the area is well ventilated and free from any source of flame or sparks; this includes any appliance with a pilot light.

- Remove one of the spark plugs from each cylinder and put several drops 0.17 fl oz (5 ml) of engine oil into each cylinder. Cover the spark plug holes with a piece of cloth or rag. With the engine stop switch in the RUN position, push the starter button for a few seconds to coat the cylinder walls with oil. Install the spark plugs, tightening to 9 lbf ft (12 Nm).
- Change the engine oil and filter (see page 104).
- Check and if necessary correct the tire pressures (see page 137).

Cleaning and Storage

- Set the motorcycle on a stand so that both wheels are raised off the ground. (If this cannot be done, put boards under the front and rear wheels to keep dampness away from the tires.)
- Spray rust inhibiting oil (there are a host of products on the market and your authorized Triumph dealer will be able to offer you local advice) on all unpainted metal surfaces to prevent rusting. Prevent oil from getting on rubber parts, brake discs or in the brake calipers.
- Make sure the cooling system is filled with a 50% mixture of coolant (noting that HD4X Hybrid OAT coolant, as supplied by Triumph, is pre-mixed and requires no dilution) and distilled water solution (see page 107).
- Remove the battery, and store it where it will not be exposed to direct sunlight, moisture, or freezing temperatures. During storage it should be given a slow charge (one Ampere or less) about once every two weeks (see page 145).
- Store the motorcycle in a cool, dry area, away from sunlight, and with a minimum daily temperature variation.
- Put a suitable porous cover over the motorcycle to keep dust and dirt from collecting on it. Avoid using plastic or similar non-breathable, coated materials that restrict air flow and allow heat and moisture to accumulate.

Preparation after Storage

To prepare the motorcycle to be ridden after storage, do the following:

- Install the battery (if removed) (see page 146).
- If the motorcycle has been stored for more than four months, change the engine oil (see page 104).
- Check all the points listed in the Daily Safety Checks section.
- Before starting the engine, remove the spark plugs from each cylinder.
- Put the side stand down.
- Crank the engine on the starter motor several times until the oil pressure light goes out.
- Replace the spark plugs, tightening to 9 lbf ft (12 Nm), and start the engine.
- Check and if necessary correct the tire pressures (see page 137).
- Check and if necessary adjust the drive chain tension (see page 115).
- Clean the entire vehicle thoroughly.
- Check the brakes for correct operation.
- Test ride the motorcycle at low speeds.

This page intentionally left blank

Specifications

Table of Contents

Bonneville T100 and Bonneville T120.....	168
Bonneville T120 Ace and Bonneville T120 Diamond.....	172
Street Scrambler and Street Scrambler Sandstorm.....	176
Speed Twin.....	180
Street Twin and Street Twin Goldline.....	184
Thruxton RS.....	188

Specifications

Bonneville T100 and Bonneville T120

Dimensions, Weights and Performance		
A list of model specific dimensions, weights and performance figures is available from your authorized Triumph dealer, or on the Internet at www.triumph.co.uk .		
Payload	Bonneville T100	Bonneville T120
Maximum Payload	463 lb (210 kg)	463 lb (210 kg)
Engine	Bonneville T100	Bonneville T120
Type	Liquid cooled parallel twin, 270° firing angle	Liquid cooled parallel twin, 270° firing angle
Displacement	900 cc	1,200 cc
Bore x Stroke	3.33 x 3.15 in (84.6 x 80 mm)	3.84 x 3.15 in (97.6 x 80 mm)
Compression Ratio	11:1	10:1
Cylinder Numbering	Left to right	Left to right
Cylinder Sequence	1-2	1-2
Firing Order	1-2	1-2
Starting System	Electric starter	Electric starter
Lubrication	Bonneville T100	Bonneville T120
Lubrication System	Wet sump	Wet sump
Engine Oil Capacities:		
Dry Fill	1 gallon (3.8 liters)	1 gallon (3.8 liters)
Oil/Filter Change	0.9 gallon (3.4 liters)	0.9 gallon (3.4 liters)
Oil Change Only	0.85 gallon (3.2 liters)	0.85 gallon (3.2 liters)
Cooling	Bonneville T100	Bonneville T120
Coolant Type	Triumph HD4X Hybrid OAT	Triumph HD4X Hybrid OAT
Water/Coolant Ratio	50/50 (pre-mixed as supplied by Triumph)	50/50 (pre-mixed as supplied by Triumph)
Coolant Capacity	0.4 gallon (1.518 liters)	0.41 gallon (1.558 liters)
Thermostat Opens	88°C +/- 2°C	88°C +/- 2°C
Fuel System	Bonneville T100	Bonneville T120
Type	Electronic fuel injection	Electronic fuel injection
Fuel Pump	Submerged electronic	Submerged electronic
Fuel Pressure (nominal)	51 lbs/in ² (3.5 bar)	51 lbs/in ² (3.5 bar)

Specifications

Fuel	Bonneville T100	Bonneville T120
Type	91 RON unleaded	91 RON unleaded
Tank Capacity	3.83 gallons (14.5 liters)	3.83 gallons (14.5 liters)

Ignition	Bonneville T100	Bonneville T120
Ignition System	Digital inductive	Digital inductive
Spark Plug	NGK LMAR8A-9	NGK LMAR8A-9
Spark Plug Gap	0.035 in (0.9 mm) +0.0/- 0.004 in (0.0/- 0.1 mm)	0.035 in (0.9 mm) +0.0/- 0.004 in (0.0/- 0.1 mm)

Transmission	Bonneville T100	Bonneville T120
Transmission Type	5 speed, constant mesh	6 speed, constant mesh
Clutch Type	Wet, multiplate	Wet, multiplate
Final Drive Chain	DID 520 VP2-T, 102 link	RK 525 KRW2, 100 link
Primary Drive Ratio	93/74 (1.26)	93/74 (1.26)
Gear Ratio:		
1st	49/14 (3.5)	49/14 (3.5)
2nd	45/18 (2.5)	45/18 (2.5)
3rd	37/20 (1.85)	37/20 (1.85)
4th	37/25 (1.48)	37/25 (1.48)
5th	35/27 (1.3)	35/27 (1.3)
6th	N/A	34/29 (1.17)
Final Drive Ratio	41/17 (2.41)	37/17 (2.18)

Warning

Use the recommended tires **ONLY** in the combinations given.

Do not mix tires from different manufacturers or mix different specification tires from the same manufacturers as this may result in loss of motorcycle control and an accident.

Approved Tires

A list of approved tires specific to these models is available from your authorized Triumph dealer, or on the Internet at www.triumph.co.uk.

Specifications

Tires	Bonneville T100	Bonneville T120
Tire Sizes:		
Front	100/90-18	100/90-18
Rear	150/70 R17	150/70 R17
Tire Pressures (Cold):		
Front	32 lbs/in ² (2.2 bar)	32 lbs/in ² (2.2 bar)
Rear	36 lbs/in ² (2.5 bar)	36 lbs/in ² (2.5 bar)

Electrical Equipment	Bonneville T100	Bonneville T120
Battery Type	YTX12-BS	YTX12-BS
Battery Rating	12 Volt, 10 Ah	12 Volt, 10 Ah
Alternator	25 Amps at 1,000 rpm	25 Amps at 1,000 rpm
	46.5 Amps at 3,000 rpm	46.5 Amps at 3,000 rpm
Headlight	12 Volt, 60/55 Watt, H4 halogen	12 Volt, 60/55 Watt, H4 halogen
Tail/Brake Light	LED	LED
Turn Signal Lights	12 Volt, 10 Watt	12 Volt, 10 Watt

Frame	Bonneville T100	Bonneville T120
Rake	25.5°	25.5°
Trail	4.14 in (105.2 mm)	4.14 in (105.2 mm)

Tightening Torques	Bonneville T100 and Bonneville T120
Battery Terminals	39.8 lbf in (4.5 Nm)
ECM Unit Fasteners	89 lbf in (10 Nm)
Chain Adjuster Lock Nuts	15 lbf ft (20 Nm)
Chain Guard	80 lbf in (9 Nm)
Clutch Lever Nut	31 lbf in (3.5 Nm)
Oil Filter	89 lbf in (10 Nm)
Spark Plug	9 lbf ft (12 Nm)
Sump Plug	18 lbf ft (25 Nm)
Rear Wheel Spindle Nut	81 lbf ft (110 Nm)

Specifications

Fluids and Lubricants	Bonneville T100 and Bonneville T120
Bearings and Pivots	Grease to NLGI 2 specification
Brake Fluid	DOT 4 brake fluid
Coolant	Triumph HD4X Hybrid OAT coolant (pre-mixed)
Drive Chain	Chain spray suitable for XW-ring chains
Engine Oil	Semi or fully synthetic 10W/40 or 10W/50 motorcycle engine oil which meets specification API SH (or higher) and JASO MA, such as Castrol Power 1 Racing 4T 10W-40 (fully synthetic) engine oil, sold as Castrol Power RS Racing 4T 10W-40 (fully synthetic) in some countries.

Specifications

Bonneville T120 Ace and Bonneville T120 Diamond

Dimensions, Weights and Performance		
A list of model specific dimensions, weights and performance figures is available from your authorized Triumph dealer, or on the Internet at www.triumph.co.uk .		
Payload	Bonneville T120 Ace	Bonneville T120 Diamond
Maximum Payload	463 lb	463 lb
Engine	Bonneville T120 Ace	Bonneville T120 Diamond
Type	Liquid cooled parallel twin, 270° firing angle	Liquid cooled parallel twin, 270° firing angle
Displacement	1,200 cc	1,200 cc
Bore x Stroke	3.84 x 3.15 in (97.6 x 80 mm)	3.84 x 3.15 in (97.6 x 80 mm)
Compression Ratio	10:1	10:1
Cylinder Numbering	Left to right	Left to right
Cylinder Sequence	1-2	1-2
Firing Order	1-2	1-2
Starting System	Electric starter	Electric starter
Lubrication	Bonneville T120 Ace	Bonneville T120 Diamond
Lubrication System	Wet sump	Wet sump
Engine Oil Capacities:		
Dry Fill	1 gallon (3.8 liters)	1 gallon (3.8 liters)
Oil/Filter Change	0.9 gallon (3.4 liters)	0.9 gallon (3.4 liters)
Oil Change Only	0.85 gallon (3.2 liters)	0.85 gallon (3.2 liters)
Cooling	Bonneville T120 Ace	Bonneville T120 Diamond
Coolant Type	Triumph HD4X Hybrid OAT	Triumph HD4X Hybrid OAT
Water/Coolant Ratio	50/50 (pre-mixed as supplied by Triumph)	50/50 (pre-mixed as supplied by Triumph)
Coolant Capacity	0.41 gallon (1.558 liters)	0.41 gallon (1.558 liters)
Thermostat Opens	88°C +/- 2°C	88°C +/- 2°C
Fuel System	Bonneville T120 Ace	Bonneville T120 Diamond
Type	Electronic fuel injection	Electronic fuel injection
Fuel Pump	Submerged electronic	Submerged electronic
Fuel Pressure (nominal)	51 lbs/in ² (3.5 bar)	51 lbs/in ² (3.5 bar)

Specifications

Fuel	Bonneville T120 Ace	Bonneville T120 Diamond
Type	91 RON unleaded	91 RON unleaded
Tank Capacity	3.83 gallons (14.5 liters)	3.83 gallons (14.5 liters)

Ignition	Bonneville T120 Ace	Bonneville T120 Diamond
Ignition System	Digital inductive	Digital inductive
Spark Plug	NGK LMAR8A-9	NGK LMAR8A-9
Spark Plug Gap	0.035 in (0.9 mm) +0.0/- 0.004 in (0.0/- 0.1 mm)	0.035 in (0.9 mm) +0.0/- 0.004 in (0.0/- 0.1 mm)

Transmission	Bonneville T120 Ace	Bonneville T120 Diamond
Transmission Type	6 speed, constant mesh	6 speed, constant mesh
Clutch Type	Wet, multiplate	Wet, multiplate
Final Drive Chain	RK 525 KRW2, 100 link	RK 525 KRW2, 100 link
Primary Drive Ratio	93/74 (1.26)	93/74 (1.26)
Gear Ratio:		
1st	49/14 (3.5)	49/14 (3.5)
2nd	45/18 (2.5)	45/18 (2.5)
3rd	37/20 (1.85)	37/20 (1.85)
4th	37/25 (1.48)	37/25 (1.48)
5th	35/27 (1.3)	35/27 (1.3)
6th	34/29 (1.17)	34/29 (1.17)
Final Drive Ratio	37/17 (2.18)	37/17 (2.18)

Warning

Use the recommended tires **ONLY** in the combinations given.

Do not mix tires from different manufacturers or mix different specification tires from the same manufacturers as this may result in loss of motorcycle control and an accident.

Approved Tires

A list of approved tires specific to these models is available from your authorized Triumph dealer, or on the Internet at www.triumph.co.uk.

Specifications

Tires	Bonneville T120 Ace	Bonneville T120 Diamond
Tire Sizes:		
Front	100/90-18	100/90-18
Rear	150/70 R17	150/70 R17
Tire Pressures (Cold):		
Front	32 lbs/in ² (2.2 bar)	32 lbs/in ² (2.2 bar)
Rear	36 lbs/in ² (2.5 bar)	36 lbs/in ² (2.5 bar)

Electrical Equipment	Bonneville T120 Ace	Bonneville T120 Diamond
Battery Type	YTX12-BS	YTX12-BS
Battery Rating	12 Volt, 10 Ah	12 Volt, 10 Ah
Alternator	25 Amps at 1,000 rpm	25 Amps at 1,000 rpm
	46.5 Amps at 3,000 rpm	46.5 Amps at 3,000 rpm
Headlight	12 Volt, 60/55 Watt, H4 halogen	12 Volt, 60/55 Watt, H4 halogen
Tail/Brake Light	LED	LED
Turn Signal Lights	LED	LED

Frame	Bonneville T120 Ace	Bonneville T120 Diamond
Rake	25.5°	25.5°
Trail	4.14 in (105.2 mm)	4.14 in (105.2 mm)

Tightening Torques	Bonneville T120 Ace and Bonneville T120 Diamond
Battery Terminals	39.8 lbf in (4.5 Nm)
ECM Unit Fasteners	89 lbf in (10 Nm)
Chain Adjuster Lock Nuts	15 lbf ft (20 Nm)
Chain Guard	80 lbf in (9 Nm)
Clutch Lever Nut	31 lbf in (3.5 Nm)
Oil Filter	89 lbf in (10 Nm)
Spark Plug	9 lbf ft (12 Nm)
Sump Plug	18 lbf ft (25 Nm)
Rear Wheel Spindle Nut	81 lbf ft (110 Nm)

Specifications

Fluids and Lubricants	Bonneville T120 Ace and Bonneville T120 Diamond
Bearings and Pivots	Grease to NLGI 2 specification
Brake Fluid	DOT 4 brake fluid
Coolant	Triumph HD4X Hybrid OAT coolant (pre-mixed)
Drive Chain	Chain spray suitable for XW-ring chains
Engine Oil	Semi or fully synthetic 10W/40 or 10W/50 motorcycle engine oil which meets specification API SH (or higher) and JASO MA, such as Castrol Power 1 Racing 4T 10W-40 (fully synthetic) engine oil, sold as Castrol Power RS Racing 4T 10W-40 (fully synthetic) in some countries.

Specifications

Street Scrambler and Street Scrambler Sandstorm

Dimensions, Weights and Performance

A list of model specific dimensions, weights and performance figures is available from your authorized Triumph dealer, or on the Internet at www.triumph.co.uk.

Payload	Street Scrambler and Street Scrambler Sandstorm
Maximum Payload	492 lb (223 kg)

Engine	Street Scrambler and Street Scrambler Sandstorm
Type	Liquid cooled parallel twin, 270° firing angle
Displacement	900 cc
Bore x Stroke	3.33 x 3.15 in (84.6 x 80 mm)
Compression Ratio	11:1
Cylinder Numbering	Left to right
Cylinder Sequence	1-2
Firing Order	1-2
Starting System	Electric starter

Lubrication	Street Scrambler and Street Scrambler Sandstorm
Lubrication System	Wet sump
Engine Oil Capacities:	
Dry Fill	1 gallon (3.8 liters)
Oil/Filter Change	0.9 gallon (3.4 liters)
Oil Change Only	0.85 gallon (3.2 liters)

Cooling	Street Scrambler and Street Scrambler Sandstorm
Coolant Type	Triumph HD4X Hybrid OAT
Water/Coolant Ratio	50/50 (pre-mixed as supplied by Triumph)
Coolant Capacity	0.4 gallon (1.518 liters)
Thermostat Opens	88°C +/- 2°C

Fuel System	Street Scrambler and Street Scrambler Sandstorm
Type	Electronic fuel injection
Fuel Pump	Submerged electronic
Fuel Pressure (nominal)	51 lbs/in ² (3.5 bar)

Specifications

Fuel	Street Scrambler and Street Scrambler Sandstorm
Type	91 RON unleaded
Tank Capacity	12.0 litres

Ignition	Street Scrambler and Street Scrambler Sandstorm
Ignition System	Digital inductive
Spark Plug	NGK LMAR8A-9
Spark Plug Gap	0.035 in (0.9 mm) +0.0/- 0.004 in (0.0/- 0.1 mm)

Transmission	Street Scrambler and Street Scrambler Sandstorm
Transmission Type	5 speed, constant mesh
Clutch Type	Wet, multiplate
Final Drive Chain	DID 520 VP2-T, 102 link
Primary Drive Ratio	93/74 (1.26)
Gear Ratio:	
1st	49/14 (3.5)
2nd	45/18 (2.5)
3rd	37/20 (1.85)
4th	37/25 (1.48)
5th	35/27 (1.3)
Final Drive Ratio	41/17 (2.41)

Warning

Use the recommended tires **ONLY** in the combinations given.

Do not mix tires from different manufacturers or mix different specification tires from the same manufacturers as this may result in loss of motorcycle control and an accident.

Approved Tires

A list of approved tires specific to these models is available from your authorized Triumph dealer, or on the Internet at www.triumph.co.uk.

Tires	Street Scrambler and Street Scrambler Sandstorm
Tire Sizes:	
Front	100/90-19
Rear	150/70 R17

Specifications

Tires	Street Scrambler and Street Scrambler Sandstorm
Tire Pressures (Cold):	
Front	30 lbs/in ² (2.1 bar)
Rear	36 lbs/in ² (2.5 bar)

Electrical Equipment	Street Scrambler and Street Scrambler Sandstorm
Battery Type	YTX12-BS
Battery Rating	12 Volt, 10 Ah
Alternator	25 Amps at 1,000 rpm
	46.5 Amps at 3,000 rpm
Headlight	12 Volt, 60/55 Watt, H4 halogen
Tail/Brake Light	LED
Turn Signal Lights	12 Volt, 10 Watt
License Plate Light	12 Volt, 5 Watt

Frame	Street Scrambler and Street Scrambler Sandstorm
Rake	25.6°
Trail	4.31 in (109.6 mm)

Tightening Torques	Street Scrambler and Street Scrambler Sandstorm
Battery Terminals	39.8 lbf in (4.5 Nm)
ECM Unit Fasteners	89 lbf in (10 Nm)
Chain Adjuster Lock Nuts	15 lbf ft (20 Nm)
Chain Guard	80 lbf in (9 Nm)
Clutch Lever Nut	31 lbf in (3.5 Nm)
Oil Filter	89 lbf in (10 Nm)
Passenger Seat Fastener	27 lbf in (3 Nm)
Spark Plug	9 lbf ft (12 Nm)
Sump Plug	18 lbf ft (25 Nm)
Rear Wheel Spindle Nut	81 lbf ft (110 Nm)

Specifications

Fluids and Lubricants	Street Scrambler and Street Scrambler Sandstorm
Bearings and Pivots	Grease to NLGI 2 specification
Brake Fluid	DOT 4 brake fluid
Coolant	Triumph HD4X Hybrid OAT coolant (pre-mixed)
Drive Chain	Chain spray suitable for XW-ring chains
Engine Oil	Semi or fully synthetic 10W/40 or 10W/50 motorcycle engine oil which meets specification API SH (or higher) and JASO MA, such as Castrol Power 1 Racing 4T 10W-40 (fully synthetic) engine oil, sold as Castrol Power RS Racing 4T 10W-40 (fully synthetic) in some countries.

Specifications

Speed Twin

Dimensions, Weights and Performance
A list of model specific dimensions, weights and performance figures is available from your authorized Triumph dealer, or on the Internet at www.triumph.co.uk .

Payload	Speed Twin
Maximum Payload	467 lb (212 kg)

Engine	Speed Twin
Type	Liquid cooled parallel twin, 270° firing angle
Displacement	73.2 cu in (1200 cc)
Bore x Stroke	3.84 x 3.15 in (97.6 x 80 mm)
Compression Ratio	11:1
Cylinder Numbering	Left to right
Cylinder Sequence	1-2
Firing Order	1-2
Starting System	Electric starter

Lubrication	Speed Twin
Lubrication System	Wet sump
Engine Oil Capacities:	
Dry Fill	1 gallon (3.8 liters)
Oil/Filter Change	0.9 gallons (3.4 liters)
Oil Change Only	0.85 gallons (3.2 liters)

Cooling	Speed Twin
Coolant Type	Triumph HD4X Hybrid OAT
Water/Coolant Ratio	50/50 (pre-mixed as supplied by Triumph)
Coolant Capacity	0.412 gallons (1.558 liters)
Thermostat Opens	190°F (88°C) +/- 35°F (2°C)

Fuel System	Speed Twin
Type	Electronic fuel injection
Fuel Pump	Submerged electronic
Fuel Pressure (nominal)	50.8 lb/in ² (3.5 bar)

Specifications

Fuel	Speed Twin
Type	AKI octane rating (R+M)/2 of 87 unleaded
Tank Capacity	3.8 gallons (14.5 liters)

Ignition	Speed Twin
Ignition System	Digital inductive
Spark Plug	NGK LMAR8A-9
Spark Plug Gap	0.4 in +0.0/-0.004 in (0.9 mm +0.0/-0.1 mm)

Transmission	Speed Twin
Transmission Type	6 speed, constant mesh
Clutch Type	Wet, multiplate
Final Drive Chain	EK 525 ZVX3, 102 link
Primary Drive Ratio	93/74 (1.26)
Gear Ratio:	
1st	49/14 (3.5)
2nd	45/18 (2.5)
3rd	37/20 (1.85)
4th	37/25 (1.48)
5th	35/27 (1.3)
6th	34/29 (1.17)
Final Drive Ratio	42/16 (2.63)

Warning

Use the recommended tires **ONLY** in the combinations given.

Do not mix tires from different manufacturers or mix different specification tires from the same manufacturers as this may result in loss of motorcycle control and an accident.

Approved Tires

A list of approved tires specific to these models is available from your authorized Triumph dealer, or on the Internet at www.triumph.co.uk.

Specifications

Tires	Speed Twin
Tire Sizes:	
Front	120/70 R17
Rear	160/60 R17
Tire Pressures (Cold):	
Front	36 lb/in ² (2.5 bar)
Rear	42 lb/in ² (2.9 bar)

Electrical Equipment	Speed Twin
Battery Type	YTZ10S
Battery Rating	12 Volt, 8.6 Ah
Alternator	25 Amps at 1,000 rpm
	46.5 Amps at 3,000 rpm
Headlight	12 Volt, 60/55 Watt, H4 Halogen
Tail/Brake Light	LED
Turn Signal Lights	12 Volt, 10 Watt
License Plate Light	LED

Frame	Speed Twin
Rake	22.8°
Trail	3.7 in (93.5 mm)

Tightening Torques	Speed Twin
Battery Terminals	40 lbf in (4.5 Nm)
Chain Adjuster Lock Nuts	15 lbf ft (20 Nm)
Chain Guard	80 lbf in (9 Nm)
Clutch Lever Nut	31 lbf in (3.5 Nm)
Oil Filter	89 lbf in (10 Nm)
Spark Plug	9 lbf ft (12 Nm)
Sump Plug	18 lbf ft (25 Nm)
Rear Wheel Spindle Nut	81 lbf ft (110 Nm)

Specifications

Fluids and Lubricants	Speed Twin
Bearings and Pivots	Grease to NLGI 2 specification
Brake Fluid	DOT 4 brake fluid
Coolant	Triumph HD4X Hybrid OAT coolant (pre-mixed)
Drive Chain	Chain spray suitable for XW-ring chains
Engine Oil	Semi or fully synthetic 10W/40 or 10W/50 motorcycle engine oil which meets specification API SH (or higher) and JASO MA, such as Castrol Power 1 Racing 4T 10W-40 (fully synthetic) engine oil, sold as Castrol Power RS Racing 4T 10W-40 (fully synthetic) in some countries.

Specifications

Street Twin and Street Twin Goldline

Dimensions, Weights and Performance

A list of model specific dimensions, weights and performance figures is available from your authorized Triumph dealer, or on the Internet at www.triumph.co.uk.

Payload	Street Twin and Street Twin Goldline
Maximum Payload	463 lb (210 kg)

Engine	Street Twin and Street Twin Goldline
Type	Liquid cooled parallel twin, 270° firing angle
Displacement	900 cc
Bore x Stroke	3.33 x 3.15 in (84.6 x 80 mm)
Compression Ratio	11:1
Cylinder Numbering	Left to right
Cylinder Sequence	1-2
Firing Order	1-2
Starting System	Electric starter

Lubrication	Street Twin and Street Twin Goldline
Lubrication System	Wet sump
Engine Oil Capacities:	
Dry Fill	1 gallon (3.8 liters)
Oil/Filter Change	0.9 gallon (3.4 liters)
Oil Change Only	0.85 gallon (3.2 liters)

Cooling	Street Twin and Street Twin Goldline
Coolant Type	Triumph HD4X Hybrid OAT
Water/Coolant Ratio	50/50 (pre-mixed as supplied by Triumph)
Coolant Capacity	0.4 gallon (1.518 liters)
Thermostat Opens	88°C +/- 2°C

Fuel System	Street Twin and Street Twin Goldline
Type	Electronic fuel injection
Fuel Pump	Submerged electronic
Fuel Pressure (nominal)	51 lbs/in ² (3.5 bar)

Specifications

Fuel	Street Twin and Street Twin Goldline
Type	91 RON unleaded
Tank Capacity	12.0 litres

Ignition	Street Twin and Street Twin Goldline
Ignition System	Digital inductive
Spark Plug	NGK LMAR8A-9
Spark Plug Gap	0.035 in (0.9 mm) +0.0/- 0.004 in (0.0/- 0.1 mm)

Transmission	Street Twin and Street Twin Goldline
Transmission Type	5 speed, constant mesh
Clutch Type	Wet, multiplate
Final Drive Chain	DID 520 VP2-T, 102 link
Primary Drive Ratio	93/74 (1.26)
Gear Ratio:	
1st	49/14 (3.5)
2nd	45/18 (2.5)
3rd	37/20 (1.85)
4th	37/25 (1.48)
5th	35/27 (1.3)
Final Drive Ratio	41/17 (2.41)

Warning

Use the recommended tires **ONLY** in the combinations given.

Do not mix tires from different manufacturers or mix different specification tires from the same manufacturers as this may result in loss of motorcycle control and an accident.

Approved Tires

A list of approved tires specific to these models is available from your authorized Triumph dealer, or on the Internet at www.triumph.co.uk.

Tires	Street Twin and Street Twin Goldline
Tire Sizes:	
Front	100/90-18
Rear	150/70 R17

Specifications

Tires	Street Twin and Street Twin Goldline
Tire Pressures (Cold):	
Front	32 lbs/in ² (2.2 bar)
Rear	36 lbs/in ² (2.5 bar)

Electrical Equipment	Street Twin and Street Twin Goldline
Battery Type	YTX12-BS
Battery Rating	12 Volt, 10 Ah
Alternator	25 Amps at 1,000 rpm
	46.5 Amps at 3,000 rpm
Headlight	12 Volt, 60/55 Watt, H4 halogen
Tail/Brake Light	LED
Turn Signal Lights	12 Volt, 10 Watt
License Plate Light	12 Volt, 5 Watt

Frame	Street Twin and Street Twin Goldline
Rake	25.1°
Trail	4.03 in (102.4 mm)

Tightening Torques	Street Twin and Street Twin Goldline
Battery Terminals	39.8 lbf in (4.5 Nm)
ECM Unit Fasteners	89 lbf in (10 Nm)
Chain Adjuster Lock Nuts	15 lbf ft (20 Nm)
Chain Guard	80 lbf in (9 Nm)
Clutch Lever Nut	31 lbf in (3.5 Nm)
Oil Filter	89 lbf in (10 Nm)
Spark Plug	9 lbf ft (12 Nm)
Sump Plug	18 lbf ft (25 Nm)
Rear Wheel Spindle Nut	81 lbf ft (110 Nm)

Fluids and Lubricants	Street Twin and Street Twin Goldline
Bearings and Pivots	Grease to NLGI 2 specification
Brake Fluid	DOT 4 brake fluid
Coolant	Triumph HD4X Hybrid OAT coolant (pre-mixed)
Drive Chain	Chain spray suitable for XW-ring chains
Engine Oil	Semi or fully synthetic 10W/40 or 10W/50 motorcycle engine oil which meets specification API SH (or higher) and JASO MA, such as Castrol Power 1 Racing 4T 10W-40 (fully synthetic) engine oil, sold as Castrol Power RS Racing 4T 10W-40 (fully synthetic) in some countries.

Specifications

Thruxton RS

Dimensions, Weights and Performance	
A list of model specific dimensions, weights and performance figures is available from your authorized Triumph dealer, or on the Internet at www.triumph.co.uk .	
Payload	Thruxton RS
Maximum Payload	463 lb (210 kg)
Engine	Thruxton RS
Type	Liquid cooled parallel twin, 270° firing angle
Displacement	73.2 cu in (1,200 cc)
Bore x Stroke	3.84 x 3.15 in (97.6 x 80 mm)
Compression Ratio	12.066:1
Cylinder Numbering	Left to right
Cylinder Sequence	1-2
Firing Order	1-2
Starting System	Electric starter
Lubrication	Thruxton RS
Lubrication System	Wet sump
Engine Oil Capacities:	
Dry Fill	1 gallon (3.8 liters)
Oil/Filter Change	0.9 gallons (3.4 liters)
Oil Change Only	0.85 gallons (3.2 liters)
Cooling	Thruxton RS
Coolant Type	Triumph HD4X Hybrid OAT
Water/Coolant Ratio	50/50 (pre-mixed as supplied by Triumph)
Coolant Capacity	0.412 gallons (1.558 liters)
Thermostat Opens	167°F (75°C) +/- 35°F (2°C)
Fuel System	Thruxton RS
Type	Electronic fuel injection
Fuel Pump	Submerged electronic
Fuel Pressure (nominal)	50.8 lb/in ² (3.5 bar)

Specifications

Fuel	Thruxton RS
Type	95 RON unleaded
Tank Capacity	3.7 gallons (14.0 liters)

Ignition	Thruxton RS
Ignition System	Digital inductive
Spark Plug	NGK LMAR8A-9
Spark Plug Gap	0.4 in +0.0/-0.004 in (0.9 mm +0.0/-0.1 mm)

Transmission	Thruxton RS
Transmission Type	6 speed, constant mesh
Clutch Type	Wet, multiplate
Final Drive Chain	EK 525 ZVX3, 100 link
Primary Drive Ratio	93/74 (1.26)
Gear Ratio:	
1st	49/14 (3.5)
2nd	45/18 (2.5)
3rd	37/20 (1.85)
4th	37/25 (1.48)
5th	35/27 (1.3)
6th	34/29 (1.17)
Final Drive Ratio	42/16 (2.63)

Warning

Use the recommended tires **ONLY** in the combinations given.

Do not mix tires from different manufacturers or mix different specification tires from the same manufacturers as this may result in loss of motorcycle control and an accident.

Approved Tires

A list of approved tires specific to these models is available from your authorized Triumph dealer, or on the Internet at www.triumph.co.uk.

Specifications

Tires	Thruxton RS
Tire Sizes:	
Front	120/70 ZR17
Rear	160/60 ZR17
Tire Pressures (Cold):	
Front	36 lb/in ² (2.5 bar)
Rear	36 lb/in ² (2.5 bar)

Electrical Equipment	Thruxton RS
Battery Type	YTZ10S
Battery Rating	12 Volt, 8.6 Ah
Alternator	22 Amps at 1,000 rpm
	32 Amps at 3,000 rpm
Headlight	12 Volt, 60/55 Watt, H4 Halogen
Tail Lights	LED
Turn Signal Lights	LED (if equipped) 12 Volt, 10 Watt

Frame	Thruxton RS
Rake	22.8°
Trail	3.63 in (92.1 mm)

Tightening Torques	Thruxton RS
Battery Terminals	40 lbf in (4.5 Nm)
Chain Adjuster Lock Nuts	15 lbf ft (20 Nm)
Chain Guard	80 lbf in (9 Nm)
Clutch Lever Nut	31 lbf in (3.5 Nm)
Oil Filter	89 lbf in (10 Nm)
Spark Plug	9 lbf ft (12 Nm)
Sump Plug	18 lbf ft (25 Nm)
Rear Wheel Spindle Nut	81 lbf ft (110 Nm)

Specifications

Fluids and Lubricants	Thruxton RS
Bearings and Pivots	Grease to NLGI 2 specification
Brake Fluid	DOT 4 brake fluid
Coolant	Triumph HD4X Hybrid OAT coolant (pre-mixed)
Drive Chain	Chain spray suitable for XW-ring chains
Engine Oil	Semi or fully synthetic 10W/40 or 10W/50 motorcycle engine oil which meets specification API SH (or higher) and JASO MA, such as Castrol Power 1 Racing 4T 10W-40 (fully synthetic) engine oil, sold as Castrol Power RS Racing 4T 10W-40 (fully synthetic) in some countries.

This page intentionally left blank

Index

- A**
- Accessories..... 93
 - Anti-lock Braking System (ABS)..... 87
 - Disable..... 53
 - Enable..... 53
 - Indicator Light..... 37
- B**
- Bank Angle Indicators..... 136
 - Battery..... 143
 - Charging..... 145
 - Discharge..... 144
 - Disposal..... 144
 - Installation..... 146, 146
 - Maintenance..... 144
 - Removal..... 143, 144
 - Storage..... 145
 - Brakes
 - Anti-Lock Braking System (ABS)..... 87
 - Brake Lever Adjuster..... 64, 64
 - Brake Wear Inspection..... 117
 - Breaking in New Pads and Discs..... 118
 - Disc Brake Fluid..... 120
 - Front Brake Fluid Adjustment..... 121, 122
 - Front Brake Fluid Inspection..... 120, 122
 - Light Switches..... 126
 - Pad Wear Compensation..... 119
 - Rear Fluid Inspection and Adjustment..... 124, 125
 - Breaking-In..... 76
- C**
- Cleaning
 - After Washing..... 158
 - Aluminum Items -
 - not Lacquered or Painted..... 159
 - Black Chrome Items..... 160
 - Care of Leather Products..... 163
 - Chrome and Stainless Steel..... 160
 - Drying..... 161
 - Exhaust System..... 161
 - Frequency of Cleaning..... 156
 - Gloss Paintwork..... 159
 - Matt Paintwork..... 159
 - Preparation for Washing..... 156
 - Protecting..... 161
 - Seat Care..... 162
 - Washing..... 158
 - Washing the Exhaust..... 161
 - Where to be Careful..... 157
 - Windshield..... 163
 - Clock..... 45
 - Adjustment..... 45
 - Clutch..... 112
 - Adjustment..... 112
 - Inspection..... 112
 - Clutch Lever
 - Adjustment..... 62, 63
 - Cooling System..... 107
 - Coolant Change..... 110
 - Coolant Level Inspection..... 108, 108, 109
 - Corrosion Inhibitors..... 107
 - High Coolant Temperature Warning Light..... 36
 - Level Adjustment..... 110, 110
 - Specifications..... 168, 172, 176, 180, 184, 188
 - Cruise Control..... 50
 - Button..... 61
 - Cruise Control (if equipped)
 - Indicator Light..... 38
- D**
- Daily Safety Checks..... 77

Index

Daytime Running Lights (DRL)	39
Drive Chain	113
Lubrication	113
Movement Adjustment	115
Movement Inspection	114
Wear Inspection	116

E

Electrical Equipment	
Specifications	170, 174, 178, 182, 186, 190
Engine	
Moving Off	83
Serial Number	29
Specifications	168, 172, 176, 180, 184, 188
Starting the Engine	82
Stopping the Engine	81
Engine Immobilizer / Indicator Light	37
Engine Oil	103
Disposal of Oil and Filters	106
Level Inspection	104
Low Oil Pressure Warning Light	36
Oil Filter Change	104
Specification and Grade	106
Engine Start/Stop Switch	
RUN Position	59
START Position	59
STOP Position	59

F

Fluids	
Specifications	171, 175, 179, 183, 187, 191
Frame	
Specifications	170, 174, 178, 182, 186, 190
Fuel	
Filling the Fuel Tank	67
Fuel Grade	64
Fuel Tank Cap	66
Low Fuel Indicator Light	39
Refueling	66
Specifications	169, 173, 177, 181, 185, 189
System Specifications	
	168, 172, 176, 180, 184, 188

Fuses	
Fuse Box Location	147
Fuse Identification	147

G

Gears	
Shifting	84

H

Hazards	
Warning Lights	59
Headlights	148
Adjustment	150
Bulb Replacement	149
Helmet Hook	72
High Beam	
Indicator Light	61
High Speed Operation	90

I

Ignition	
Ignition Key	57
Ignition Switch/Steering Lock	57
Immobiliser	57
Specifications	169, 173, 177, 181, 185, 189
Instruments	
Average Fuel Consumption	43
Clock	45
Fuel Gage	42
Gear Position Display	41
Instrument Panel Layout	34, 35
Range to Empty	42
Speedometer	41
Tachometer	41
Trip Meter	44

L

Left Handlebar Switches	60, 60
Daytime Running Light Switch	60
Horn Button	61
SCROLL Button	60
Turn Signal Switch	61
License Plate Light	152
Bulb Replacement	153

Lights	
Hazards.....	59
Loading.....	94
Lubrication	
Specifications.....	168, 172, 176, 180, 184, 188
M	
Maintenance	
Scheduled Maintenance.....	99
Mirrors.....	127
Bar End Mirrors.....	127
MODE Button.....	59, 61
Multifunctional Tail Lights.....	151
O	
Owner's Handbook.....	71
P	
Parking.....	89
Parts Identification.....	16, 18, 20, 22, 24
Rider View.....	26, 27
Passengers.....	95
Payload	
Specifications.....	168, 172, 176, 180, 184, 188
R	
Riding Modes.....	46
Selecting When Riding the Motorcycle.....	48
Selecting When the Motorcycle is Stationary.....	47
Right Handlebar Switches.....	58
Hazard Warning Lights Switch.....	59
S	
Safety	
Fuel and Exhaust Fumes.....	8
Handlebars and Footrests.....	13
Helmet and Clothing.....	9
Maintenance and Equipment.....	11
Motorcycle.....	7
Parking.....	10
Parts and Accessories.....	10
Riding.....	11
Seats	
Installation.....	73
Passenger Seat Installation.....	74
Passenger Seat Removal.....	74
Removal.....	73
Rider's Seat Installation.....	74
Rider's Seat Removal.....	74
Seat Care.....	72, 162
Seat Lock.....	73
Side Panels.....	69
Reinstall.....	70, 71
Removal.....	69, 70, 71
Specifications	
Bonneville T100.....	168
Bonneville T120.....	168
Bonneville T120 Ace.....	172
Bonneville T120 Diamond.....	172
Speed Twin.....	180
Street Scrambler.....	176
Street Scrambler Sandstorm.....	176
Street Twin.....	184
Street Twin Goldline.....	184
Thruxton RS.....	188
Stand	
Center Stand.....	69
Side Stand.....	68
Steering	
Inspection.....	128
Storage	
Preparation after Storage.....	165
Preparation for Storage.....	164
Suspension	
Front Adjustment.....	130
Front Compression Damping Adjustment.....	131
Front Fork Inspection.....	132
Front Preload Adjustment.....	131
Front Rebound Damping Adjustment.....	131
Front Suspension Settings.....	130, 130
Rear Compression Damping Adjustment.....	135
Rear Preload Adjustment.....	134, 134
Rear Rebound Damping Adjustment.....	135
Rear Suspension Settings.....	133, 133

Index

T	
Tail Light.....	151
Throttle Control.....	62, 111
Inspection.....	111
Tire Pressure Monitoring System (TPMS).....	54
Replacement Tires.....	56
Sensor Serial Number.....	54
Tire Pressures.....	56, 138
Tires.....	197
Minimum Tread Depth.....	139
Replacement.....	56, 139
Specifications.....	170, 174, 177, 182, 185, 190
Tire Inflation Pressures.....	138
Tire Wear.....	139
Tool Kit.....	71
Torque Specifications.....	170, 174, 178, 182, 186, 190
Traction Control (TC).....	51
Disable.....	52
Disabled Warning Light.....	39
Indicator Light.....	38
Settings.....	51
Transmission	
Specifications.....	169, 173, 177, 181, 185, 189
Turn Signal Lights	
Bulb Replacement.....	151, 152
LED Lights.....	151
Turn Signals	
Warning Light.....	39
U	
Universal Serial Bus (USB) Socket.....	76
V	
Vehicle Identification Number (VIN).....	29
W	
Warnings.....	3
Immobilizer and TPMS.....	197
Maintenance.....	3
Noise Control System.....	4
Owner's Handbook.....	4
Warning Label Locations.....	14, 15
Warning Labels.....	3
Warning Lights.....	36
Wheel Bearings	
Inspection.....	129
Windshield	
Cleaning.....	163

Approval Information

This section contains approval information that is required to be included in this Owner's Handbook.

FCC Statement

This device complies with part 15 of the Federal Communications Commission (FCC) Rules.

Operation is subject to the following two conditions:

1. This device may not cause harmful interference.
2. This device must accept any interference received, including interference that may cause undesired operation.

Changes or modifications to the device could void the user's authority to operate the equipment.

Tires

With reference to the Pneumatic Tires and Tubes for Automotive Vehicles (Quality Control) Order, 2009, Cl. No. 3 (c), it is declared by M/s. Triumph Motorcycles Ltd. that the tires mounted on this motorcycle meet the requirements of IS 15627: 2005 and comply with the requirements under Central Motor Vehicle Rules (CMVR), 1989.

Approval Information

This page intentionally left blank