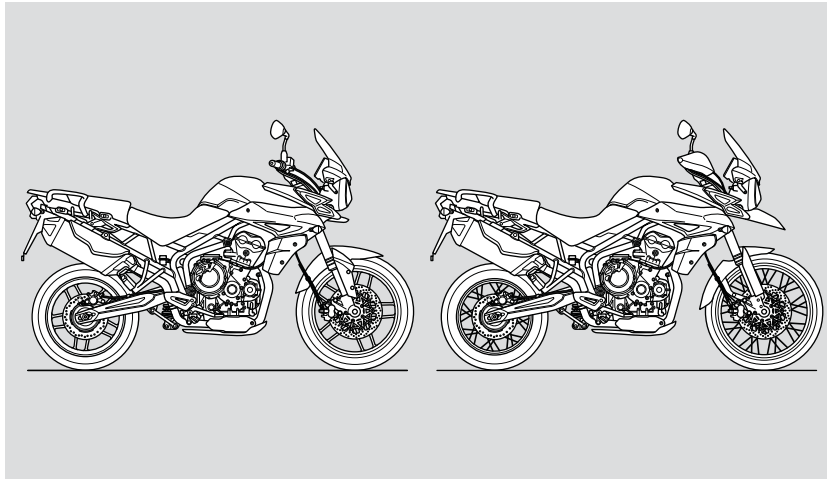



### FOREWORD


This handbook contains information on the Triumph Tiger 800 and Tiger 800XC motorcycles. Always store this owner's handbook with the motorcycle and refer to it for information whenever necessary.



### Warnings, Cautions and Notes

Throughout this owner's handbook particularly important information is presented in the following form:

 <b>Warning</b>
This warning symbol identifies special instructions or procedures, which if not correctly followed could result in personal injury, or loss of life.

 <b>Caution</b>
This caution symbol identifies special instructions or procedures, which, if not strictly observed, could result in damage to, or destruction of, equipment.

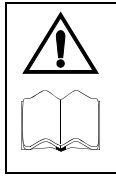
**Note:**

- **This note symbol indicates points of particular interest for more efficient and convenient operation.**

## Foreword

---

### Warning Labels



At certain areas of the motorcycle, the symbol (left) can be seen. The symbol means 'CAUTION: REFER TO THE HANDBOOK' and will be followed by a pictorial representation of the subject concerned.

Never attempt to ride the motorcycle or make any adjustments without reference to the relevant instructions contained in this handbook.

See page 14 for the location of all labels bearing this symbol. Where necessary, this symbol will also appear on the pages containing the relevant information.

### Maintenance

To ensure a long, safe and trouble free life for your motorcycle, maintenance should only be carried out by an authorized Triumph dealer. Only an authorized Triumph dealer will have the necessary knowledge, equipment and skills to maintain your Triumph motorcycle correctly.

To locate your nearest Triumph dealer, visit the Triumph web-site at [www.triumph.co.uk](http://www.triumph.co.uk) or telephone Triumph Motorcycles America Limited on (678) 854 2010.

### Off-road Use

The Tiger 800XC is designed for on-road and light off-road use.

The Tiger 800 is designed for on-road use only.

### Noise Control System

Tampering with the Noise Control System is Prohibited.

Owners are warned that the law may prohibit:

- The removal or rendering inoperative by any person other than for purposes of maintenance, repair or replacement, of any device or element of design incorporated into any new vehicle for the purpose of noise control prior to its sale or delivery to the ultimate purchaser or while it is in use and,
- the use of the vehicle after such device or element of design has been removed or rendered inoperative by any person.

## Foreword

---

### **Immobiliser and Tire Pressure Monitoring System**

This device complies with part 15 of the FCC Rules.

Operation is subject to the following two conditions:

- This device may not cause harmful interference;
- This device must accept any interference received, including interference that may cause undesired operation.

Changes or modifications to the device could void the user's authority to operate the equipment.

### **Owner's Handbook**

Thank you for choosing a Triumph motorcycle. This motorcycle is the product of Triumph's use of proven engineering, exhaustive testing, and continuous striving for superior reliability, safety and performance.

Please read this owner's handbook before riding in order to become thoroughly familiar with the correct operation of your motorcycle's controls, its features, capabilities and limitations.

This handbook includes safe riding tips, but does not contain all the techniques and skills necessary to ride a motorcycle safely.

Triumph strongly recommends that all riders undertake a safety course approved by the Motorcycle Safety Foundation to ensure safe operation of this motorcycle.

Information about the nearest Motorcycle Safety Foundation course to you can be obtained by calling the following nationwide toll free number: 800-447-4700, or by writing to the Motorcycle Safety Foundation at: 2, Jenner Street, Irvine, California 92718. To ensure a long and trouble free life for your motorcycle, maintenance should be carried out as described in this manual by an authorized Triumph dealer.

This handbook is also available from your local dealer in:

- Brazilian Portuguese;
- Dutch;
- French;
- German;
- Italian;
- Japanese;
- Spanish;
- Swedish.

## Foreword

---

### **Warning**

This owner's handbook, and all other instructions that are supplied with your motorcycle, should be considered a permanent part of your motorcycle and should remain with it even if your motorcycle is subsequently sold.

All riders must read this owner's handbook and all other instructions which are supplied with your motorcycle, before riding, in order to become thoroughly familiar with the correct operation of your motorcycle's controls, its features, capabilities and limitations. Do not lend your motorcycle to others as riding when not familiar with your motorcycle's controls, features, capabilities and limitations can lead to an accident.

### **Talk to Triumph**

Our relationship with you does not end with the purchase of your Triumph. Your feedback on the buying and ownership experience is very important in helping us develop our products and services for you. Please help us by ensuring your dealership has your E-mail address and registers this with us. You will then receive an online customer satisfaction survey invitation to your E-mail address where you can give us this feedback.

Your Triumph Team.

### **Information**

The information contained in this publication is based on the latest information available at the time of printing. Triumph reserves the right to make changes at any time without prior notice, or obligation.

Not to be reproduced wholly or in part without the written permission of Triumph Motorcycles America Limited.

© Copyright 07.2013 Triumph Motorcycles America Limited.

Publication part number 3856671 issue 1.

## Foreword

---

### Table of Contents

This handbook contains a number of different sections. The table of contents below will help you find the beginning of each section where, in the case of the major sections, a further table of contents will help you find the specific subject required.

Foreword .....	1
Warning Labels .....	14
Parts Identification .....	16
Serial Numbers .....	21
General Information .....	23
How to Ride the Motorcycle .....	57
Accessories, Loading and Passengers .....	69
Maintenance and Adjustment .....	73
Storage .....	123
Specifications .....	125

## Foreword - Safety First

---

### FOREWORD - SAFETY FIRST

#### The Motorcycle

 **Warning**

The Tiger 800XC is designed for light off-road use. Extreme off-road use could lead to loss of motorcycle control and an accident.

 **Warning**

The Tiger 800 is designed for on-road use only. It is not suitable for off-road use. Off-road operation could lead to loss of control of the motorcycle resulting in an accident causing injury or loss of life.

 **Warning**

This motorcycle is not designed to tow a trailer or be fitted with a sidecar. Fitting a sidecar and/or a trailer may result in loss of control and an accident.

 **Warning**

This motorcycle is designed for use as a two-wheeled vehicle capable of carrying a rider on his/her own, or a rider and one passenger.

The total weight of the rider, and any passenger, accessories and luggage must not exceed the maximum load limit of:

Tiger 800 - 496 lb (225 kg);

Tiger 800XC - 492 lb (223 kg).

 **Warning**

This motorcycle is fitted with a catalytic converter below the engine, which along with the exhaust system reaches very high temperature during engine operation. Flammable materials such as grass, hay/straw, leaves, clothing and luggage etc. could ignite if allowed to come into contact with any part of the exhaust system and catalytic converter; always ensure flammable materials are not allowed to contact the exhaust system or catalytic converter.

## Foreword - Safety First

---

### Fuel and Exhaust Fumes

 **Warning**

**GASOLINE IS HIGHLY FLAMMABLE:**

Always turn off the engine when refuelling. Do not refuel or open the fuel filler cap while smoking or in the vicinity of any open (naked) flame.

Take care not to spill any gasoline on the engine, exhaust pipes or mufflers when refuelling.

If gasoline is swallowed, inhaled or allowed to get into the eyes, seek immediate medical attention.

Spillage on the skin should be immediately washed off with soap and water and clothing contaminated with gasoline should immediately be removed.

Burns and other serious skin conditions may result from contact with gasoline.

 **Warning**

Never start your engine or let it run for any length of time in a closed area. The exhaust fumes are poisonous and may cause loss of consciousness and death within a short time. Always operate your motorcycle in the open-air or in an area with adequate ventilation.

## Foreword - Safety First

---

### Safety Helmet and Clothing

#### Warning

When riding the motorcycle, both rider and passenger must always wear a motorcycle helmet, eye protection, gloves, boots, trousers (close fitting around the knee and ankle) and a brightly colored jacket. Brightly colored clothing will considerably increase a rider's (or passenger's) visibility to other operators of road vehicles. Although full protection is not possible, wearing correct protective clothing can reduce the risk of injury when riding.

#### Warning

A helmet is one of the most important pieces of riding gear as it offers protection against head injuries. You and your passenger's helmet should be carefully chosen and should fit you or your passenger's head comfortably and securely. A brightly colored helmet will increase a rider's (or passenger's) visibility to other operators of road vehicles.

An open face helmet offers some protection in an accident though a full face helmet will offer more.

Always wear a visor or approved goggles to help vision and to protect your eyes.



When choosing a helmet, always look for a DOT (Department of Transport) sticker indicating that the helmet has DOT approval. Do not buy a helmet without DOT approval.



## Foreword - Safety First

---

### Parking

#### Warning

Always turn off the engine and remove the ignition key before leaving the motorcycle unattended. By removing the key, the risk of use of the motorcycle by unauthorized or untrained persons is reduced.

When parking the motorcycle, always remember the following:

Engage first gear to help prevent the motorcycle from rolling off the stand.

The engine and exhaust system will be hot after riding. DO NOT park where pedestrians, animals and/or children are likely to touch the motorcycle.

Do not park on soft ground or on a steeply inclined surface. Parking under these conditions may cause the motorcycle to fall over.

For further details, please refer to the 'How to Ride the Motorcycle' section of this owner's handbook.

### Parts and Accessories

#### Warning

Owners should be aware that the only approved parts, accessories and conversions for any Triumph motorcycle are those which carry official Triumph approval and are fitted to the motorcycle by an authorized dealer.

In particular, it is extremely hazardous to fit or replace parts or accessories whose fitting requires the dismantling of, or addition to, either the electrical or fuel systems and any such modification could cause a safety hazard.

The fitting of any non-approved parts, accessories or conversions may adversely affect the handling, stability or other aspect of the motorcycle operation that may result in an accident causing injury or death.

Triumph does not accept any liability whatsoever for defects caused by the fitting of non-approved parts, accessories or conversions or the fitting of any approved parts, accessories or conversions by non-approved personnel.

## Foreword - Safety First

---

### Maintenance/Equipment

#### Warning

Consult your authorized Triumph dealer whenever there is doubt as to the correct or safe operation of this Triumph motorcycle.

Remember that continued operation of an incorrectly performing motorcycle may aggravate a fault and may also compromise safety.

#### Warning

Ensure all equipment that is required by law is installed and functioning correctly. The removal or alteration of the motorcycle's lights, mufflers, emission or noise control systems can violate the law. Incorrect or improper modification may adversely affect the handling, stability or other aspect of the motorcycle operation, which may result in an accident causing injury or death.

#### Warning

If the motorcycle is involved in an accident, collision or fall, it must be taken to an authorized Triumph dealer for inspection and repair. Any accident can cause damage to the motorcycle that, if not correctly repaired, may cause a second accident that may result in injury or death.

### Riding

#### Warning

Never ride the motorcycle when fatigued or under the influence of alcohol or other drugs.

Riding when under the influence of alcohol or other drugs is illegal.

Riding when fatigued or under the influence of alcohol or other drugs reduces the rider's ability to maintain control of motorcycle and may lead to loss of control and an accident.

#### Warning

All riders must be licensed to operate the motorcycle. Operation of the motorcycle without a license is illegal and could lead to prosecution.

Operation of the motorcycle without formal training in the correct riding techniques that are necessary to become licensed is dangerous and may lead to loss of motorcycle control and an accident.

#### Warning

Always ride defensively and wear the protective equipment mentioned elsewhere in this foreword. Remember, in an accident, a motorcycle does not give the same impact protection as a car.

## Foreword - Safety First

---

### **Warning**

This Triumph motorcycle should be operated within the legal speed limits for the particular road travelled. Operating a motorcycle at high speeds can be potentially dangerous since the time available to react to given traffic situations is greatly reduced as road speed increases. Always reduce speed in potentially hazardous driving conditions such as bad weather or heavy traffic.

### **Warning**

Continually observe and react to changes in road surface, traffic and wind conditions. All two-wheeled vehicles are subject to external forces which may cause an accident. These forces include but are not limited to:

- Wind draft from passing vehicles;
- Potholes, uneven or damaged road surfaces;
- Bad weather;
- Rider error.

Always operate the motorcycle at moderate speed and away from heavy traffic until you have become thoroughly familiar with its handling and operating characteristics. Never exceed the legal speed limit.

### **Warning**

Banking to an unsafe angle may cause instability, loss of motorcycle control and an accident.

### **Warning**

Ensure that you know and respect the rules of the road. Read and observe publications such as 'MOTORCYCLE SAFETY', 'YOU AND YOUR MOTORCYCLE, RIDING TIPS' and also read and become familiar with the contents of the MOTORCYCLE HANDBOOK for your state.

### **Caution**

This Triumph motorcycle is not fitted with spark arresters. Operation in forests, brush or grass areas may violate state and local laws and regulations.

## Foreword - Safety First

---

### Note:

#### WOBBLE/WEAVE

A weave is a relatively slow oscillation of the rear of the motorcycle, while a wobble is a rapid, possibly strong shaking of the handlebar. These are related but distinct stability problems usually caused by excessive weight in the wrong place, or by a mechanical problem such as worn or loose bearings or under-inflated or unevenly worn tires.

Your solution to both situations is the same. Keep a firm hold on the handlebars without locking arms or fighting the steering. Smoothly ease off the throttle to slow gradually. Do not apply the brakes, and do not accelerate to try to stop the wobble or weave. In some cases, it helps to shift your body weight forward by leaning over the tank.

Copyright © 2005 Motorcycle Safety Foundation. All rights reserved. Used with permission.

### Handlebars and Footrests

#### Warning

The rider must maintain control of the vehicle by keeping hands on the handlebars at all times.

The handling and stability of a motorcycle will be adversely affected if the rider removes his hands from the handlebars, resulting in loss of motorcycle control and an accident.

#### Warning

The rider and passenger must always use the footrests provided, during operation of the vehicle.

By using the footrests, both rider and passenger will reduce the risk of inadvertent contact with any motorcycle components and will also reduce the risk of injury from entrapment of clothing.

## Foreword - Safety First

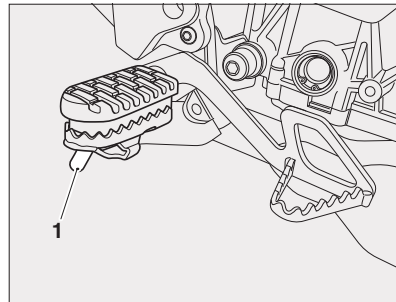
---

### Bank angle Indicators

 **Warning**

When banking and the bank angle indicator, attached to the rider's footrest, makes contact with the ground, the motorcycle is nearing its bank angle limit. A further increase of the banking angle is unsafe.

Banking to an unsafe angle may cause instability, loss of motorcycle control and an accident causing injury or death.



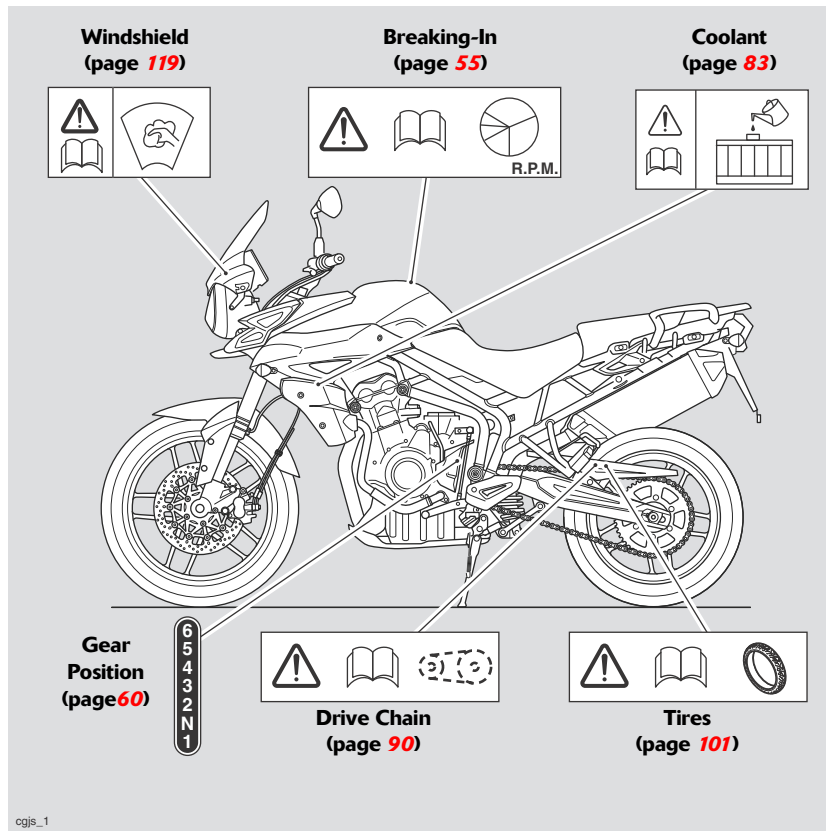
**1. Bank angle indicator (Tiger 800 shown)**

## Warning Labels

### WARNING LABELS

The labels detailed on this and the following pages draw your attention to important safety information in this handbook. Before riding, ensure that all riders have understood and complied with all the information to which these labels relate.

#### Warning Label Locations - Tiger 800 and Tiger 800XC

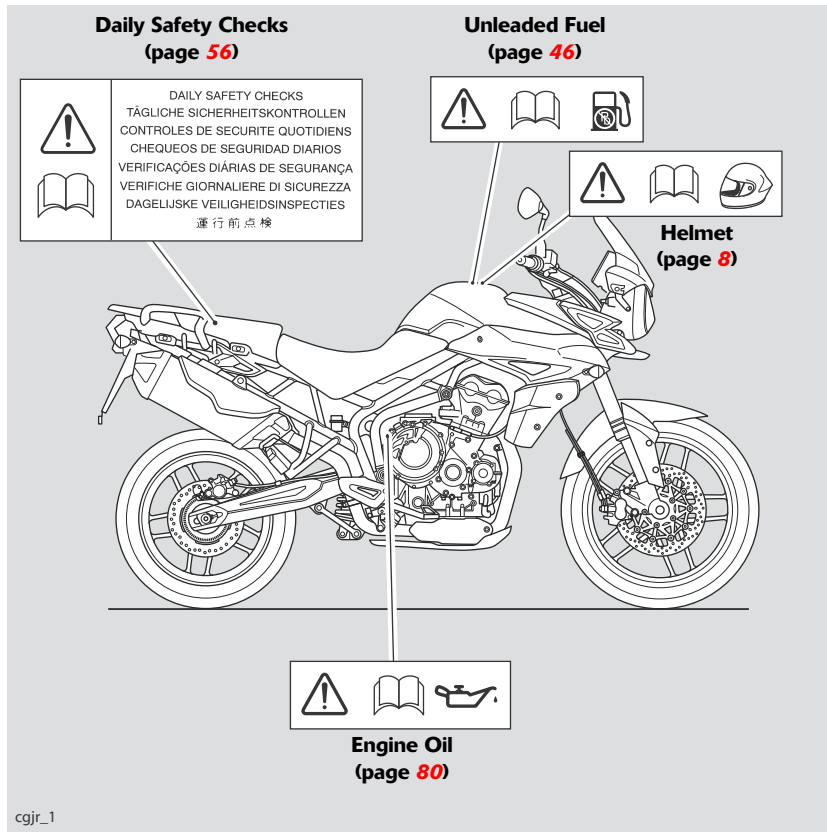


## Warning Labels

### Warning Label Locations - Tiger 800 and Tiger 800XC (continued)

#### **Caution**

All warning labels and decals, with the exception of the Running-in label, are fitted to the motorcycle using a strong adhesive. In some cases, labels are installed prior to an application of paint lacquer. Therefore, any attempt to remove the warning labels will cause damage to the paintwork or bodywork.

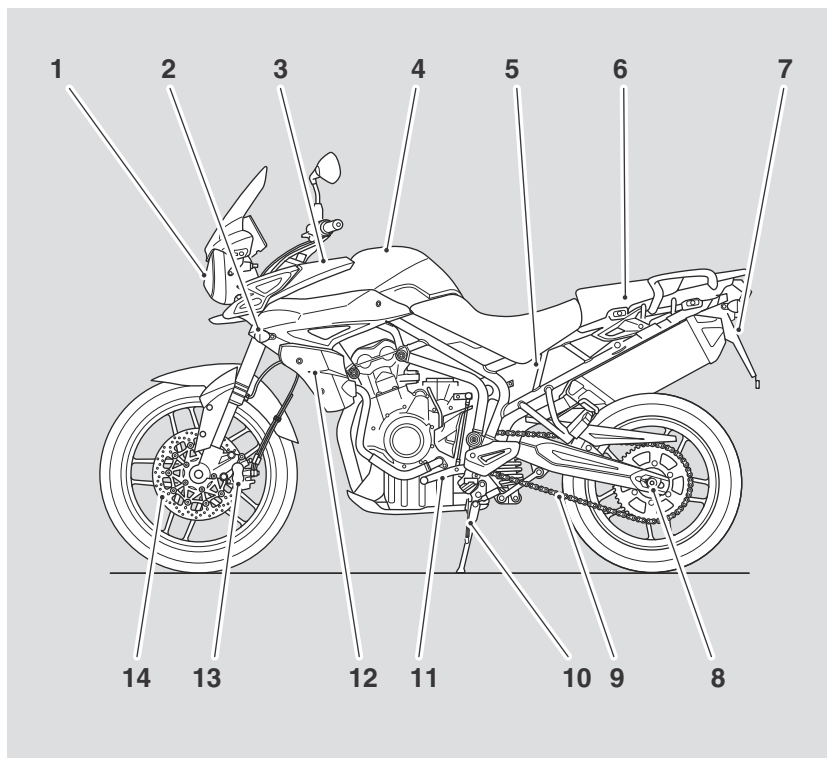


## Parts Identification

---

### PARTS IDENTIFICATION

#### Tiger 800



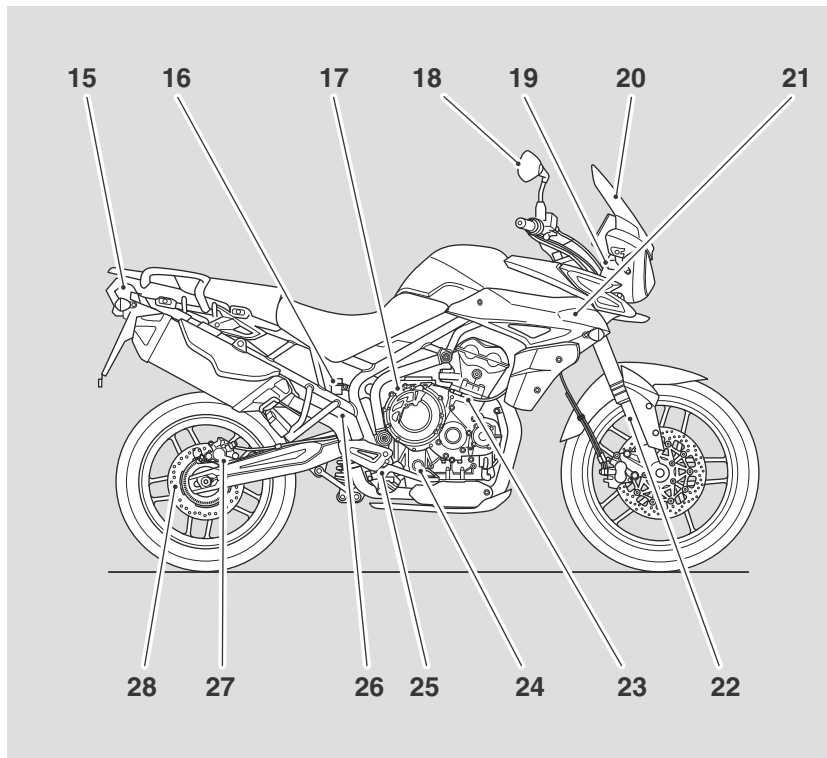
- |   |                                   |
|---|-----------------------------------|
| 1. Headlight                                  | 8. Rear wheel adjuster            |
| 2. Front turn signal                          | 9. Drive chain                    |
| 3. Electrical accessory socket                | 10. Side stand                    |
| 4. Fuel tank and fuel filler cap              | 11. Gear-shift pedal              |
| 5. Battery and fuse boxes                     | 12. Radiator/Coolant pressure cap |
| 6. Tool kit/Accessory U-lock storage location | 13. Front brake caliper           |
| 7. Seat lock                                  | 14. Front brake disc              |



## Parts Identification

---

### Tiger 800 (continued)



15.Brake/tail light

16.Rear brake fluid reservoir

17. Oil filler cap

18.Mirror

19.Headlight adjuster

20.Screen

21. Coolant expansion tank

22.Front fork

23.Clutch cable

24.Engine oil level sight glass

25.Rear brake pedal

26.Rear suspension spring pre-load  
adjuster

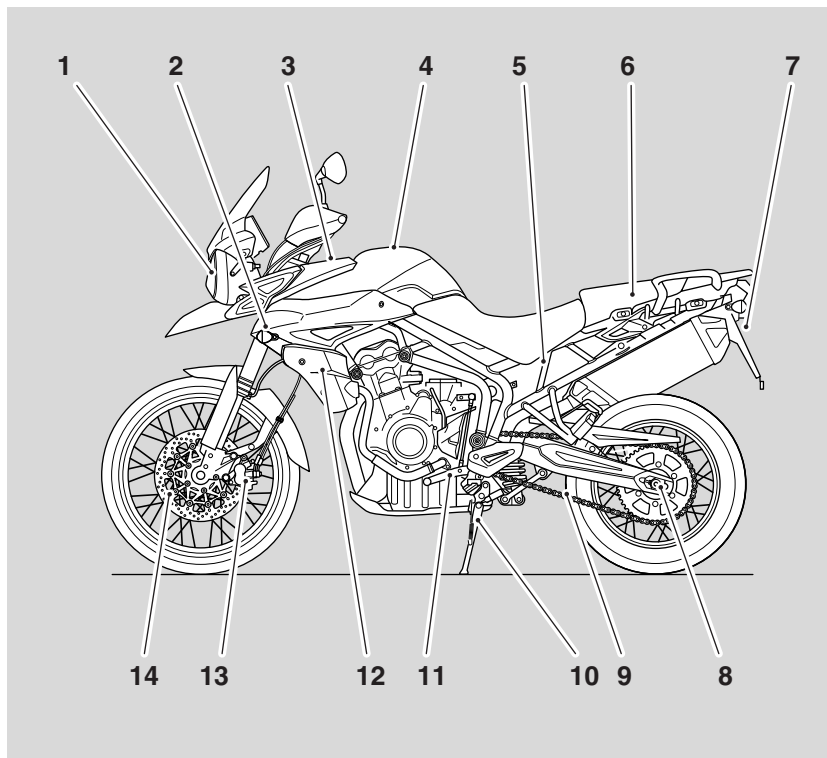
27.Rear brake caliper

28.Rear brake disc

## Parts Identification

---

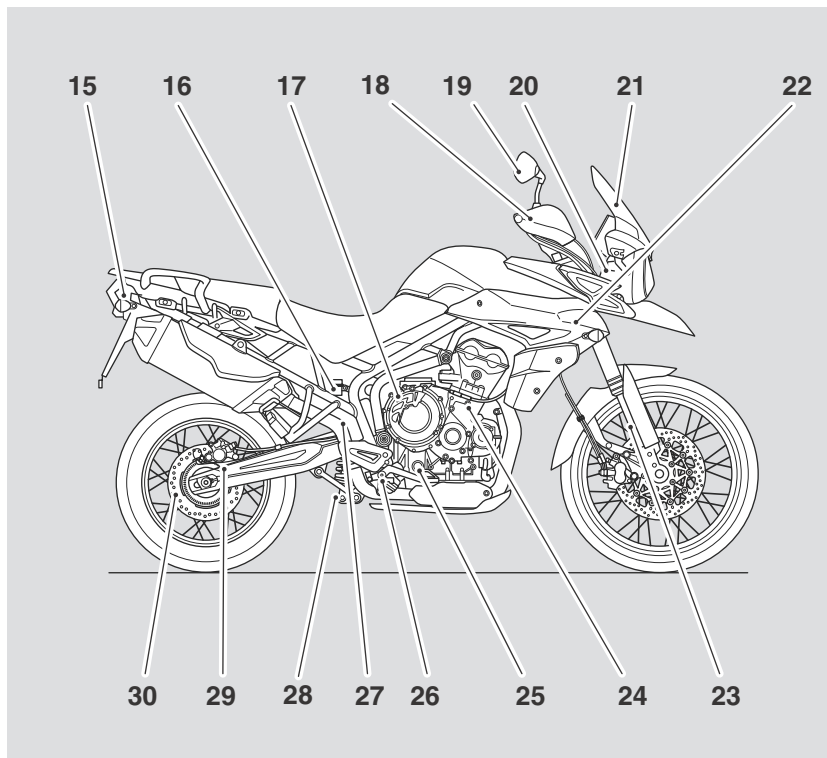
### Tiger 800XC



- |   |                                   |
|---|-----------------------------------|
| 1. Headlight                                  | 8. Rear wheel adjuster            |
| 2. Front turn signal                          | 9. Drive chain                    |
| 3. Electrical accessory socket                | 10. Side stand                    |
| 4. Fuel tank and fuel filler cap              | 11. Gear-shift pedal              |
| 5. Battery and fuse boxes                     | 12. Radiator/Coolant pressure cap |
| 6. Tool kit/Accessory U-lock storage location | 13. Front brake caliper           |
| 7. Seat lock                                  | 14. Front brake disc              |

## Parts Identification

### Tiger 800XC (continued)



15.Brake/tail light

16.Rear brake fluid reservoir

17. Oil filler cap

18.Handguards

19.Mirror

20.Headlight adjuster

21. Screen

22.Coolant expansion tank

23.Front fork

24.Clutch cable

25.Engine oil level sight glass

26.Rear brake pedal

27.Rear suspension pre-load adjuster

28.Rear suspension rebound damping adjuster

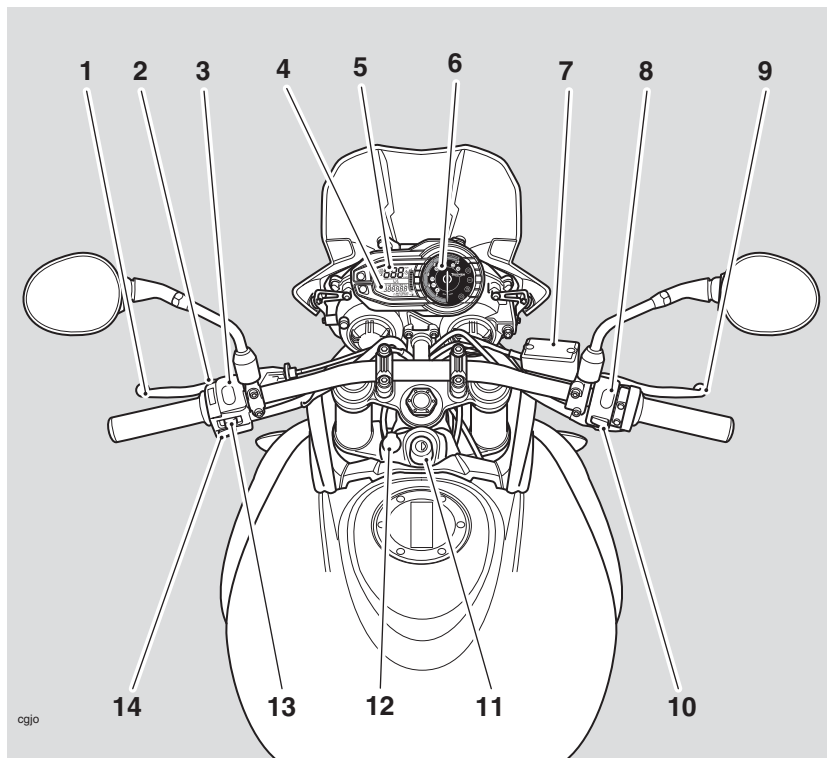
29.Rear brake caliper

30.Rear brake disc

## Parts Identification

---

### All Models (Tiger 800 shown)

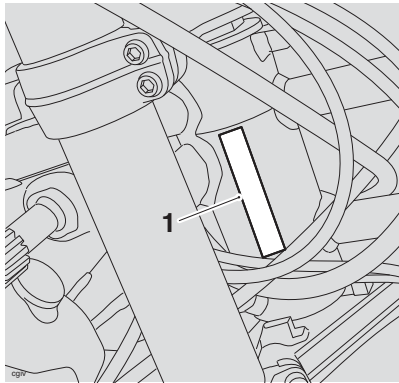


- |                                |                                 |
|--------------------------------|---------------------------------|
| 1. Clutch lever                | 8. Engine stop switch           |
| 2. Passing button              | 9. Front brake lever            |
| 3. Headlight dimmer switch     | 10. Starter button              |
| 4. Trip computer display       | 11. Ignition switch             |
| 5. Speedometer                 | 12. Electrical accessory socket |
| 6. Tachometer                  | 13. Turn signal switch          |
| 7. Front brake fluid reservoir | 14. Horn button                 |

---

## SERIAL NUMBERS

### Vehicle Identification Number (VIN)

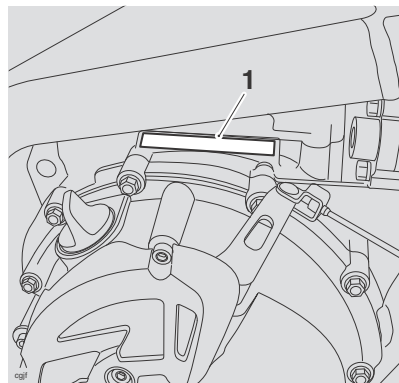


**1. VIN number (Tiger 800 shown)**

The Vehicle Identification Number (VIN) is stamped into the steering head area of the frame. In addition, it is displayed on a label which is also adjacent to the steering head.

Record the vehicle identification number in the space provided below.

### Engine Serial Number



**1. Engine serial number (Tiger 800 shown)**

The engine serial number is stamped on the engine crankcase, immediately above the clutch cover.

Record the engine serial number in the space provided below.

## Serial Numbers

---

This page intentionally left blank

### GENERAL INFORMATION

#### Table of Contents

Instrument Panel Layout . . . . .	25
Speedometer and Odometer . . . . .	26
Tachometer . . . . .	26
Trip Computer . . . . .	26
Odometer/Trip Meter . . . . .	27
Trip Meter . . . . .	27
Trip Meter Reset . . . . .	28
Odometer . . . . .	28
Clock Adjustment . . . . .	28
Changing Units (Imperial, US or Metric) . . . . .	29
ABS Disable (models with ABS only) . . . . .	31
Service Interval Indicator . . . . .	31
Fuel Gauge . . . . .	32
Tire Pressure Monitoring System (TPMS) . . . . .	32
Function . . . . .	32
Tire Pressure Sensor Serial Number . . . . .	33
System Display . . . . .	33
Sensor Batteries . . . . .	34
Tire Pressures . . . . .	34
Replacement Tires . . . . .	35
Warning Lights . . . . .	35
Turn Signals . . . . .	35
High Beam . . . . .	35
Low Fuel . . . . .	35
Neutral . . . . .	35
Low Oil Pressure Warning Light . . . . .	35
High Coolant Temperature Warning Light . . . . .	36
Engine Management System Malfunction Indicator Light . . . . .	36
Alarm/Immobiliser Indicator Light . . . . .	37
Tire Pressure Warning Light . . . . .	38

## General Information

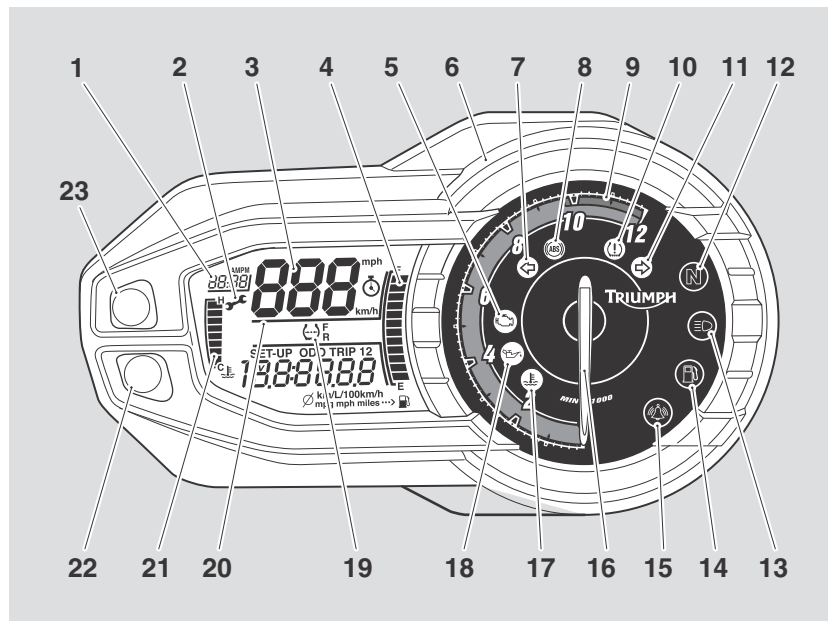
---

Ignition Key . . . . .	39
Ignition Switch/Steering Lock . . . . .	40
Ignition Switch Positions . . . . .	40
Brake Lever Adjuster . . . . .	41
Right Handlebar Switches . . . . .	42
Engine Stop Switch . . . . .	42
Starter Button . . . . .	43
Left Handlebar Switches . . . . .	43
Headlight Dimmer Switch . . . . .	43
Turn Signal Switch . . . . .	44
Horn Button . . . . .	44
Pass Button . . . . .	44
Handlebar Adjustment . . . . .	44
Fuel Requirement/Refuelling . . . . .	46
Fuel Grade . . . . .	46
Fuel Tank Cap . . . . .	47
Filling the Fuel Tank . . . . .	48
Tool Kit and Handbook . . . . .	48
Stand . . . . .	49
Side Stand . . . . .	49
Seats . . . . .	50
Seat Care . . . . .	50
Rear Seat . . . . .	50
Rider's Seat . . . . .	51
Rider's Seat Height Adjustment . . . . .	52
Helmet Hook . . . . .	53
Triumph Accessory D-lock Storage . . . . .	54
Electrical Accessory Socket . . . . .	54
Breaking-In . . . . .	55
Safe Operation . . . . .	56
Daily Safety Checks . . . . .	56



## General Information

### Instrument Panel Layout



1. Clock
2. Service interval indicator
3. Speedometer
4. Fuel gauge
5. Engine management malfunction indicator light
6. Instrument casing
7. Left hand turn signal light
8. ABS warning light (ABS models only)
9. Tachometer 'red zone'
10. Tire pressure warning light (if Tire Pressure Monitoring System (TPMS) is fitted) (TPMS is not available on Tiger 800XC models)
11. Right hand turn signal light
12. Neutral indicator light
13. High beam indicator light
14. Low fuel level indicator light
15. Alarm/immobiliser status indicator light (alarm is an accessory fit)
16. Tachometer
17. High coolant temperature warning light
18. Low oil pressure warning light
19. Tire pressure display (if Tire Pressure Monitoring System (TPMS) is fitted) (TPMS is not available on Tiger 800XC models)
20. Display screen
21. Coolant temperature display
22. Button B
23. Button A

## General Information

### Speedometer and Odometer

The digital speedometer indicates the road speed of the motorcycle. The read-out displays the motorcycle road speed in increments of one mile (or kilometer) per hour.

The electronic odometer and two trip meters are in the display screen. For details of the operation of the odometer and trip meters, please refer to the following pages.

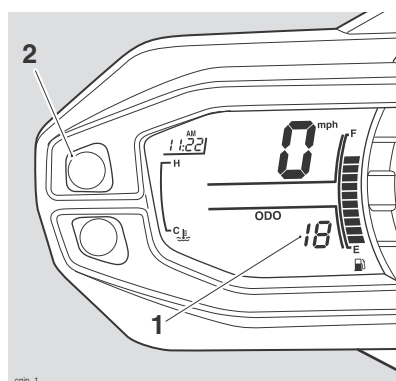
### Tachometer

The tachometer shows the engine speed in revolutions per minute - rpm (r/min). At the end of the tachometer range there is the 'red zone'. Engine rpm (r/min) in the red zone is above maximum recommended engine speed and is also above the range for best performance.

#### Caution

Never allow engine rpm to enter the 'red zone' as severe engine damage may result.

### Trip Computer



1. Display screen

2. Button A

To access the trip computer information press and release button 'A' until the desired display is visible. The display will scroll through in the following order:

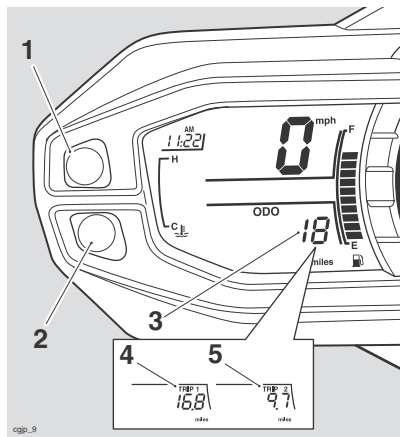
- Trip Meter 1
- Trip Meter 2
- Tire Pressure Monitoring system - if fitted (available as an accessory on Tiger 800 models only)
- Set up

**Note:**

- **The tire pressure monitoring system (TPMS) is an accessory which must be fitted by your authorized Triumph dealer. The TPMS display will then be activated by your authorized Triumph dealer (TPMS is not available on Tiger 800XC models).**

## General Information

### Odometer/Trip Meter



1. Button A
2. Button B
3. Odometer/Trip meter display
4. Trip meter 1 display
5. Trip meter 2 display

#### Trip Meter

Either trip meter shows the distance that the motorcycle has travelled, trip time, average fuel consumption, instantaneous fuel consumption and average speed, all since the trip meter on display was last reset to zero.

To access the trip meter information, turn the ignition to the ON position. Press and release button 'A' until the desired trip meter is visible in the display screen.

Press and release button 'B' until the desired display is visible. The display will scroll through in the following order:

- Trip distance
- Range to empty
- Trip time
- Average fuel consumption
- Instantaneous fuel consumption
- Average speed

Each display provides the following information all calculated since the trip meter was last reset to zero:

#### Trip Distance

The total trip distance travelled.

#### Range to Empty

This is an indication of the probable distance that can be travelled on the remaining fuel in the tank.

#### Trip Time

The total time elapsed.

#### Average Fuel Consumption

An indication of the average fuel consumption. After being reset the display will show dashes until 0.1 miles/km has been covered.

#### Instantaneous Fuel Consumption

An indication of the fuel consumption at an instant in time.

#### Average Speed

The average speed is calculated from when the trip computer was last reset. After being reset the display will show dashes until 1 mile/km has been covered.

## General Information

---

### Warning

Do not attempt to switch between odometer and trip meter display modes or reset the trip meter with the motorcycle in motion as this may lead to loss of motorcycle control and an accident.

### Trip Meter Reset

To reset either of the trip meters, select and display the trip meter to be zeroed then press button 'B' for 2 seconds. After 2 seconds, the trip meter on display will reset to zero.

#### Note:

- **When a trip meter is reset to zero, the trip time, average fuel consumption and average speed will also be set to zero for that trip meter.**

To exit the trip meter, press and release button 'A' until the desired display is visible.

### Odometer

When the ignition is switched on, the odometer will be displayed for 3 seconds then the last selected trip meter will be shown.

The odometer shows the total distance that the motorcycle has travelled.

To access the odometer, with the motorcycle stationary and in neutral press and release button 'A' until set up is visible in the display screen then press button 'B'. Press and release button 'A' until odometer is visible.

To exit odometer, press and release button 'A' until rEturN is visible then press button 'B'. Trip 1 will be visible in the display screen.

## Clock Adjustment

### Warning

Do not attempt to adjust the clock with the motorcycle in motion as this may lead to loss of motorcycle control and an accident.

To reset the clock; with the motorcycle stationary and in neutral turn the ignition to the ON position. Press and release button 'A' until set up is visible in the display screen. Press button 'B' and t-SEt will be visible.

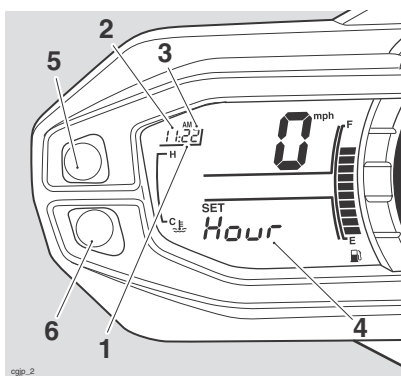
Press button 'B' again and either 24 Hr or 12 Hr clock will be shown. Press button 'A' to select the desired clock display and then press button 'B'. The hour display will start to flash and the word Hour is visible in the display screen.

To reset the hour display, ensure that the hour display is still flashing and the word Hour is visible. Press button 'A' to change the setting. Each individual button press will change the setting by one digit. If the button is held, the display will continuously scroll through in single digit increments.

When the correct hour display is shown, press button 'B'. The minutes display will begin to flash and the word Min is visible in the display screen. The minutes display is adjusted in the same way as for the hours.

## General Information

Once both hours and minutes are correctly set, press button 'B' to confirm and t-SEt will be visible in the display screen. Press and release button 'A' until rEturn is visible then press button 'B'. Trip 1 will be visible in the display screen.



1. Clock display
2. Hours read-out
3. Minutes read-out
4. Display screen (Hour selected for adjustment)
5. Button A
6. Button B

### Changing Units (Imperial, US or Metric)

Units has four selectable display modes as described below:

- mpg - Imperial gallons;
- mpg US - US gallons;
- L/100 km - Metric;
- km/L - Metric.

Each display provides the following information:

#### mpg (Imperial gallons)

The speedometer and odometer will read in miles. The fuel consumption will be measured in imperial gallons.

#### mpg US (US gallons)

The speedometer and odometer will read in miles. The fuel consumption will be measured in US gallons.

#### L/100 km (Metric)

The speedometer and odometer will read in kilometers. The fuel consumption will be measured in liters of fuel per 100 km.

#### km/L (Metric)

The speedometer and odometer will read in kilometers. The fuel consumption will be measured in kilometers per liter of fuel.

### Warning

Do not attempt to change the units display with the motorcycle in motion as this may lead to loss of motorcycle control and an accident.

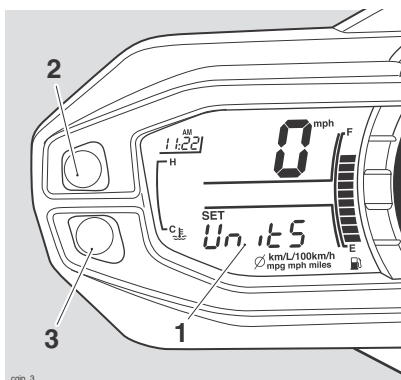
## General Information

---

To access the units display; with the motorcycle stationary and in neutral turn the ignition to the ON position.

Press and release button 'A' until set up is visible in the display screen then press button 'B'.

Press and release button 'A' until UnitS is visible then press button 'B'.



1. Display screen
2. Button A
3. Button B

Press and release button 'A' until the desired display is visible. The display will scroll through in the following order:

- mpg - Imperial gallons;
- mpg US - US gallons;
- L/100 km - Metric;
- km/L - Metric.

**Models without TPMS:** Press button 'B' and do not touch buttons 'A' or 'B' again until UnitS is visible in the display screen. When UnitS is visible in the display screen, press and release button 'A' until rEturN is visible then press button 'B'. Trip 1 will be visible in the display screen.

**Models with TPMS:** Press button 'B' and do not touch buttons 'A' or 'B' again until PSI or bAr is displayed. Press and release button 'A' until the desired tire pressure units are visible. Press button 'B' and wait until UnitS is displayed, then press button 'A' and when rEturN is displayed press button B. Trip 1 will be visible in the display screen.

## General Information

### ABS Disable (models with ABS only)

It is possible to temporarily disable the ABS system. The ABS system cannot be permanently disabled, it will be enabled when the ignition is turned off and then on again.

#### Warning

If the ABS is disabled, the brake system will function as a non-ABS braking system. In this situation braking too hard will cause the wheels to lock, and may result in loss of control and an accident.

#### To Disable the ABS

To access the ABS Disable function, turn the ignition to the ON position.

Press and release button 'A' until set up is visible in the display screen then press button 'B'.

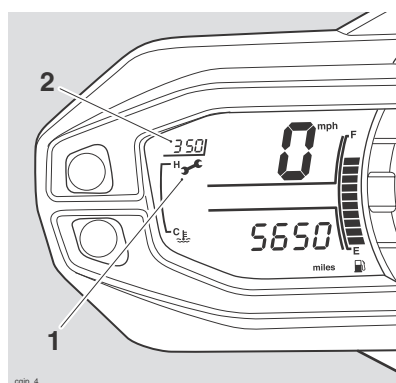
Press and release button 'A' until ABS is visible.

Pressing button 'B' will disable the ABS system; the message ABS OFF will be displayed for 2 seconds, and the ABS warning light will be illuminated.

#### To Enable the ABS

To enable the ABS system again, turn the ignition off and on.

### Service Interval Indicator



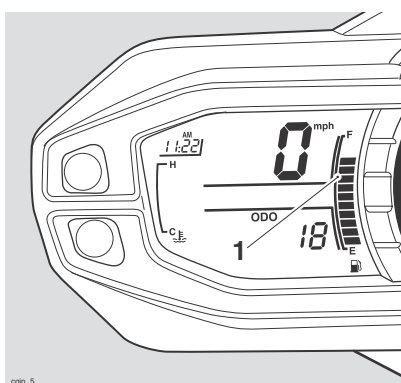
1. Service indicator
2. Remaining distance

When the ignition is switched on and the distance to the next service is 500 miles (800 km) or less, the service symbol will be displayed for 3 seconds and the clock will show the distance remaining before the next service.

When the remaining distance is 0 miles (0 km) the service symbol will remain on until the service has been carried out and the system has been reset by your authorized Triumph dealer. If the service is overdue, the distance will be displayed as a negative number.

## General Information

### Fuel Gauge



#### 1. Fuel gauge

The fuel gauge indicates the amount of fuel in the tank.

With the ignition switched on, the number of bars shown in the display indicates the level of fuel.

When the fuel tank is full all 12 bars are displayed and when empty, no bars are displayed. Other gauge markings indicate intermediate fuel levels between full and empty.

When 2 bars are displayed the low fuel warning light will illuminate. This indicates there are approximately 1.19 US gallons (4.5 liters) of fuel remaining in the tank and you should refuel at the earliest opportunity. If a trip meter display is visible, the range to empty display can be selected by pressing and releasing button 'B' until it is visible.

After refuelling, the fuel gauge and range to empty information will be updated only while riding the motorcycle. Depending on the riding style, updating could take up to five minutes.

### Tire Pressure Monitoring System (TPMS)

#### Note:

- **TPMS is an accessory option on Tiger 800 models only. It is not available on Tiger 800XC models.**



#### **Warning**

The daily check of tyre pressures must not be excluded because of the fitment of the TPMS. Check the tyre pressure when the tyres are cold and using an accurate tyre pressure gauge (see page 101).

Use of the TPMS system to set inflation pressures may lead to incorrect tire pressures leading to loss of motorcycle control and an accident.

#### Function

Tire pressure sensors are fitted to the front and rear wheels. These sensors measure the air pressure inside the tire and transmit pressure data to the instruments. These sensors will not transmit the data until the motorcycle is travelling at a speed greater than 12 mph (20 km). Two dashes will be visible in the display area until the tire pressure signal is received.

The tire pressure monitoring system (TPMS) is an accessory fitted item and must be fitted by your authorized Triumph dealer. The TPMS display on the instruments will only be activated when the system has been fitted.



## General Information

An adhesive label will be fitted to the wheel rim to indicate the position of the tire pressure sensor which is near the valve.

### Tire Pressure Sensor Serial Number

The serial number for the tire pressure sensor is printed on a label attached to the sensor. This number may be required by the dealer for service or diagnostics.

When the tire pressure monitoring system is being fitted to the motorcycle, ensure that the dealer records the serial numbers of the front and rear tire pressure sensors in the spaces provided below.

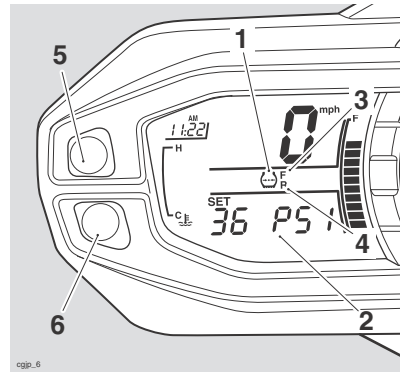
#### Front Tire Pressure Sensor

#### Rear Tire Pressure Sensor

### System Display

#### Warning

Do not attempt to switch between front and rear tire display modes with the motorcycle in motion as this may lead to loss of motorcycle control and an accident



1. TPMS symbol
2. Tire pressure display
3. Front tire, identified
4. Rear tire, identified
5. Button A
6. Button B

To access the tire pressure display, turn the ignition to the ON position.

Press and release button 'A' until psi or bAr is visible in the display screen.

Press and release button 'B' to select the front or rear tire pressure.

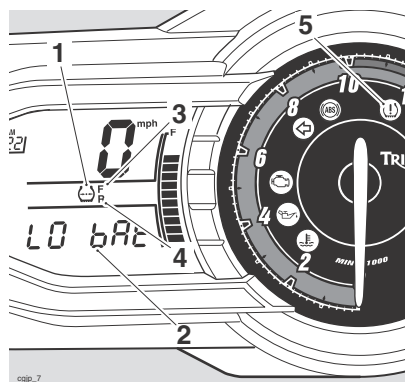
## General Information

When the tire pressure monitoring system has been selected, — psi or bAr will be visible in the display screen until the motorcycle is travelling at a speed greater than 12 mph (20 km) and the tire pressure signal is received.

To exit the tire pressure display, press and release button 'A' to the desired display.

### Sensor Batteries

When the battery voltage in a pressure sensor is low, LO bAt will be displayed and the TPMS symbol will indicate which wheel sensor has the low battery voltage. If the batteries are completely flat, only dashes will be visible in the display screen, the red TPMS warning light will be on and the TPMS symbol will flash continuously. Contact your authorized Triumph dealer to have the sensor replaced and the new serial number recorded in the spaces provided on page 33.



1. TPMS symbol
2. Display screen
3. Front tire, identified
4. Rear tire, identified
5. TPMS warning light

With the ignition switch turned to the ON position, if the TPMS symbol flashes for 10 seconds and then remains on there is a fault with the TPMS system. Contact your authorized Triumph dealer to have the fault rectified.

### Tire Pressures

The tire pressures shown on your instrument panel indicate the actual tire pressure at the time of selecting the display. This may differ from the inflation pressure set when the tires are cold because tires become warmer during riding, causing the air in the tire to expand and the inflation pressure to increase. The cold inflation pressures specified by Triumph take account of this.

Owners must only adjust tire pressures when the tires are cold using an accurate tire pressure gauge (see page 102), and must not use the tire pressure display on the instruments.

### Warning

The tire pressure monitoring system is not to be used as a tire pressure gauge when adjusting the tire pressures. For correct tire pressures, always check the tire pressures when the tires are cold and using an accurate tire pressure gauge (see page 102).

Use of the TPMS system to set inflation pressures may lead to incorrect tire pressures leading to loss of motorcycle control and an accident.

## General Information

---

### Replacement Tires

When replacing tires, always have an authorized Triumph dealer fit your tires and ensure they are aware that tire pressure sensors are fitted to the wheels (see page 104).

### Warning Lights

#### Turn Signals



When the turn signal switch is pushed to the left or right, the turn signal light will flash on and off at the same speed as the turn signals.

#### High Beam



When the ignition is switched on and the headlight dimmer switch is set to 'high beam', the high beam warning light will illuminate.

#### Low Fuel



The low fuel indicator will illuminate when there are approximately 1.19 US gallons (4.5 liters) of fuel remaining in the tank.

#### Neutral



The neutral warning light indicates when the transmission is in neutral (no gear selected). The warning light will illuminate when the transmission is in neutral with the ignition switch in the ON position.

#### Low Oil Pressure Warning Light



With the engine running, if the engine oil pressure becomes dangerously low, the low oil pressure warning light in the tachometer will illuminate.

## General Information

---

### **Caution**

Stop the engine immediately if the low oil pressure warning light illuminates. Do not restart the engine until the fault has been rectified.

Severe engine damage will result from running the engine when the low oil pressure warning light is illuminated.

The low oil pressure warning light in the tachometer will illuminate if the ignition is switched on without running the engine.

### **High Coolant Temperature Warning Light**



With the engine running, if the engine coolant temperature becomes dangerously high, the high coolant temperature warning light in the tachometer will illuminate.

### **Caution**

Stop the engine immediately if the high coolant temperature warning light illuminates. Do not restart the engine until the fault has been rectified.

Severe engine damage will result from running the engine when the high coolant temperature warning light is illuminated.

The high coolant temperature warning light in the tachometer will illuminate if the ignition is switched on without running the engine.

### **Engine Management System Malfunction Indicator Light**



The malfunction indicator light for the engine management system illuminates briefly when the ignition is switched on (to indicate that it is working), but should not become illuminated when the engine is running.

If the malfunction indicator light becomes illuminated when the engine is running, this indicates that a fault has occurred in one or more of the systems controlled by the engine management system. In such circumstances, the engine management system will switch to 'limp-home' mode so that the journey may be completed, if the fault is not so severe that the engine will not run.

### **Warning**

Reduce speed and do not continue to ride for longer than is necessary with the malfunction indicator light illuminated. The fault may adversely affect engine performance, exhaust emissions and fuel consumption. Reduced engine performance could cause a dangerous riding condition, leading to loss of control and an accident. Contact an authorized Triumph dealer as soon as possible to have the fault checked and rectified.

## General Information

### Note:

- **If the malfunction indicator light flashes when the ignition is switched on, contact an authorized Triumph dealer as soon as possible to have the situation rectified. In these circumstances the engine will not start.**

### Alarm/Immobiliser Indicator Light



This Triumph model is fitted with an engine immobiliser which is activated when the ignition switch is turned to the OFF position. If the motorcycle is fitted with a genuine Triumph accessory alarm, the immobiliser will operate as normal but the alarm/immobiliser light will operate as described below.

#### With Alarm Fitted

The alarm/immobiliser light will only illuminate when the conditions described in the genuine triumph accessory alarm instructions are met.

#### Without Alarm Fitted

When the ignition switch turned to the OFF position, the alarm/immobiliser light will flash on and off for 24 hours to show that the engine immobiliser is on. When the ignition switch is turned to the ON position the immobiliser and the indicator light will be off.

If the indicator light remains on it indicates that the immobiliser has a malfunction that requires investigation. Contact an authorized Triumph dealer as soon as possible to have the fault checked and rectified.

### ABS (Anti-Lock Brake System) Indicator light

#### (Only on models equipped with ABS)



When the ignition switch is turned to the ON position, it is normal that the ABS warning light will flash on and off. The light will continue to flash after engine start-up until the motorcycle first reaches a speed exceeding 6 mph (10 km/h) when it will go off.

Unless the ABS system is disabled (see page 37), or there is a fault, it should not illuminate again until the engine is restarted.

If the indicator light becomes illuminated at any other time while riding it indicates that the ABS has a malfunction that requires investigation.

### Warning

If the ABS is not functioning, the brake system will continue to function as a non ABS braking system. Do not continue to ride for longer than is necessary with the indicator light illuminated. Contact an authorized Triumph dealer as soon as possible to have the fault checked and rectified. In this situation braking too hard will cause the wheels to lock resulting in loss of control and an accident.

See also Braking on page 61.

## General Information

### Tire Pressure Warning Light

#### Note:

- **TPMS is an accessory option on Tiger 800 models only. It is not available on Tiger 800XC models.**



The tire pressure warning light works in conjunction with the tire pressure monitoring system (see page 35).

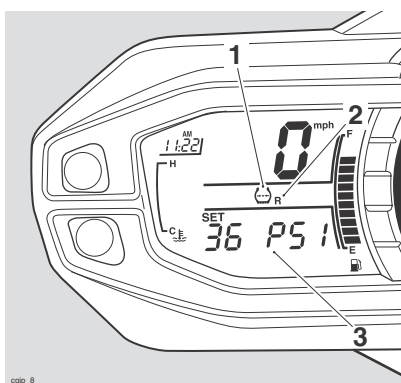
The warning light will only illuminate when the front or rear tire pressure is below the recommended pressure. It will not illuminate if the tire is over inflated.

When the warning light is illuminated, the TPMS symbol indicating which is the deflated tire and its pressure will automatically be visible in the display area.

The tire pressure at which the warning light illuminates is temperature compensated to 68°F (20°C) but the numeric pressure display associated with it is not (see page 103). Even if the numeric display seems at or close to the standard tire pressure when the warning light is on, a low tire pressure is indicated and a puncture is the most likely cause.

#### Warning

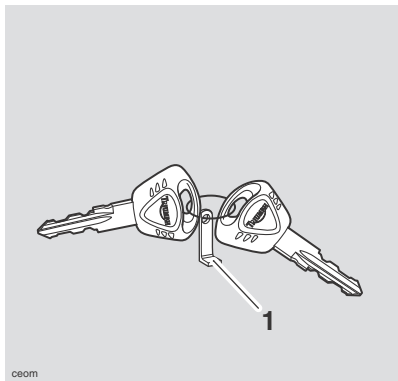
Stop the motorcycle if the tire pressure warning light illuminates. Do not ride the motorcycle until the tires have been checked and the tire pressures are at their recommended pressure when cold.



1. TPMS symbol
2. Rear tire, identified
3. Tire pressure

## General Information

### Ignition Key



#### 1. Key number tag

In addition to operating the steering lock/ignition switch, the ignition key is required to operate the seat lock and fuel tank cap.

When the motorcycle is delivered from the factory, two keys are supplied together with a small tag bearing the key number. Make a note of the key number and store the spare key and key number tag in a safe place away from the motorcycle.

A transponder is fitted within the key to turn off the engine immobiliser. To ensure the immobiliser functions correctly, always have only one of the ignition keys near the ignition switch. Having two ignition keys near the switch may interrupt the signal between the transponder and the engine immobiliser. In this situation the engine immobiliser will remain active until one of the ignition keys is removed.

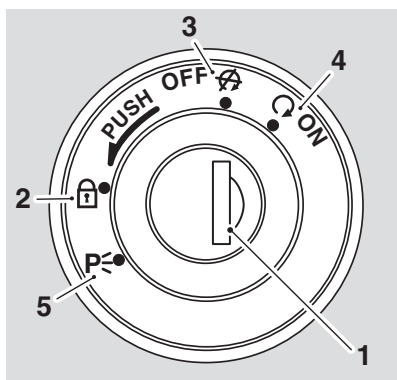
Always get replacement keys from your authorized Triumph dealer. Replacement keys must be 'paired' with the motorcycle's immobiliser by your authorized Triumph dealer.

#### **Caution**

Do not store the spare key with the motorcycle as this will reduce all aspects of security.

## General Information

### Ignition Switch/Steering Lock

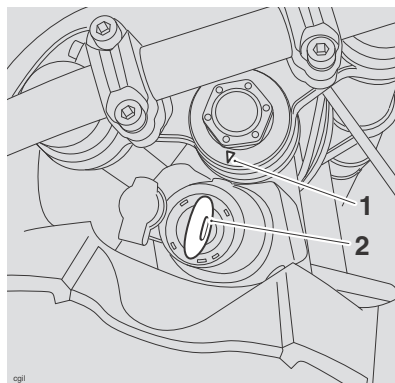


1. Ignition switch/steering lock
2. LOCK position
3. OFF position
4. ON position
5. PARK position

#### Ignition Switch Positions

This is a four position, key operated switch. The key can be removed from the switch only when it is in the OFF, LOCK or P (PARK) position.

**TO LOCK:** Turn the handlebar to the left until the arrow on the upper yoke aligns with the ignition key.



1. Arrow on upper yoke
2. Ignition key

Turn the key to the OFF position, push and fully release the key, then rotate it to the LOCK position.

**PARKING:** Turn the key from the LOCK position to the P position. The steering will remain locked, and the position lights will be switched on.

#### Note:

- **Do not leave the steering lock in the P position for long periods of time as this will cause the battery to discharge.**



## General Information

### Warning

For reasons of security and safety, always move the ignition switch to the OFF position and remove the key when leaving the motorcycle unattended.

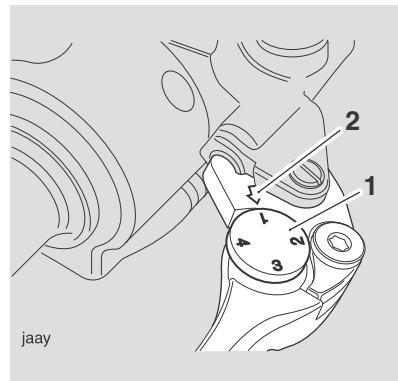
Any unauthorized use of the motorcycle may cause injury to the rider, other road users and pedestrians and may also cause damage to the motorcycle.

### Warning

With the key in the LOCK or P position the steering will become locked.

Never turn the key to the LOCK or P positions while the motorcycle is moving as this will cause the steering to lock. Locked steering will cause loss of motorcycle control and an accident.

### Brake Lever Adjuster



**1. Adjuster wheel**

**2. Triangular mark**

An adjuster is fitted to the front brake lever. The adjuster allows the distance from the handlebar to the lever to be changed to one of four positions, to suit the span of the operator's hands.

To adjust the lever, push the lever forward and turn the adjuster wheel to align one of the numbered positions with the triangular mark on the lever holder.

The distance from the handlebar grip to the released lever is shortest when set to number four, and longest when set to number one.

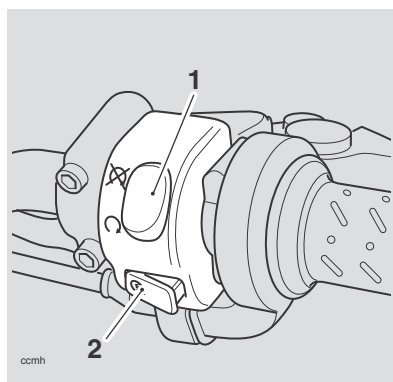
## General Information

---

### Warning

Do not attempt to adjust the lever with the motorcycle in motion as this may lead to loss of motorcycle control and an accident. After adjusting the lever, operate the motorcycle in an area free from traffic to gain familiarity with the new lever setting. Do not loan your motorcycle to anyone as they may change the lever setting from the one you are familiar with causing loss of control or an accident.

## Right Handlebar Switches



1. Engine stop switch
2. Starter button

### Engine Stop Switch

In addition to the ignition switch being turned to the ON position, the engine stop switch must be in the RUN position for the motorcycle to operate.

The engine stop switch is for emergency use. If an emergency arises which requires the engine to be stopped, move the engine stop switch to the STOP position.

#### Note:

- **Although the engine stop switch stops the engine, it does not turn off all the electrical circuits and may cause difficulty in restarting the engine due to a discharged battery. Ordinarily, only the ignition switch should be used to stop the engine.**

## General Information

### Caution

Do not leave the ignition switch in the ON position unless the engine is running as this may cause damage to electrical components and will discharge the battery.

#### Starter Button

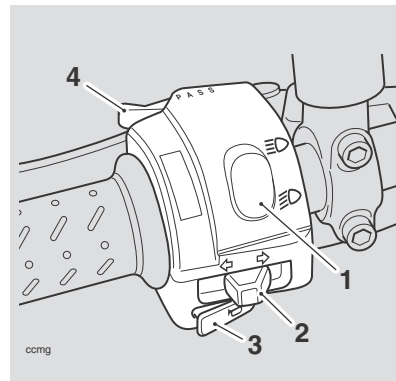
The starter button operates the electric starter. For the starter to operate, the clutch lever must be pulled to the handlebar.

#### Note:

- **Even if the clutch lever is pulled to the handlebar, the starter will not operate if the side stand is down and a gear is engaged.**

With the engine running, the starter button functions as the lap timer 'trigger' button. Momentarily pressing the starter button will start the lap timer recording the next lap.

#### Left Handlebar Switches



1. Headlight dimmer switch
2. Turn signal switch
3. Horn button
4. Pass button

#### Headlight Dimmer Switch

High or low beam can be selected with the headlight dimmer Switch. To select high beam, push the switch forward. To select low beam, push the switch rearwards. When the high beam is turned on, the high beam indicator light will illuminate.

#### Note:

- **A lighting on/off switch is not fitted to this model. The headlight, brake/tail light and license plate light all function automatically when the ignition is turned to the ON position.**

## General Information

---

### Turn Signal Switch

When the turn signal switch is pushed to the left or right and released, the corresponding turn signals will flash on and off. To turn off the turn signals, push and release the switch.

### Horn Button

When the horn button is pushed, with the ignition switch turned to the ON position, the horn will sound.

### Pass Button

When the pass button is pressed, the headlight main beam will be switched on. It will remain on as long as the button is held in and will turn off as soon as the button is released.

### Handlebar Adjustment

The handlebars are adjustable for reach by approximately 0.8 in (20 mm).

#### **Warning**

It is recommended to have handlebar adjustments carried out by a trained technician of an authorized Triumph dealer. Handlebar adjustments carried out by a technician who is not of an authorized Triumph dealer may affect the handling, stability or other aspects of the motorcycle's operation which may result in loss of motorcycle control and an accident.

#### **Warning**

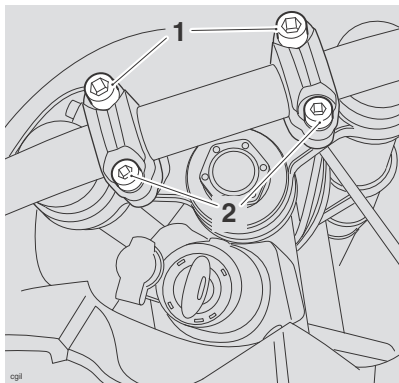
Before starting work, ensure the motorcycle is stabilized and adequately supported. This will help prevent injury to the operator or damage to the motorcycle.

#### **Note:**

- **This procedure assumes the handlebars are in the standard position, as delivered from the factory. If the handlebars have already been adjusted as described below, the bolt positions will be reversed.**

## General Information

To adjust the handlebars, loosen and remove the handlebar rear (8 mm threaded) clamp bolts, and then the front (10 mm threaded) clamp and riser bolts.



- 1. 10 mm fasteners**
- 2. 8 mm fasteners**

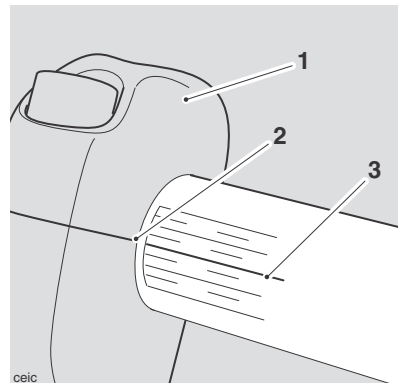
Lift the handlebars out of the handlebar risers and support with the aid of an assistant.

Rotate both risers through 180° and align the bolt holes.

Reposition the handlebars to the risers.

Refit the upper clamps, and secure with the two 10 mm threaded bolts in the rear bolt positions. Do not fully tighten the bolts at this stage.

Rotate the handlebar so that the etched center (longer) marking on the handlebar aligns with the split line on the upper clamps/risers.



- 1. Upper clamp**
- 2. Clamp split line**
- 3. Center marking**

Tighten the 10 mm bolts to **26 lb ft (35 Nm)**.

Refit the 8 mm bolts to the front positions and tighten to **19 lb ft (26 Nm)**.

## General Information

---

### Fuel Requirement/Refuelling

#### Fuel Grade



This Triumph motorcycle is designed to run on unleaded gasoline with a CLC or AKI octane rating (R+M)/2 of 87 or higher. Federal regulations require that pumps delivering unleaded gasoline are marked 'UNLEADED' and that the Cost of Living Council (CLO) or Anti-Knock Index (AKI) octane rating is also displayed. These ratings are an average of the Research Octane Number (RON) and the Motor Octane Number (MON).

#### Caution

The exhaust system is fitted with a catalytic converter to help reduce exhaust emission levels. The catalytic converter can be permanently damaged if the motorcycle is allowed to run out of fuel or if the fuel level is allowed to get very low. Always ensure you have adequate fuel for your journey.

#### Caution

The use of leaded fuel is illegal in most countries, states or territories. Use of leaded fuel will damage the catalytic converter.

#### Note:

- If 'knocking' or 'pinging' occurs at a steady engine speed under normal load, use a different brand of gasoline or gasoline which has a higher octane rating.

#### Oxygenated Gasoline

To help in meeting clean air standards, some areas of the U.S. use oxygenated gasoline to help reduce harmful emissions. These gasolines are a blend of conventional gasoline and another compound such as alcohol. This Triumph motorcycle will give its best performance when using unleaded gasoline. However, the following should be used as a guide if you use any oxygenated fuels.

#### Ethanol

Ethanol fuel is a mixture of 10% Ethanol and 90% gasoline and is often described under the names 'gasohol', 'Ethanol enhanced', or 'contains Ethanol'. This fuel may be used in your Triumph motorcycle.

#### MTBE (Methyl Tertiary Butyl Ether)

The use of gasolines containing up to 15% MTBE (Methyl Tertiary Butyl Ether) is permitted in this Triumph motorcycle.

#### Methanol

#### Caution

Fuels containing methanol should not be used as damage to components in the fuel system can be caused by contact with methanol.

## General Information

### ⚠ Caution

Because of the generally higher volatility of oxygenated fuels, starting, engine response and fuel consumption may be adversely affected by their use. Should any of these difficulties be experienced, run the motorcycle on normal unleaded gasoline.

### ⚠ Warning

To help reduce hazards associated with refuelling, always observe the following fuel safety instructions:

Gasoline (fuel) is highly flammable and can be explosive under certain conditions. When refuelling, turn the ignition switch to the 'OFF' position.

Do not smoke.

Do not use a mobile telephone.

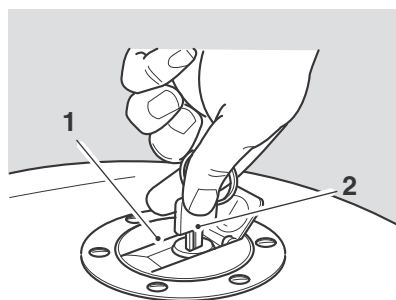
Make sure the refuelling area is well ventilated and free from any source of flame or sparks. This includes any appliance with a pilot light.

Never fill the tank until the fuel level rises into the filler neck. Heat from sunlight or other sources may cause the fuel to expand and overflow creating a fire hazard.

After refuelling always check that the fuel filler cap is correctly closed and locked.

Because gasoline (fuel) is highly flammable, any fuel leak or spillage, or any failure to observe the safety advice given above will lead to a fire hazard, which could cause damage to property, injury to persons or death.

## Fuel Tank Cap



cbmm1

1. Fuel tank cap
2. Key

To open the fuel tank cap, lift up the flap covering the lock itself. Insert the key into the lock and turn the key clockwise.

To close and lock the cap, push the cap down into place with the key inserted, until the lock 'clicks' into place. Withdraw the key and close the key cover.

### ⚠ Caution

Closing the cap without the key inserted will damage the cap, tank and lock mechanism.

## General Information

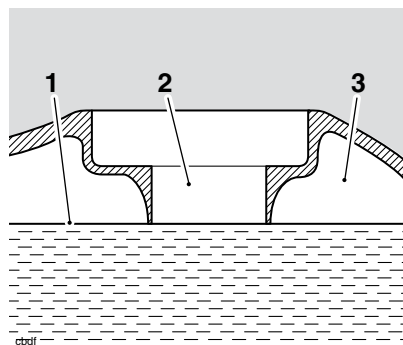
### Filling the Fuel Tank

Avoid filling the tank in rainy or dusty conditions where airborne material can contaminate the fuel.

#### **Caution**

Contaminated fuel may cause damage to fuel system components.

Fill the fuel tank slowly to help prevent spillage. Do not fill the tank to a level above the bottom of the filler neck. This will ensure there is enough air space to allow for fuel expansion if the fuel inside the tank expands through absorption of heat from the engine or from direct sunlight.



1. Maximum fuel level
2. Fuel filler neck
3. Air space

#### **Warning**

Overfilling the tank can lead to fuel spillage.

If fuel is spilled, thoroughly clean up the spillage immediately and dispose of the materials used safely.

Take care not to spill any fuel on the engine, exhaust pipes, tires or any other part of the motorcycle.

Because fuel is highly flammable, any fuel leak or spillage, or any failure to observe the safety advice given above may lead to a fire hazard, which could cause damage to property and injury or death to persons.

Fuel spilled near to, or onto the tires will reduce the tire's ability to grip the road. This will result in a dangerous riding condition potentially causing loss of motorcycle control and an accident.

After refuelling always check that the fuel filler cap is correctly closed and locked.

### Tool Kit and Handbook

The tool kit is located beneath the rear seat.

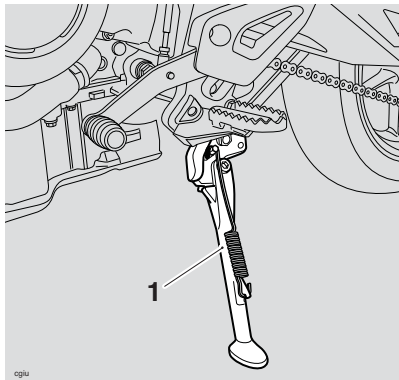
The handbook is located beneath the pillion's seat.



## General Information

### Stand

#### Side Stand



#### 1. Side stand

The motorcycle is equipped with a side stand on which the motorcycle can be parked.

#### **Warning**

The motorcycle is fitted with an interlock system to prevent it from being ridden with the side stand in the down position.

Never attempt to ride with the side stand down or interfere with the interlock mechanism as this will cause a dangerous riding condition leading to loss of motorcycle control and an accident.

#### Note:

- **When using the side stand, always turn the handlebars fully to the left and leave the motorcycle in first gear.**

Whenever the side stand is used, before riding, always ensure that the side stand is fully up after first sitting on the motorcycle.

For instructions on safe parking, refer to the 'How to Ride the Motorcycle' section.

## General Information

---

### Seats

#### Seat Care

To prevent damage to the seat or seat cover, care must be taken not to drop or lean the seat against any surface which may damage the seat or seat cover.

See page **118** for seat cleaning information.

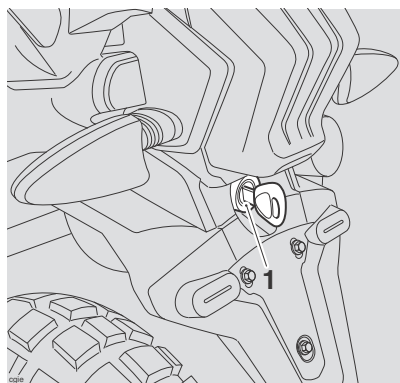
The seat lock is located on the rear fender, below the brake/tail light unit. To remove the seat, insert the ignition key into the seat lock and turn it anti-clockwise while pressing down on the rear of the seat. This will release the seat from its lock and allow it to be slid rearwards for complete removal from the motorcycle.

#### **Caution**

To prevent damage to the seat or seat cover, care must be taken not to drop the seat. Do not lean the seat against the motorcycle or any surface which may damage the seat or seat cover. Instead, place the seat, with the seat cover facing upwards, on a clean, flat surface which is covered with a soft cloth.

Do not place any item on the seat which may cause damage or staining to the seat cover.

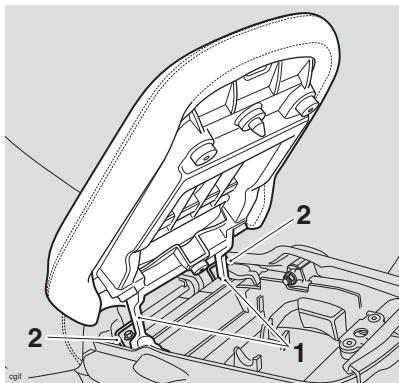
#### Rear Seat



**1. Seat lock**

## General Information

To refit the seat, engage the seat's two brackets under the loops on the subframe and press down at the rear to engage in the seat lock.



1. Rear seat brackets
2. Subframe loops

### Warning

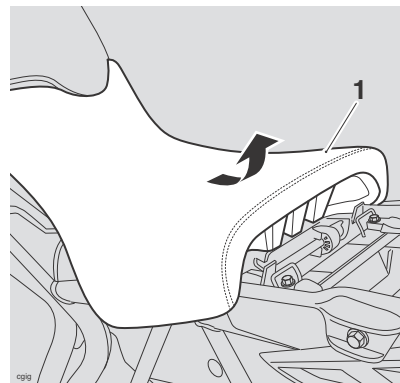
The rider's seat is only correctly retained and supported once the rear seat is correctly fitted. Never ride the motorcycle with the rear seat detached or removed, as the front seat will not be secure and may move.

A loose or detached seat could cause loss of motorcycle control and an accident.

### Warning

To prevent detachment of the seat during riding, after fitting always grasp the seat and pull firmly upwards. If the seat is not correctly secured, it will detach from the lock. A loose or detached seat could cause loss of motorcycle control and an accident.

### Rider's Seat



#### 1. Rider's seat

To remove the rider's seat, remove the rear seat (see page 50).

Grasp the rider's seat on either side, and slide it rearwards and upwards for complete removal from the motorcycle.

## General Information

To refit the seat, engage the seat's front rail into the bracket at the rear of the fuel tank and lower the rear rail in to the rear brackets. Push down firmly on the rear of the seat. Refit the rear seat (see page 50).

The rider's seat is adjustable for height by approximately 1 in (25 mm).

To adjust the rider's seat:

Remove the rider's seat (see page 57).

Reposition both seat height adjusters to the higher or lower position as required. Ensure both adjuster rails are fully engaged in their brackets on the seat.

Refit the rider's seat (see page 57).

### Warning

The rider's seat is only correctly retained and supported once the rear seat is correctly fitted. Never ride the motorcycle with the rear seat detached or removed, as the front seat will not be secure and may move.

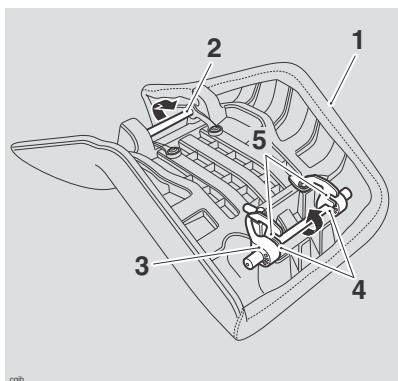
A loose or detached seat could cause loss of motorcycle control and an accident.

### Warning

Always adjust both seat height adjusters. Adjusting only one height adjuster may prevent correct fitment of the seat.

Riding the motorcycle with an incorrectly fitted seat may cause loss of control or an accident.

### Rider's Seat Height Adjustment



1. Rider's seat
2. Front seat height adjuster
3. Rear seat height adjuster
4. Low seat height position (rear shown)
5. High seat height position (rear shown)

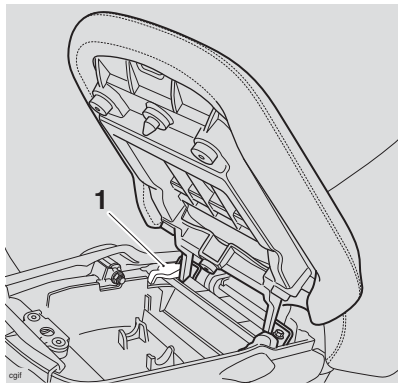
### Warning

After adjusting the seat, operate the motorcycle in an area free from traffic to gain familiarity with the new seat position. Riding the motorcycle with the seat in an unfamiliar position may cause loss of control or an accident.

## General Information

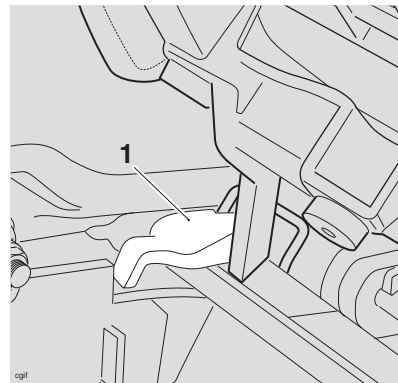
### Helmet Hook

A helmet can be secured to the motorcycle using the helmet hook located on the left hand side of the motorcycle, beneath the seat.



1. Helmet hook

To attach a helmet to the motorcycle, remove the seat and loop the helmet chin strap over the hook. Ensure the flat area above the hook is not obstructed by the helmet strap, as this will prevent the rear seat engaging correctly.



1. Helmet hook flat area

To secure the helmet, re-fit the seat and lock into position.

#### **Warning**

Never ride the motorcycle with helmet(s) secured to the helmet hook. Riding the motorcycle with helmet(s) secured to the helmet hook may cause the motorcycle to become unstable leading to loss of control and an accident.

#### **Caution**

Do not allow helmets to rest against a hot muffler. The helmet may be damaged.

## General Information

---

### Triumph Accessory D-lock Storage

Space is provided under the rear seat to store a Triumph accessory D-lock (available from your Triumph dealer).

Secure the lock as follows:

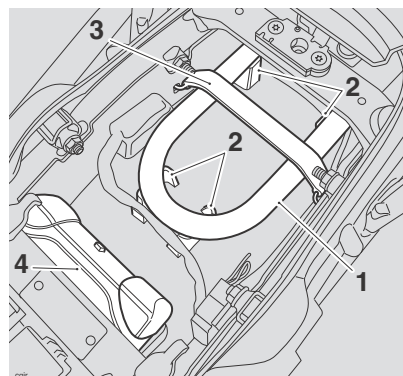
Release the strap securing the tool kit.

Position the U-section of the lock to the rear fender support features, ensuring the open end faces towards the rear of the motorcycle.

Secure the U-section using the tool kit strap as shown below.

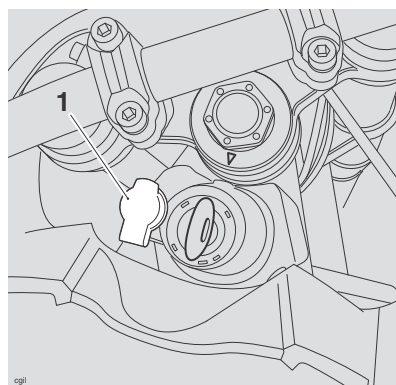
Position the lock body to the tray in the rear fender.

Refit the rear seat to secure the lock body.



1. Lock U-section
2. Rear fender lock support features
3. Tool kit strap (tool kit shown removed for clarity)
4. Lock body

### Electrical Accessory Socket



#### 1. Electrical accessory socket

An electrical accessory socket is provided on the motorcycle, located next to the ignition switch.

The socket will provide a 12 Volt electrical supply. Refer to the label in the fuse box lid for fuse amperage (see page 111).

To protect the battery from excessive discharge while using fitted electrical accessories the combined total current which may be drawn through the standard (and auxiliary sockets if fitted) is 5 amps.

A plug, suitable for use with the accessory socket, is available from your authorized Triumph dealer.

## General Information

---

### Breaking-In



Breaking-in is the name given to the process that occurs during the first hours of a new vehicle's operation.

In particular, internal friction in the engine will be higher when components are new. Later on, when continued operation of the engine has ensured that the components have 'bedded in', this internal friction will be greatly reduced.

A period of careful breaking-in will ensure lower exhaust emissions, and will optimize performance, fuel economy and longevity of the engine and other motorcycle components.

During the first 500 miles (800 kilometers):

- Do not use full throttle.
- Avoid high engine speeds at all times.
- Avoid riding at one constant engine speed, whether fast or slow, for a long period of time.
- Avoid aggressive starts, stops, and rapid accelerations, except in an emergency.
- Do not ride at speeds greater than 3/4 of maximum engine speed.

From 500 to 1000 miles (800 to 1500 kilometers):

- Engine speed can gradually be increased to the rev limit for short periods.

Both during and after breaking-in has been completed:

- Do not over-rev the engine when cold.
- Do not lug the engine. Always downshift before the engine begins to 'struggle'.
- Do not ride with engine speeds unnecessarily high. Shifting up a gear helps reduce fuel consumption, reduces noise and helps to protect the environment.

## General Information

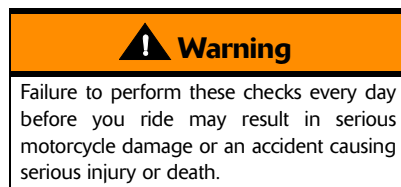
### Safe Operation

#### Daily Safety Checks



Check the following items each day before you ride. The time required is minimal, and these checks will help ensure a safe, reliable ride.

If any irregularities are found during these checks, refer to the Maintenance and Adjustment section or see your authorized Triumph dealer for the action required to return the motorcycle to a safe operating condition.



Check:

**Fuel:** Adequate supply in tank, no fuel leaks (page 46).

**Engine Oil:** Correct level on dipstick. Add correct specification oil as required. No leaks from the engine or oil cooler (page 80).

**Drive Chain:** Correct adjustment (page 90).

**Tires/Wheels:** Correct inflation pressures (when cold). Tread depth/wear, tire/wheel damage, punctures etc. (page 107).

**Nuts, Bolts, Fasteners:** Visually check that steering and suspension components, axles, and all controls are properly tightened or fastened. Inspect all areas for loose/damaged fasteners.

**Steering Action:** Smooth but not loose from lock to lock. No binding of any of the control cables (page 97).

**Brakes:** Pull the brake lever and push the brake pedal to check for correct resistance. Investigate any lever/pedal where the travel is excessive before meeting resistance, or if either control feels spongy in operation (page 93).

**Brake Pads:** There should be more than 0.06 in (1.5 mm) of friction material remaining on all the pads (page 94).

**Brake Fluid Levels:** No brake fluid leakage. Brake fluid levels must be between the MAX and MIN marks on both reservoirs (page 95).

**Front Forks:** Smooth action. No leaks from fork seals (page 98).

**Throttle:** Throttle grip free play 0.08-0.12 in (2-3 mm). Ensure that the throttle grip returns to the idle position without sticking (page 86).

**Clutch:** Smooth operation and correct cable free play (page 89).

**Coolant:** No coolant leakage. Check the coolant level in the expansion tank (when the engine is cold) (page 83).

**Electrical Equipment:** All lights and the horn function correctly (page 39).

**Engine Stop:** Stop switch turns the engine off (page 58).

**Stands:** Returns to the fully up position by spring tension. Return springs not weak or damaged (page 49).



## How to Ride the Motorcycle

---

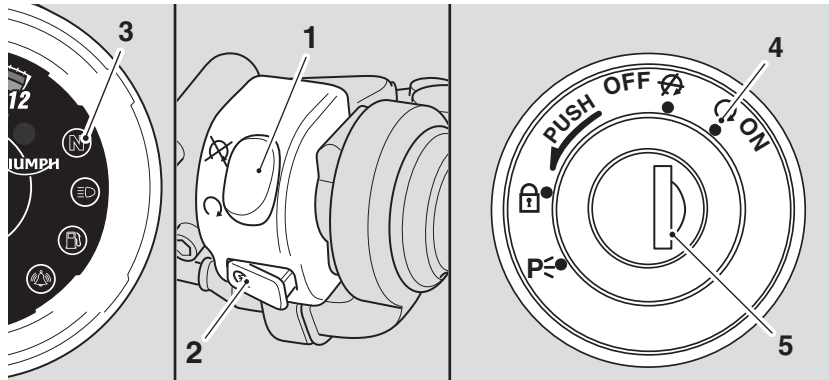
### HOW TO RIDE THE MOTORCYCLE

#### Table of Contents

To Stop the Engine.....	58
To Start the Engine.....	58
Moving Off.....	60
Shifting Gears.....	60
Braking.....	61
ABS (Anti-Lock Brake System) - (if fitted).....	63
Parking.....	64
Considerations for High-Speed Operation.....	65
General.....	66
Steering.....	66
Luggage.....	66
Brakes.....	66
Tires.....	66
Fuel.....	66
Engine Oil.....	67
Coolant.....	67
Electrical Equipment.....	67
Miscellaneous.....	67

## How to Ride the Motorcycle

### To Stop the Engine



1. Engine stop switch
2. Starter button
3. Neutral indicator light
4. ON position
5. Ignition switch

Close the throttle completely.

Select neutral.

Turn the ignition switch off.

Select first gear.

Support the motorcycle on a firm, level surface with the side stand.

Lock the steering.

#### Caution

The engine should normally be stopped by turning the ignition switch to the OFF position. The engine stop switch is for emergency use only. Do not leave the ignition switched on with the engine stopped. Electrical damage may result.

### To Start the Engine

Check that the engine stop switch is in the RUN position.

Ensure the transmission is in neutral.

Turn the ignition switch on.

#### Note:

- **When the ignition is switched on, the tachometer needle will quickly sweep from zero to maximum and then return to zero. The instrument warning lights will illuminate and will then go off (except those which normally remain on until the engine starts - see 'Warning Lights' on page 35). It is not necessary to wait for the needle to return to zero before starting the engine.**

## How to Ride the Motorcycle

- **A transponder is fitted within the key to turn off the engine immobiliser. To ensure the immobiliser functions correctly, always have only one of the ignition keys near the ignition switch. Having two ignition keys near the switch may interrupt the signal between the transponder and the engine immobiliser. In this situation the engine immobiliser will remain active until one of the ignition keys is removed.**

Pull the clutch lever fully into the handlebar.

Leaving the throttle fully closed, push the starter button until the engine starts.

### **Warning**

Never start the engine or run the engine in a confined area. Exhaust fumes are poisonous and can cause loss of consciousness and death within a short period of time. Always operate your motorcycle in the open-air or in an area with adequate ventilation.

### **Caution**

Do not operate the starter continuously for more than 5 seconds as the starter motor will overheat and the battery will become discharged. Wait 15 seconds between each operation of the starter to allow for cooling and recovery of battery power.

Do not let the engine idle for long periods as this may lead to overheating which will cause damage to the engine.

### **Caution**

The low oil pressure warning light should go out shortly after the engine starts.

If the low oil pressure warning light stays on after starting the engine, stop the engine immediately and investigate the cause. Running the engine with low oil pressure will cause severe engine damage.

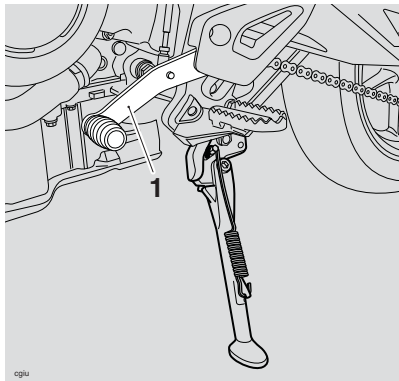
- The motorcycle is equipped with starter lockout switches. The switches prevent the electric starter from operating when the transmission is not in neutral with the side stand down.
- If the side stand is extended while the engine is running, and the transmission is not in neutral then the engine will stop regardless of clutch position.

## How to Ride the Motorcycle

### Moving Off

Pull in the clutch lever and select first gear. Open the throttle a little and let out the clutch lever slowly. As the clutch starts to engage, open the throttle a little more, allowing enough engine speed to avoid stalling.

### Shifting Gears



#### 1. Gear-shift pedal



Close the throttle while pulling in the clutch lever. Shift into the next higher or lower gear. Open the throttle part way, while releasing the clutch lever. Always use the clutch when shifting gear.

### Warning

Take care to avoid opening the throttle too far or too fast in any of the lower gears as this can lead to the front wheel lifting from the ground (pulling a 'wheelie') and to the rear tire breaking traction (wheel spin).

Always open the throttle cautiously, particularly if you are unfamiliar with the motorcycle, as a 'wheelie' or loss of traction will cause loss of motorcycle control and an accident.

#### Note:

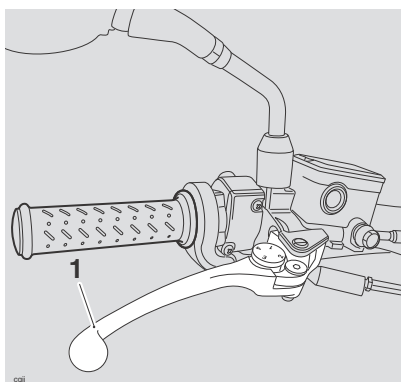
- **The gear shift mechanism is the 'positive stop' type. This means that, for each movement of the gear shift pedal, you can only select each gear, one after the other, in ascending or descending order.**

### Warning

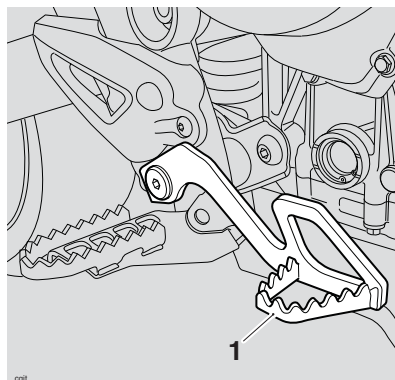
Do not shift to a lower gear at speeds that will cause excessive engine rpm (r/min). This can lock the rear wheel causing loss of control and an accident. Engine damage may also be caused. Shifting down should be done such that low engine speeds will be ensured.

## How to Ride the Motorcycle

### Braking



1. Front brake lever



1. Rear brake pedal

#### **Warning**

##### **WHEN BRAKING, OBSERVE THE FOLLOWING:**

Close the throttle completely, leaving the clutch engaged to allow the engine to help slow down the motorcycle.

Shift down one gear at a time such that the transmission is in first gear when the motorcycle comes to a complete stop.

When stopping, always apply both brakes at the same time. Normally the front brake should be applied a little more than the rear.

Shift down or fully disengage the clutch as necessary to keep the engine from stalling.

Never lock the brakes, as this may cause loss of control of the motorcycle and an accident.

#### **Warning**

For emergency braking, disregard down shifting, and concentrate on applying the front and rear brakes as hard as possible without skidding. Riders should practice emergency braking in a traffic-free area (see ABS warnings below/over).

Triumph strongly recommends that all riders take a course of instruction, which includes advice on safe brake operation. Incorrect brake technique could result in loss of control and an accident.

## How to Ride the Motorcycle

---

### **Warning**

For your safety, always exercise extreme caution when braking (whether or not ABS is fitted), accelerating or turning as any improper action can cause loss of control and an accident. Independent use of the front or rear brakes reduces overall braking performance. Extreme braking may cause either wheel to lock, reducing control of the motorcycle and causing an accident (see ABS warnings below).

When possible, reduce speed or brake before entering a turn as closing the throttle or braking in mid-turn may cause wheel slip leading to loss of control and an accident.

When riding in wet or rainy conditions, or on loose surfaces, the ability to maneuver and stop will be reduced. All of your actions should be smooth under these conditions. Sudden acceleration, braking or turning may cause loss of control and an accident.

### **Warning**

When descending a long, steep gradient, use engine braking by down shifting and use the brakes intermittently. Continuous brake application can overheat the brakes and reduce their effectiveness.

Riding with your foot on the brake pedal or your hands on the brake lever may actuate the brake light, giving a false indication to other road users. It may also overheat the brake, reducing braking effectiveness.

Do not coast with the engine switched off, and do not tow the motorcycle. The transmission is pressure-lubricated only when the engine is running. Inadequate lubrication may cause damage or seizure of the transmission, which can lead to sudden loss of motorcycle control and an accident.

### **Warning**

When using the motorcycle on loose, wet, or muddy roads, braking effectiveness will be reduced by dust, mud or moisture collecting on the brakes. Always brake earlier in these conditions to ensure brake surfaces are cleaned by the braking action. Riding the motorcycle with brakes contaminated with dust, mud or moisture may cause loss of control and an accident.

## How to Ride the Motorcycle

### ABS (Anti-Lock Brake System) - (if fitted)

#### **Warning**

Where fitted, ABS prevents the wheels from locking, therefore maximising the effectiveness of the braking system in emergencies and when riding on slippery surfaces. The potentially shorter braking distances ABS allows under certain conditions are not a substitute for good riding practice.

Always ride within the legal speed limit.

Never ride without due care and attention and always reduce speed in consideration of weather, road and traffic conditions.

Take care when cornering. If the brakes are applied in a corner, ABS will not be able to counteract the weight and momentum of the motorcycle. This can result in loss of control and an accident.

Under some circumstances it is possible that a motorcycle equipped with ABS may require a longer stopping distance than an equivalent motorcycle without ABS.

### ABS Warning Light



When the ignition switch is turned to the ON position, it is normal for the ABS warning light to flash on and off (see page 37).

If the ABS warning light is constantly illuminated it indicates that the ABS function is not available because:

- the ABS has been disabled by the rider (see page 37);
- the ABS has a malfunction that requires investigation.

If the indicator light becomes illuminated while riding, it indicates that the ABS has a malfunction that requires investigation.

#### Note:

- **Normally, the rider will perceive ABS operation as a harder feel or a pulsation of the brake lever and pedal. As the ABS is not an integrated braking system and it does not control both the front and rear brake at the same time, this pulsation may be felt in the lever, the pedal or both.**
- **The ABS may be activated by sudden upward or downward changes in the road surface.**

## How to Ride the Motorcycle

### Warning

If the ABS is not functioning, the brake system will continue to function as a non-ABS braking system. Do not continue to ride for longer than is necessary with the indicator light illuminated. In the event of a fault, contact an authorized Triumph dealer as soon as possible to have the fault checked and rectified. In this situation, braking too hard will cause the wheels to lock resulting in loss of control and an accident.

### Warning

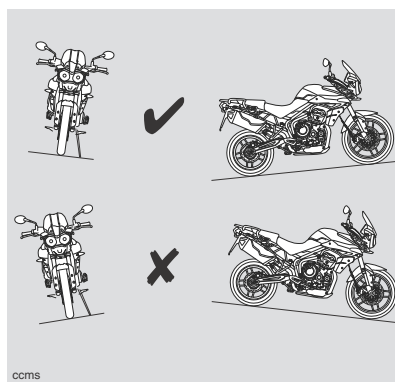
The ABS warning light will illuminate when the rear wheel is driven at high speed for more than 30 seconds when the motorcycle is on a stand. This reaction is normal.

When the ignition is switched off and the motorcycle is re-started, the warning light will illuminate until the motorcycle reaches a speed exceeding 19 mph (30 km/h).

### Warning

The ABS computer operates by comparing the relative speed of the front and rear wheels. Use of non-recommended tires can affect wheel speed and cause the ABS function not to operate, potentially leading to loss of control and an accident in conditions where the ABS would normally function.

## Parking



Select neutral and turn the ignition switch to the OFF position.

Lock the steering to help prevent theft.

Always park on a firm, level surface to prevent the motorcycle from falling. This is particularly important when parking off road.

When parking on a hill, always park facing uphill to prevent the motorcycle from rolling off the stand. Engage first gear to prevent the motorcycle from moving.

On a lateral (sideways) incline, always park such that the incline naturally pushes the motorcycle towards the sidestand.

Do not park on a lateral (sideways) incline of greater than 6° and never park facing downhill.

### Note:

- **When parking near traffic at night, or when parking in a location where parking lights are required by law, leave the tail, license plate and position lights on by turning the ignition switch to P (PARK).**



## How to Ride the Motorcycle

---

Do not leave the switch in the P position for long periods of time as this will discharge the battery.

### Warning

Do not park on a soft or on a steeply inclined surface. Parking under these conditions may cause the motorcycle to fall over causing damage to property and personal injury.

### Warning

Gasoline is extremely flammable and can be explosive under certain conditions. If parking inside a garage or other structure, be sure it is well ventilated and the motorcycle is not close to any source of flame or sparks. This includes any appliance with a pilot light.

Failure to follow the above advice may cause a fire resulting in damage to property or personal injury.

### Warning

The engine and exhaust system will be hot after riding. DO NOT park where pedestrians and children are likely to touch the motorcycle.

Touching any part of the engine or exhaust system when hot may cause unprotected skin to become burnt.

### Considerations for High-Speed Operation

#### Warning

This Triumph motorcycle should be operated within the legal speed limits for the particular road travelled. Operating a motorcycle at high speeds can be potentially dangerous since the time available to react to given traffic situations is greatly reduced as road speed increases. Always reduce speed in consideration of weather and traffic conditions.

#### Warning

Only operate this Triumph motorcycle at high speed in closed-course on-road competition or on closed-course racetracks. High-speed operation should only then be attempted by riders who have been instructed in the techniques necessary for high-speed riding and are familiar with the motorcycle's characteristics in all conditions.

High-speed operation in any other circumstances is dangerous and will lead to loss of motorcycle control and an accident.

## How to Ride the Motorcycle

---

### **Warning**

The handling characteristics of a motorcycle at high speed may vary from those you are familiar with at legal road speeds. Do not attempt high-speed operation unless you have received sufficient training and have the required skills as a serious accident may result from incorrect operation.

### **Warning**

The items listed are extremely important and must never be neglected. A problem, which may not be noticed at normal operating speeds, may be greatly exaggerated at high speeds.

#### **General**

Ensure the motorcycle has been maintained according to the scheduled maintenance chart.

#### **Steering**

Check that the handlebar turns smoothly without excessive free play or tight spots. Ensure that the control cables do not restrict the steering in any way.

#### **Luggage**

Make certain that any luggage containers are closed, locked and securely fitted to the motorcycle.

#### **Brakes**

Check that the front and rear brakes are functioning properly.

#### **Tires**

High-speed operation is hard on tires, and tires that are in good condition are crucial to riding safely. Examine their overall condition, inflate to the correct pressure (when the tires are cold), and check the wheel balance. Securely fit the valve caps after checking tire pressures. Observe the information given in the Maintenance and Specification sections on tire checking and tire safety.

#### **Fuel**

Have sufficient fuel for the increased fuel consumption that will result from high-speed operation.

### **Caution**

The exhaust system is fitted with a catalytic converter to help reduce exhaust emission levels. The catalytic converter can be permanently damaged if the motorcycle is allowed to run out of fuel or if the fuel level is allowed to get very low. Always ensure you have adequate fuel for your journey.

## How to Ride the Motorcycle

---

### **Engine Oil**

Make certain that the engine oil level is correct. Ensure that the correct grade and type of oil is used when topping off.

### **Coolant**

Check that the coolant level is at the upper level line in the expansion tank. (Always check the level with the engine cold.)

### **Electrical Equipment**

Make certain that the headlight, rear/brake light, direction indicators, horn, etc. all work properly.

### **Miscellaneous**

Visually check that all fasteners are tight.

## How to Ride the Motorcycle

---

This page intentionally left blank

## Accessories and Loading

### ACCESSORIES AND LOADING

The addition of accessories and carrying of additional weight can affect the motorcycle's handling characteristics causing changes in stability and necessitating a reduction in speed. The following information has been prepared as a guide to the potential hazards of adding accessories to a motorcycle and carrying passengers and additional loads.

Adjust the headlight aim to compensate for additional loads, see page 113.

#### Warning

Incorrect loading may result in an unsafe riding condition leading to an accident.

Always ensure any loads carried are evenly distributed on both sides of the motorcycle. Ensure that the load is correctly secured such that it will not move around while the motorcycle is in motion.

Always check the load security regularly (though not while the motorcycle is in motion) and ensure that the load does not extend beyond the rear of the motorcycle.

Never exceed the maximum vehicle loading weight of:

Tiger 800 - 496 lb (225 kg);

Tiger 800XC - 492 lb (223 kg).

This maximum loading weight is made up from the combined weight of the rider, passenger, any accessories fitted and any load carried.

#### Warning

Do not install accessories or carry luggage that impairs the control of the motorcycle. Make sure that you have not adversely affected the visibility of any lighting component, road clearance, banking capability (i.e. lean angle), control operation, wheel travel, front fork movement, visibility in any direction, or any other aspect of the motorcycle's operation.

#### Warning

This motorcycle must not be operated above the legal road speed limit except in authorized closed-course conditions.

#### Warning

Only operate this Triumph motorcycle at high speed in closed-course on-road competition or on closed-course racetracks. High-speed operation should only then be attempted by riders who have been instructed in the techniques necessary for high-speed riding and are familiar with the motorcycle's characteristics in all conditions.

High-speed operation in any other circumstances is dangerous and will lead to loss of motorcycle control and an accident.

## Accessories and Loading

### Warning

Your passenger should be instructed that he or she can cause loss of motorcycle control by making sudden movements or by adopting an incorrect seated position.

The rider should instruct the passenger as follows:

- It is important that the passenger sits still while the motorcycle is in motion and does not interfere with the operation of the motorcycle.
- To keep his or her feet on the passenger footrests and to firmly hold onto the seat strap or the rider's waist or hips.
- Advise the passenger to lean with the rider when travelling around corners and not to lean unless the rider does so.

### Warning

Do not carry animals on your motorcycle. An animal could make sudden and unpredictable movements that could lead to loss of motorcycle control and an accident.

### Warning

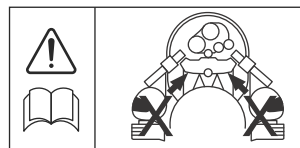
The handling and braking capabilities of a motorcycle will be affected by the presence of a passenger. The rider must make allowances for these changes when operating the motorcycle with a passenger and should not attempt such operation unless trained to do so and without becoming familiar and comfortable with the changes in motorcycle operating characteristics that this brings about.

Motorcycle operation without making allowances for the presence of a passenger could lead to loss of motorcycle control and an accident.

### Warning

Never attempt to store any items between the frame and the fuel tank. This can restrict the steering and will cause loss of control leading to an accident.

Weight attached to the handlebar or front fork will increase the mass of the steering assembly and can result in loss of steering control leading to an accident.



## Accessories and Loading

---

### Warning

Do not carry a passenger unless he or she is tall enough to reach the footrests provided.

A passenger who is not tall enough to reach the footrests will be unable to sit securely on the motorcycle and may cause instability leading to loss of control and an accident.

### Warning

Never ride an accessory equipped motorcycle, or a motorcycle carrying a payload of any kind, at speeds above 80 mph (130 km/h). In either/both of these conditions, speeds in excess of 80 mph (130 km/h) should not be attempted even where the legal speed limit permits this.

The presence of accessories and/or payload will cause changes in the stability and handling of the motorcycle.

Failure to allow for changes in motorcycle stability may lead to loss of control or an accident.

Remember that the 80 mph (130 km/h) absolute limit will be reduced by the fitting of non-approved accessories, incorrect loading, worn tires, overall motorcycle condition and poor road or weather conditions.

### Warning

If the passenger seat is used to carry small objects, they must not exceed 5 kg in weight, must not impair control of the motorcycle, must be securely attached and must not extend beyond the rear or sides of the motorcycle.

Carrying of objects in excess of 5 kg in weight, that are insecure, impair control or extend beyond the rear or sides of the motorcycle may lead to loss of motorcycle control and an accident.

Even if small objects are correctly loaded onto the rear seat, the maximum speed of the motorcycle must be reduced to 80 mph (130 km/h).

## Accessories and Loading

---

This page intentionally left blank



## Maintenance and Adjustment

---

### MAINTENANCE AND ADJUSTMENT

#### Table of Contents

Scheduled Maintenance . . . . .	76
Engine Oil . . . . .	80
Oil Level Inspection . . . . .	80
Oil and Oil Filter Change . . . . .	81
Disposal of Used Engine Oil and Oil Filters . . . . .	82
Oil Specification and Grade . . . . .	83
Cooling System . . . . .	83
Corrosion Inhibitors . . . . .	83
Coolant Level Inspection . . . . .	84
Coolant Level Adjustment . . . . .	85
Coolant Change . . . . .	85
Radiator and Hoses . . . . .	86
Throttle Control . . . . .	86
Inspection . . . . .	87
Adjustment . . . . .	87
Clutch . . . . .	89
Inspection . . . . .	89
Adjustment . . . . .	89
Drive Chain . . . . .	90
Chain Lubrication . . . . .	90
Chain Free-Movement Inspection . . . . .	91
Chain Free-Movement Adjustment . . . . .	91
Chain and Sprocket Wear Inspection . . . . .	92
Brakes . . . . .	93
Brake Wear Inspection . . . . .	93
Breaking-in New Brake Pads and Discs . . . . .	93
Brake Pad Wear Compensation . . . . .	94
Disc Brake Fluid . . . . .	95
Front Brake Fluid Level Inspection and Adjustment . . . . .	95
Rear Brake Fluid Inspection and Adjustment . . . . .	96
Brake Light Switches . . . . .	96

## Maintenance and Adjustment

---

Steering/Wheel Bearings . . . . .	97
Steering Inspection . . . . .	97
Inspecting the Steering (Steering Head) Bearings for Free Play . . . . .	97
Wheel Bearings Inspection . . . . .	98
Front Suspension . . . . .	98
Front Fork Inspection . . . . .	98
Rear Suspension . . . . .	99
Suspension Setting Chart - Tiger 800 only . . . . .	99
Suspension Setting Chart - Tiger 800XC only . . . . .	99
Rear Suspension Adjustment . . . . .	99
Spring Pre-Load Adjustment . . . . .	100
Rebound Damping Adjustment - Tiger 800XC models only . . . . .	100
Tires . . . . .	101
Tire Inflation Pressures . . . . .	102
Tire Wear . . . . .	103
Minimum Recommended Tread Depth . . . . .	103
Tire Replacement . . . . .	104
Battery . . . . .	107
Battery Removal . . . . .	107
Battery Disposal . . . . .	108
Battery Maintenance . . . . .	108
Battery Discharge . . . . .	108
Battery Maintenance During Storage and Infrequent Use of the Motorcycle . . . . .	108
Battery Charging . . . . .	109
Battery Installation . . . . .	110
Fuse Boxes . . . . .	110
Fuse Identification . . . . .	111
Headlights . . . . .	112
Headlights . . . . .	112
Headlight Adjustment . . . . .	113
Headlight Bulb Replacement . . . . .	114
Brake/tail Light/License Plate Light . . . . .	115
Brake/tail Light/License Plate Light Replacement . . . . .	115

## Maintenance and Adjustment

---

Turn Signal Lights .....	115
Bulb Replacement .....	115
Bank angle Indicators .....	116
Cleaning .....	117
Care of Matt Paintwork .....	117
Preparation for Washing .....	117
Where to be Careful .....	118
After Washing .....	118
Seat Care .....	118
Unpainted Aluminum Items .....	119
Cleaning of the Exhaust System .....	119
Windshield Cleaning .....	119
Washing .....	120
Drying .....	120
Protecting .....	120
Care of Leather products .....	121

## Maintenance and Adjustment

---

### Scheduled Maintenance

To maintain the motorcycle in a safe and reliable condition, the maintenance and adjustments outlined in this section must be carried out as specified in the schedule of daily checks, and also in line with the scheduled maintenance chart. The information that follows describes the procedures to follow when carrying out the daily checks and some simple maintenance and adjustment items.

#### Warning

All maintenance is vitally important and must not be neglected. Incorrect maintenance or adjustment may cause one or more parts of the motorcycle to malfunction. A malfunctioning motorcycle may lead to loss of control and an accident. Weather, terrain and geographical location affects maintenance. The maintenance schedule should be adjusted to match the particular environment in which the vehicle is used and the demands of the individual owner.

Special tools, knowledge and training are required in order to correctly carry out the maintenance items listed in the scheduled maintenance chart. Only an authorized Triumph dealer will have this knowledge and equipment.

Since incorrect or neglected maintenance can lead to a dangerous riding condition, always have an authorized Triumph dealer carry out the scheduled maintenance of this motorcycle.

Scheduled maintenance may be carried out by your dealer in three ways; annual maintenance, mileage based maintenance or a combination of both, depending on the mileage the motorcycle travels each year.

1. Motorcycles travelling less than 6,000 miles per year must be maintained annually. In addition to this, mileage based items require maintenance at their specified intervals, as the motorcycle reaches this mileage.
2. Motorcycles travelling approximately 6,000 miles per year must have the annual maintenance and the specified mileage based items carried out together.
3. Motorcycles travelling more than 6,000 miles per year must have the mileage based items maintained as the motorcycle reaches the specified mileage. In addition to this, annual based items will require maintenance at their specified annual intervals.

In all cases maintenance must be carried out at or before the specified maintenance intervals shown. Consult an authorized Triumph dealer for advice on which maintenance schedule is most suitable for your motorcycle.

Triumph Motorcycles cannot accept any responsibility for damage or injury resulting from incorrect maintenance or improper adjustment carried out by the owner.

## Maintenance and Adjustment

Operation Description	Odometer Reading in Miles (Kms) or Time Period, whichever comes first					
		First Service	Annual Service	Mileage Based Service		
	Every	500 (800) 1 month	Year	6,000 and 18,000 (10,000 and 30,000)	12,000 (20,000)	24,000 (40,000)
Engine and oil cooler - check for leaks	Day	•	•	•	•	•
Engine oil - renew	-	•	•	•	•	•
Engine and oil filter - renew	-	•	•	•	•	•
Valve clearances - check/adjust	-				•	•
Air cleaner - renew	-				•	•
Autoscan - carry out a full Autoscan using the Triumph diagnostic tool	-	•	•	•	•	•
ABS and Immobiliser ECMs - check for stored DTCs		•	•	•	•	•
Spark plugs - check	-			•		
Spark plugs - renew	-				•	•
Throttle body plate (butterfly) - check/clean				•	•	•
Throttle bodies - balance	-			•	•	•
Throttle cables - check/adjust	Day	•	•	•	•	•
Cooling system - check for leaks	Day	•	•	•	•	•
Coolant level - check/adjust	Day	•	•	•	•	•
Coolant - renew	Every 3 years, regardless of mileage					
Fuel system - check for leaks, chafing etc.	Day	•	•	•	•	•
Lights, instruments and electrical systems - check	Day	•	•	•	•	•
Steering - check for free operation	Day	•	•	•	•	•
Headstock bearings - check/adjust	-		•	•	•	•

## Maintenance and Adjustment

Operation Description	Odometer Reading in Miles (Kms) or Time Period, whichever comes first					
		First Service	Annual Service	Mileage Based Service		
	Every	500 (800) 1 month	Year	6,000 and 18,000 (10,000 and 30,000)	12,000 (20,000)	24,000 (40,000)
Forks - check for leaks/smooth operation	Day	•	•	•	•	•
Fork oil - renew	-					•
Brake fluid levels - check	Day	•	•	•	•	•
Brake fluid - renew	Every 2 years, regardless of mileage					
Brake pads - check wear levels	Day	•	•	•	•	•
Brake master cylinders - check for fluid leaks	Day	•	•	•	•	•
Brake calipers - check for fluid leaks and seized pistons	Day	•	•	•	•	•
Rear suspension linkage - check/lubricate	-				•	•
Drive chain - lubricate	Every 200 miles (300 kms)					
Drive chain - wear check	Every 500 miles (800 kms)					
Drive chain slack - check/adjust	Day	•	•	•	•	•
Drive chain rubbing strip - renew	-			•	•	•
Fasteners - inspect visually for security	Day	•	•	•	•	•
Wheels - inspect for damage	Day	•	•	•	•	•
Wheels - check wheels for broken or damaged spokes and check spoke tightness (Tiger 800XC models only)	Day	•	•	•	•	•
Wheel bearings - check for wear/smooth operation	-	•	•	•	•	•
Tyre wear/tyre damage - check	Day	•	•	•	•	•
Tyre pressures - check/adjust	Day	•	•	•	•	•
Clutch cable - check/adjust	Day	•	•	•	•	•
Centre and/or side stand - check operation	Day	•	•	•	•	•

## Maintenance and Adjustment

Operation Description	Odometer Reading in Miles (Kms) or Time Period, whichever comes first					
		First Service	Annual Service	Mileage Based Service		
	Every	500 (800) 1 month	Year	6,000 and 18,000 (10,000 and 30,000)	12,000 (20,000)	24,000 (40,000)
Secondary exhaust clamp bolts - check/adjust	-	•	•	•	•	•
Accessory rack sliding carriage - check for correct operation‡			•	•	•	•
Accessory pannier link mechanism - check for correct operation and adjustment‡		•	•	•	•	•
Fuel and evaporative loss* hoses - renew	Every 4 years, regardless of mileage					
Secondary exhaust clamp bolts - check/adjust	-	•	•	•	•	•

\*Evaporative system fitted to models for certain markets only.

‡Only if fitted.

## Maintenance and Adjustment

### Engine Oil

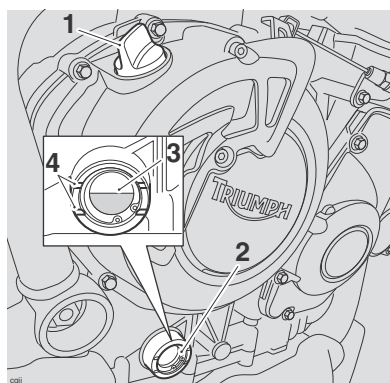


In order for the engine, transmission, and clutch to function correctly, maintain the engine oil at the correct level, and change the oil and oil filter in accordance with scheduled maintenance requirements.

#### **Warning**

Motorcycle operation with insufficient, deteriorated, or contaminated engine oil will cause accelerated engine wear and may result in engine or transmission seizure. Seizure of the engine or transmission may lead to sudden loss of control and an accident.

### Oil Level Inspection



1. Filler
2. Sight glass
3. Oil level (correct level shown)
4. Crankcase oil level lines

#### **Warning**

Never start the engine or run the engine in a confined area. Exhaust fumes are poisonous and can cause loss of consciousness and death within a short period of time. Always operate your motorcycle in the open-air or in an area with adequate ventilation.

#### **Caution**

Running the engine with insufficient oil will cause engine damage. If the low oil pressure indicator remains on, stop the engine immediately and investigate the cause.



## Maintenance and Adjustment

Start the engine and run at idle for approximately five minutes.

Stop the engine, then wait for at least three minutes for the oil to settle.

Note the oil level visible in the sight glass.

When correct, oil should be visible in the sight-glass at a point mid-way between the upper (maximum) and lower (minimum) horizontal lines marked on the crankcase.

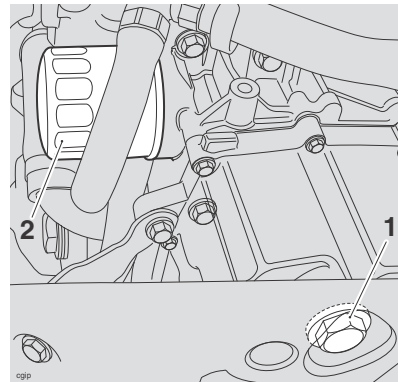
### Note:

- **An accurate indication of the level of oil in the engine is only shown when the engine is at normal operating temperature and the motorcycle is upright (not on the side stand).**

If it is necessary to top off the oil level, remove the filler plug and add oil, a little at a time, until the level registered in the sight glass is correct.

Once the correct level is reached, fit and tighten the filler plug.

### Oil and Oil Filter Change



1. Oil drain plug
2. Oil filter

The engine oil and filter must be replaced in accordance with scheduled maintenance requirements.

### Warning

Prolonged or repeated contact with engine oil can lead to skin dryness, irritation and dermatitis. In addition, used engine oil contains harmful contamination that can lead to skin cancer. Always wear suitable protective clothing and avoid skin contact with used oil.

Warm up the engine thoroughly, and then stop the engine and secure the motorcycle in an upright position on level ground.

Place an oil drain pan beneath the engine.

Remove the oil drain plug.

## Maintenance and Adjustment

---

### Warning

The oil may be hot to the touch. Avoid contact with the hot oil by wearing suitable protective clothing, gloves, eye protection, etc. Contact with hot oil may cause the skin to be scalded or burned.

Unscrew and remove the oil filter using Triumph service tool T3880313. Dispose of the old filter in an environmentally friendly way.

Apply a thin smear of clean engine oil to the sealing ring of the new oil filter. Fit the oil filter and tighten to **7 lb ft (10 Nm)**.

After the oil has completely drained out, fit a new sealing washer to the drain plug. Fit and tighten the plug to **18 lb ft (25 Nm)**.

Fill the engine with a 10W/40 or 10W/50 semi or fully synthetic motorcycle engine oil that meets specification API SH (or higher) and JASO MA, such as Castrol Power 1 Racing 4T 10W-40 (fully synthetic).

Start the engine and allow it to idle for a minimum of 30 seconds.

### Caution

Raising the engine speed above idle before the oil reaches all parts of the engine can cause engine damage or seizure. Only raise engine speed after running the engine for 30 seconds to allow the oil to circulate fully.

### Caution

If the engine oil pressure is too low, the low oil pressure warning light will illuminate. If this light stays on when the engine is running, stop the engine immediately and investigate the cause. Running the engine with low oil pressure will cause engine damage.

Ensure that the low oil pressure warning light extinguishes shortly after starting.

Stop the engine and re-check the oil level. Adjust if necessary.

### Disposal of Used Engine Oil and Oil Filters

To protect the environment, do not pour oil on the ground, down sewers or drains, or into groundwater sources. Do not place used oil filters in with general waste. If in doubt, contact your local authority.

## Maintenance and Adjustment

---

### Oil Specification and Grade

Triumph high performance fuel injected engines are designed to use 10W/40 or 10W/50 semi or fully synthetic motorcycle engine oil that meets specification API SH (or higher) and JASO MA, such as Castrol Power 1 Racing 4T 10W-40 (fully synthetic) engine oil, sold as Castrol Power RS Racing 4T 10W-40 (fully synthetic) in some countries.

Do not add any chemical additives to the engine oil. The engine oil also lubricates the clutch and any additives could cause the clutch to slip.

Do not use mineral, vegetable, non-detergent oil, castor based oils or any oil not conforming to the required specification. The use of these oils may cause instant, severe engine damage.

### Cooling System

To ensure efficient engine cooling, check the coolant level each day before riding the motorcycle, and top Off the coolant if the level is low.



#### Note:

- **A year-round, Hybrid Organic Acid Technology (known as Hybrid OAT or HOAT) coolant is installed in the cooling system when the motorcycle leaves the factory. It is colored green, contains a 50% solution of ethylene glycol based antifreeze, and has a freezing point of -31°F (-35°C).**

### Corrosion Inhibitors

To protect the cooling system from corrosion, the use of corrosion inhibitor chemicals in the coolant is essential.

If coolant containing a corrosion inhibitor is not used, the cooling system will accumulate rust and scale in the water jacket and radiator. This will block the coolant passages, and considerably reduce the efficiency of the cooling system.

## Maintenance and Adjustment

---

### Warning

HD4X Hybrid OAT coolant contains corrosion inhibitors and anti-freeze suitable for aluminum engines and radiators. Always use the coolant in accordance with the instructions of the manufacturer.

Coolant that contains anti-freeze and corrosion inhibitors contains toxic chemicals that are harmful to the human body. Never swallow anti-freeze or any of the motorcycle coolant.

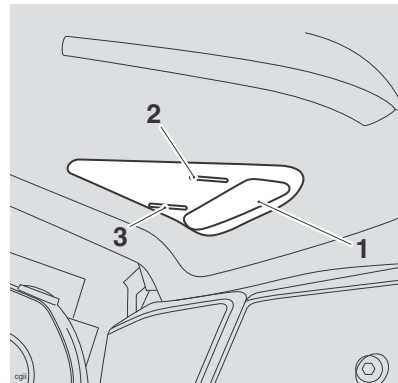
#### Note:

- **HD4X Hybrid OAT coolant, as supplied by Triumph, is pre-mixed and does not need to be diluted prior to filling or topping off the cooling system.**

### Coolant Level Inspection

#### Note:

- **The coolant level should be checked when the engine is cold (at room or ambient temperature).**



1. Expansion tank
2. MAX mark
3. MIN mark

Position the motorcycle on level ground and in an upright position. The expansion tank can be viewed from the right hand of the motorcycle, below and towards the front of the fuel tank.

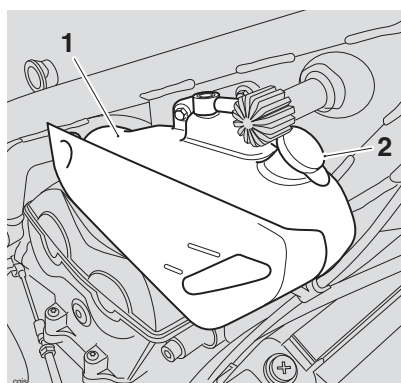
Check the coolant level in the expansion tank. The coolant level must be between the MAX and MIN marks. If the coolant is below the minimum level, the coolant level must be adjusted.

## Maintenance and Adjustment

### Coolant Level Adjustment

#### Warning

Do not remove the expansion tank or radiator pressure cap when the engine is hot. When the engine is hot, the coolant inside the radiator will be hot and also under pressure. Contact with this hot, pressurized coolant will cause scalds and skin damage.



1. Expansion tank (fuel tank shown removed for clarity)
2. Expansion tank cap

Allow the engine to cool.

The expansion tank cap can be removed from the right hand side of the motorcycle, between the front of the fuel tank and the frame.

Remove the cap from the expansion tank and add coolant mixture through the filler opening until the level reaches the MAX mark. Refit the cap.

#### Note:

- If the coolant level is being checked because the coolant has overheated, also check the level in the radiator and top off if necessary.
- In an emergency, distilled water can be added to the cooling system. However, the coolant must then be drained and replenished with HD4X Hybrid OAT coolant as soon as possible.

#### Caution

If hard water is used in the cooling system, it will cause scale accumulation in the engine and radiator and considerably reduce the efficiency of the cooling system. Reduced cooling system efficiency may cause the engine to overheat and suffer severe damage.

#### Coolant Change

Have the coolant changed by an authorized Triumph dealer in accordance with scheduled maintenance requirements.

## Maintenance and Adjustment

### Radiator and Hoses

Check the radiator hoses for cracks or deterioration, and hose clips for tightness in accordance with scheduled maintenance requirements. Have your authorized Triumph dealer replace any defective items.

Check the radiator grille and fins for obstructions by insects, leaves or mud. Clean off any obstructions with a stream of low-pressure water.

#### **Warning**

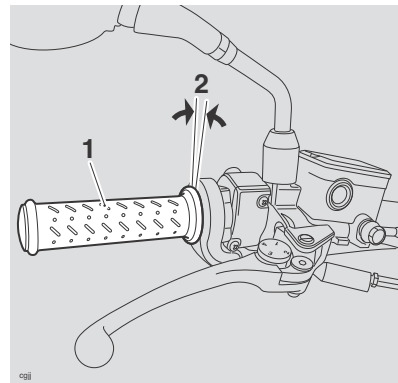
The fan operates automatically when the engine is running. Always keep hands and clothing away from the fan as contact with the rotating fan can cause injury.

#### **Caution**

Using high-pressure water sprays, such as from a car wash facility or household pressure washer, can damage the radiator fins, cause leaks and impair the radiator's efficiency.

Do not obstruct or deflect airflow through the radiator by installing unauthorized accessories, either in front of the radiator or behind the cooling fan. Interference with the radiator airflow can cause overheating, potentially resulting in engine damage.

### Throttle Control



1. Throttle grip
2. Correct setting 0.08-0.12 in (2-3 mm)

#### **Warning**

The throttle grip controls the throttle valves in the throttle bodies. If the throttle cables are incorrectly adjusted, either too tight or too loose, the throttle may be difficult to control and performance will be adversely affected.

Check the throttle grip free play in accordance with scheduled maintenance requirements and make adjustments as necessary.

## Maintenance and Adjustment

### Warning

Always be alert for changes in the 'feel' of the throttle and have the throttle system checked by an authorized Triumph dealer if any changes are detected. Changes can be due to wear in the mechanism, which could lead to a sticking throttle.

An incorrectly adjusted, sticking or stuck throttle will lead to loss of motorcycle control and an accident.

### Inspection

### Warning

Use of the motorcycle with incorrectly adjusted, incorrectly routed, sticking or damaged throttle cables will interfere with the throttle function resulting in loss of motorcycle control and an accident.

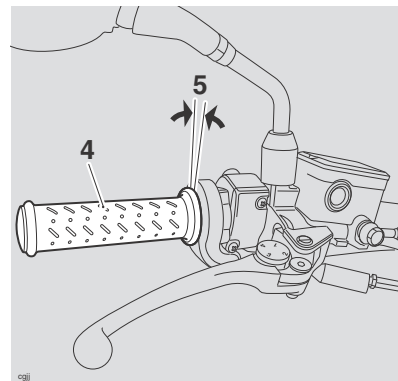
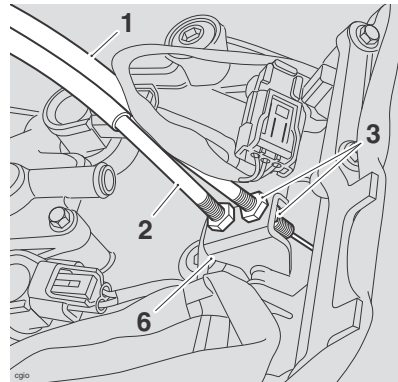
To avoid incorrect adjustment, incorrect routing, or continued use of a sticking or damaged throttle, always have your throttle checked and adjusted by your authorized Triumph dealer.

Check that the throttle opens smoothly, without undue force and that it closes without sticking. Have your authorized Triumph dealer check the throttle system if a problem is detected or any doubt exists.

Check that there is 0.08-0.12 in (2-3 mm) of throttle grip free play when lightly turning the throttle grip back and forth.

If there is an incorrect amount of free play, Triumph recommends that you have adjustments made by your authorized Triumph dealer. However, in an emergency, throttle adjustment may be made as follows:

### Adjustment



1. Opening cable
2. Closing cable
3. Opening cable adjuster locknuts
4. Throttle grip
5. Opening cable – free play measurement point
6. Closing cable – free play measurement point

## Maintenance and Adjustment

---

Remove the seat.

Disconnect the battery, negative (black) lead first.

Remove the fuel tank.

Release the locknuts on the 'opening' cable adjusters.

Rotate the 'opening' cable adjuster at the throttle grip end such that it has an equal amount of adjustment in each direction.

Rotate the 'opening' cable adjuster at the throttle body end of the cable to give 0.08-0.12 in (2-3 mm) of play at the throttle grip. Tighten the locknut.

Make any minor adjustments as necessary to give 0.08-0.12 in (2-3 mm) of play using the adjuster near the throttle grip end of the cable. Tighten the adjuster locknut.

With the throttle fully closed, ensure that there is 0.08-0.12 in (2-3 mm) of free play in the 'closing' cable at the throttle cam attached to the throttle bodies. If necessary, adjust at the throttle body end in the same way as the 'opening' cable, until 0.08-0.12 in (2-3 mm) of play is present.

Tighten the adjuster locknuts.

### **Warning**

Ensure that all the adjuster locknuts of all cables are tightened, as a loose locknut could result in a sticking throttle.

An incorrectly adjusted, sticking or stuck throttle can lead to loss of motorcycle control and an accident.

Refit the fuel tank.

Reconnect the battery, positive (red) lead first.

Refit the rider's seat.

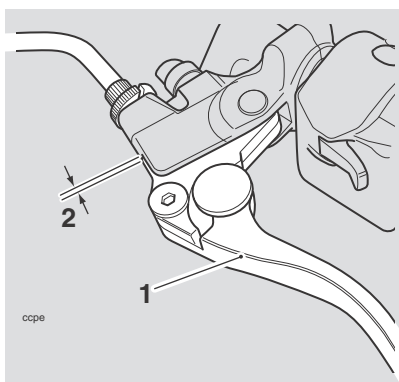
Check that the throttle opens smoothly, without undue force and that it closes without sticking.

Ride carefully to your nearest authorized Triumph dealer and have them check the throttle system thoroughly before riding again.



## Maintenance and Adjustment

### Clutch



1. Clutch lever
2. 0.08-0.12 in (2-3 mm)

The motorcycle is equipped with a cable-operated clutch.

If the clutch lever has excessive free play, the clutch may not disengage fully. This will cause difficulty in shifting gear and selecting neutral. This may cause the engine to stall and make the motorcycle difficult to control.

Conversely, if the clutch lever has insufficient free play the clutch may not engage fully, causing the clutch to slip, which will reduce performance and cause premature clutch wear.

Clutch lever free play must be checked in accordance with scheduled maintenance requirements.

### Inspection

Check that there is 0.08-0.12 in (2-3 mm) clutch lever free play at the lever.

If there is an incorrect amount of free play, adjustments must be made.

### Adjustment

Turn the adjuster sleeve until the correct amount of clutch lever free play is achieved.

If correct adjustment cannot be made using the lever adjuster, use the cable adjuster at the lower end of the cable.

Loosen the adjuster locknut.

Turn the outer cable adjuster to give 0.08-0.12 in (2-3 mm) of free play at the clutch lever.

Tighten the locknut.

## Maintenance and Adjustment

---

### Drive Chain



For safety and to prevent excessive wear the drive chain must be checked, adjusted and lubricated in accordance with scheduled maintenance requirements. Checking, adjustment and lubrication must be carried out more frequently for extreme conditions such as salty or heavily gritted roads.

If the chain is badly worn or incorrectly adjusted (either too loose or too tight) the chain could jump off the sprockets or break. Therefore, always replace worn or damaged chains using genuine Triumph parts supplied by an authorized Triumph dealer.

#### **Warning**

A loose or worn chain, or a chain that breaks or jumps off the sprockets could catch on the engine sprocket or lock the rear wheel.

A chain that snags on the engine sprocket will injure the rider and lead to loss of motorcycle control and an accident.

Similarly, locking the rear wheel will lead to loss of motorcycle control and an accident.

### Chain Lubrication

Lubrication is necessary every 200 miles (300 kms) and also after riding in wet weather, on wet roads, or any time that the chain appears dry.

Use the special chain lubricant as recommended in the Specification section.

Apply lubricant to the sides of the rollers then allow the motorcycle to stand unused for at least 8 hours (overnight is ideal). This will allow the oil to penetrate to the chain O-rings etc.

Before riding, wipe off any excess oil.

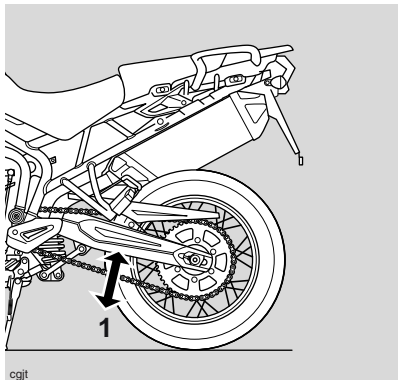
If the chain is especially dirty, clean first and then apply oil as mentioned above.

#### **Caution**

Do not use a pressure wash to clean the chain as this may cause damage to the chain components.

## Maintenance and Adjustment

### Chain Free-Movement Inspection



1. Maximum movement position

#### Warning

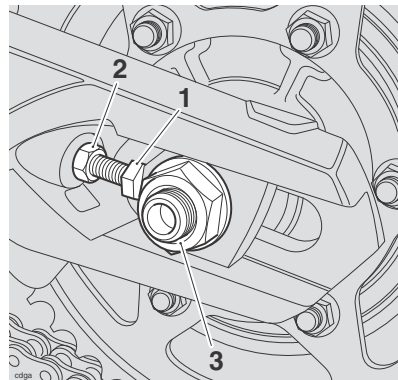
Before starting work, ensure the motorcycle is stabilized and adequately supported. This will help prevent injury to the operator or damage to the motorcycle.

Place the motorcycle on a level surface and hold it in an upright position with no weight on it.

Rotate the rear wheel by pushing the motorcycle to find the position where the chain is tightest, and measure the vertical movement of the chain midway between the sprockets.

### Chain Free-Movement Adjustment

The vertical movement of the drive chain must be in the range 0.8 - 1.2 in (20 - 30 mm).



1. Adjuster bolt
2. Adjuster bolt locknut
3. Rear wheel spindle nut

Loosen the wheel spindle nut.

Release the locknuts on both the left hand and right hand chain adjuster bolts.

Moving both adjusters by an equal amount, turn the adjuster bolts clockwise to increase chain free-movement and counter-clockwise to reduce chain free-movement.

## Maintenance and Adjustment

When the correct amount of chain free-movement has been set, push the wheel into firm contact with the adjuster. Tighten both adjuster locknuts to **15 lb ft (20 Nm)** and the rear wheel spindle nut to **81 lb ft (110 Nm)**.

Repeat the chain adjustment check. Re-adjust if necessary.

### **Warning**

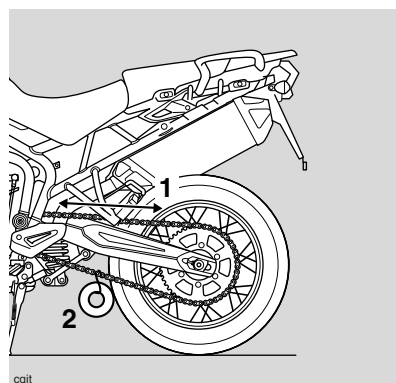
Operation of the motorcycle with insecure adjuster locknuts or a loose wheel spindle may result in impaired stability and handling of the motorcycle. This impaired stability and handling may lead to loss of control or an accident.

Check the rear brake effectiveness. Rectify if necessary.

### **Warning**

It is dangerous to operate the motorcycle with defective brakes; you must have your authorized Triumph dealer take remedial action before you attempt to ride the motorcycle again. Failure to take remedial action may reduce braking efficiency leading to loss of control or an accident.

## Chain and Sprocket Wear Inspection



1. Measure across 20 links
2. Weight

Remove the chain guard.

Stretch the chain taut by hanging a 20-40 lb (10-20 kg) weight on the chain.

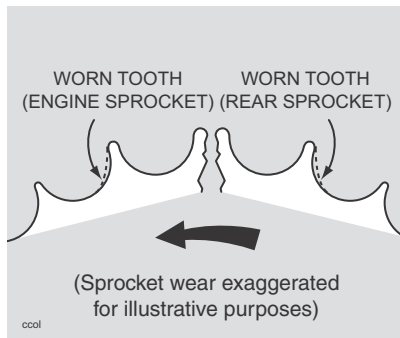
Measure the length of 20 links on the straight part of the chain from pin center of the 1<sup>st</sup> pin to the pin center of the 21<sup>st</sup> pin. Since the chain may wear unevenly, take measurements in several places.

If the length exceeds the maximum service limit of 12.6 in (319 mm), the chain must be replaced.

Rotate the rear wheel and inspect the drive chain for damaged rollers, and loose pins and links.

## Maintenance and Adjustment

Also inspect the sprockets for unevenly or excessively worn or damaged teeth.



If there is any irregularity, have the drive chain and/or the sprockets replaced by an authorized Triumph dealer.

Replace the chain guard.

### Warning

The use of non-approved chains may result in a broken chain or may cause the chain to jump off the sprockets.

Use a genuine Triumph supplied chain as specified in the Triumph Parts Catalogue.

Never neglect chain maintenance and always have chains installed by an authorized Triumph dealer.

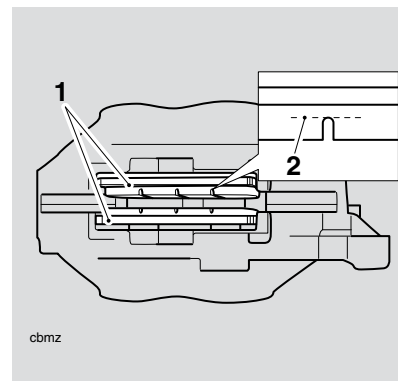
### Caution

If the sprockets are found to be worn, always replace the sprockets and drive chain together.

Replacing worn sprockets without also replacing the chain will lead to premature wear of the new sprockets.

## Brakes

### Brake Wear Inspection



#### 1. Brake pads

#### 2. Minimum thickness line

Brake pads must be inspected in accordance with scheduled requirements and replaced if worn to, or beyond the minimum service thickness.

If the lining thickness of any pad (front or rear brakes) is less than 0.06 in (1.5 mm), that is, if the pad has worn down to the bottom of the grooves, replace all the pads on the wheel.

### Breaking-in New Brake Pads and Discs

After replacement brake discs and/or pads have been fitted to the motorcycle, we recommend a period of careful breaking-in that will optimize the performance and longevity of the discs and pads. The recommended distance for breaking-in new pads and discs is 200 miles (300 km).

## Maintenance and Adjustment

---

After fitting new brake discs and/or pads avoid extreme braking, ride with caution and allow for greater braking distances during the breaking-in period.

### Warning

Brake pads must always be replaced as a wheel set. At the front, where two calipers are fitted on the same wheel, replace all the brake pads in both calipers.

Replacing individual pads will reduce braking efficiency and may cause an accident.

After replacement brake pads have been fitted, ride with extreme caution until the new pads have 'broken in'.

### Warning

Brake pad wear will be increased if the motorcycle is used frequently off-road. Always inspect the brake pads more frequently if the motorcycle is used off-road, and replace the brake pads before they become worn to, or beyond the minimum service thickness.

Riding with worn brake pads may reduce braking efficiency, leading to loss of motorcycle control and an accident.

### Brake Pad Wear Compensation

Disc and brake pad wear is automatically compensated for and has no effect on the brake lever or pedal action. There are no parts that require adjustment on the front and rear brakes.

### Warning

If the brake lever or pedal feels soft when it is applied, or if the lever/pedal travel becomes excessive, there may be air in the brake lines and hoses or the brakes may be defective.

It is dangerous to operate the motorcycle under such conditions and your authorized Triumph dealer must rectify the fault before riding.

Riding with defective brakes may lead to loss of motorcycle control and an accident.

## Maintenance and Adjustment

### Disc Brake Fluid

Inspect the level of brake fluid in both reservoirs and change the brake fluid in accordance with scheduled maintenance requirements. Use only DOT 4 fluid as recommended in the Specification section. The brake fluid must also be changed if it becomes, or is suspected of having become contaminated with moisture or any other contaminants.

#### Warning

Brake fluid is hygroscopic which means it will absorb moisture from the air.

Any absorbed moisture will greatly reduce the boiling point of the brake fluid causing a reduction in braking efficiency.

Because of this, always replace brake fluid in accordance with scheduled maintenance requirements.

Always use new brake fluid from a sealed container and never use fluid from an unsealed container or from one which has been previously opened.

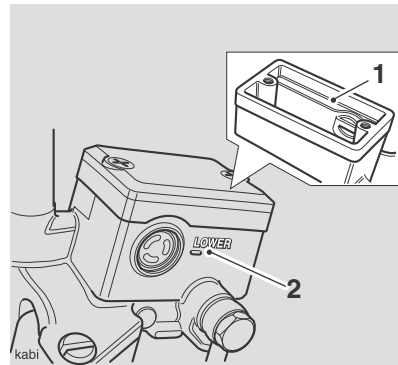
Do not mix different brands or grades of brake fluid.

Check for fluid leakage around brake fittings, seals and joints and also check the brake hoses for splits, deterioration and damage.

Always rectify any faults before riding.

Failure to observe and act upon any of these items may cause a dangerous riding condition leading to loss of control and an accident.

### Front Brake Fluid Level Inspection and Adjustment



#### 1. Front brake fluid reservoir, upper level line

#### 2. Lower level line

The brake fluid level in the reservoirs must be kept between the upper and lower level lines (reservoir held horizontal).

To inspect the fluid level, check the level of fluid visible in the window at the front of the reservoir body.

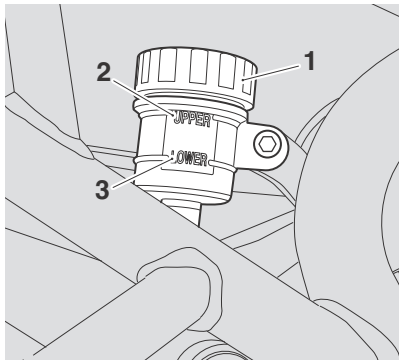
To adjust the fluid level, release the cap screws and detach the cover noting the position of the sealing diaphragm.

Fill the reservoir to the upper level line using new DOT 4 fluid from a sealed container.

Refit the cover, ensuring that the diaphragm seal is correctly positioned between the cap and reservoir body. Tighten the cap retaining screws to **14lb in (1.5 Nm)**.

## Maintenance and Adjustment

### Rear Brake Fluid Inspection and Adjustment



1. Rear brake fluid reservoir
2. Upper level line
3. Lower level line

To inspect the fluid level:

The reservoir is visible from the right hand side of the motorcycle, forward of the exhaust intermediate pipe, below the rider's seat.

To adjust the fluid level:

Remove the reservoir cap. Fill the reservoir to the upper level line using new DOT 4 fluid from a sealed container.

Refit the reservoir cap ensuring that the diaphragm seal is correctly fitted.

#### **Warning**

If there has been an appreciable drop in the level of the fluid in either fluid reservoir, consult your authorized Triumph dealer for advice before riding. Riding with depleted brake fluid levels, or with a brake fluid leak is dangerous and will cause reduced brake performance potentially leading to loss of motorcycle control and an accident.

#### **Brake Light Switches**

The brake light is activated independently by either the front or rear brake. If, with the ignition in the ON position, the brake light does not work when the front brake lever is pulled or the rear brake pedal is pressed, have your authorized Triumph dealer investigate and rectify the fault.

#### **Warning**

Riding the motorcycle with defective brake lights is illegal and dangerous.

An accident causing injury to the rider and other road users may result from use of a motorcycle with defective brake lights.



## Maintenance and Adjustment

### Steering/Wheel Bearings

#### Caution

To prevent risk of injury from the motorcycle falling during the inspection, ensure that the motorcycle is stabilized and secured on a suitable support. Do not exert extreme force against each wheel or rock each wheel vigorously as this may cause the motorcycle to become unstable and cause injury by falling from its support. Ensure that the position of the support block will not cause damage to the sump.

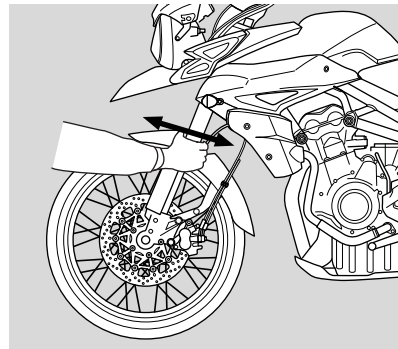
#### Steering Inspection

Lubricate and inspect the condition of the steering (steering head) bearings in accordance with scheduled maintenance requirements.

#### Note:

- **Always inspect the wheel bearings at the same time as the steering bearings.**

### Inspecting the Steering (Steering Head) Bearings for Free Play



Inspecting the Steering for Free Play

#### Inspection

Position the motorcycle on level ground, in an upright position.

Raise the front wheel above the ground and support the motorcycle.

Standing at the front of the motorcycle, hold the lower end of the front forks and try to move them forward and backward.

If any free play can be detected in the steering (steering head) bearings, ask your authorized Triumph dealer to inspect and rectify any faults before riding.

#### Warning

Riding the motorcycle with incorrectly adjusted or defective steering (steering head) bearings is dangerous and may cause loss of motorcycle control and an accident.

Remove the support and place the motorcycle on the side stand.

## Maintenance and Adjustment

---

### Wheel Bearings Inspection

If the wheel bearings in the front or rear wheel allow play in the wheel hub, are noisy, or if the wheel does not turn smoothly, have your authorized Triumph dealer inspect the wheel bearings.

The wheel bearings must be inspected at the intervals specified in the scheduled maintenance chart.

Position the motorcycle on level ground, in an upright position.

Raise the front wheel above the ground and support the motorcycle.

Standing at the side of the motorcycle, gently rock the top of the front wheel from side to side.

If any free play can be detected, ask your authorized Triumph dealer to inspect and rectify any faults before riding.

Reposition the lifting device and repeat the procedure for the rear wheel.

#### **Warning**

Operation with worn or damaged front or rear wheel bearings is dangerous and may cause impaired handling and instability leading to an accident. If in doubt, have the motorcycle inspected by an authorized Triumph dealer before riding.

Remove the support and place the motorcycle on the side stand.

### Front Suspension

#### Front Fork Inspection

Examine each fork for any sign of damage, scratching of the slider surface, or for oil leaks.

If any damage or leakage is found, consult an authorized Triumph dealer.

To check that the forks operate smoothly:

- Position the motorcycle on level ground.
- While holding the handlebars and applying the front brake, pump the forks up and down several times.
- If roughness or excessive stiffness is detected, consult your authorized Triumph dealer.

#### **Warning**

Riding the motorcycle with defective or damaged suspension is dangerous and may lead to loss of control and an accident.

#### **Warning**

Never attempt to dismantle any part of the suspension units, as all units contain pressurized oil. Skin and eye damage can result from contact with the pressurized oil.

## Maintenance and Adjustment

### Rear Suspension

#### Suspension Setting Chart - Tiger 800 only

Loading	Spring Pre-Load <sup>1</sup>
Solo Riding	30
Rider and Luggage	0
Rider and Passenger, or Rider, Passenger and Luggage	0

<sup>1</sup> Number of **clicks** counter-clockwise from the fully clockwise (hardest) position.

#### Suspension Setting Chart - Tiger 800XC only

Loading	Spring Pre-Load <sup>1</sup>	Rebound Damping <sup>2</sup>
Solo Riding	24	1.5
Rider and Luggage	0	1
Rider and Passenger, or Rider, Passenger and Luggage	0	0.5
Off-Road Use	0	0.5

<sup>1</sup> Number of **clicks** counter-clockwise from the fully clockwise (hardest) position.  
<sup>2</sup> Number of **turns** counter-clockwise from the fully clockwise (hardest) position.

The standard suspension settings provide a comfortable ride and good handling characteristics for general, solo riding. The charts above show suggested settings for the rear suspension.

An increase in spring pre-load requires firmer damping, a reduction in spring pre-load requires softer damping.

The damping must be adjusted to the road conditions and the spring pre-load.

**Warning**

Ensure that the correct balance between front and rear suspension is maintained. Suspension imbalance could significantly change handling characteristics leading to loss of control and an accident. Refer to the the front and rear suspension setting charts for further information or consult your dealer.

#### Note:

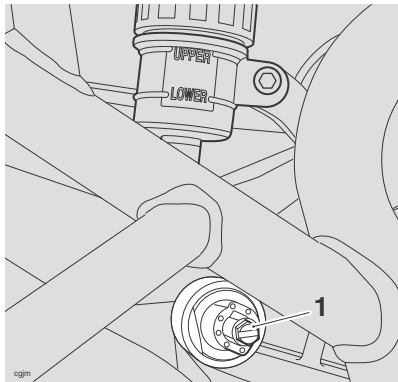
- **The Tiger 800 and the Tiger 800XC are delivered from the factory with the rear suspension set at the standard settings, as shown in the relevant suspension chart (see page 99).**
- **These charts are only a guide. Setting requirements may vary for rider weight and personal preferences. See the following pages for information regarding suspension adjustment.**

#### Rear Suspension Adjustment

The rear suspension unit on Tiger 800 is adjustable for spring pre-load. The rear suspension unit on Tiger 800XC is adjustable for spring pre-load and rebound damping.

## Maintenance and Adjustment

### Spring Pre-Load Adjustment



#### 1. Spring pre-load adjuster

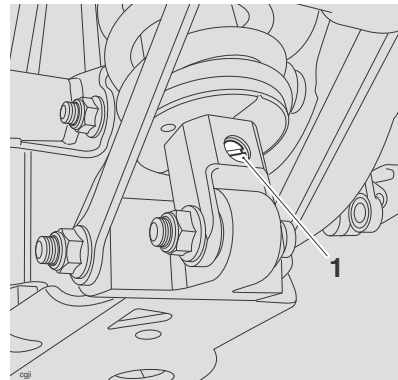
The spring pre-load adjuster is situated on the right hand side of the motorcycle, at the top of the rear suspension unit.

To adjust the spring pre-load setting rotate the slotted adjuster clockwise to increase, or counter-clockwise to decrease.

#### Note:

- The setting is measured as the number of adjuster 'clicks' counter-clockwise from the fully clockwise (hardest) position.
- The Tiger 800 is delivered from the factory with the spring pre-load set to 30 'clicks' counter-clockwise from the fully clockwise position.
- The Tiger 800XC is delivered from the factory with the spring pre-load set to 24 'clicks' counter-clockwise from the fully clockwise position.

### Rebound Damping Adjustment - Tiger 800XC models only



#### 1. Rebound damping adjuster

The rebound damping adjuster is located at the bottom of the rear suspension unit and is accessible from either side of the motorcycle.

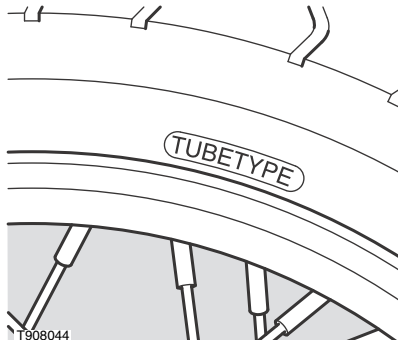
To adjust the rebound damping setting, rotate the slotted adjuster clockwise to increase, and counter-clockwise to decrease.

#### Note:

- The setting is measured as the number of adjuster turns counter-clockwise from the fully clockwise (hardest) position.
- The Tiger 800XC is delivered from the factory with the rebound adjuster set to 1.5 turns anti-clockwise from the fully clockwise position.

## Maintenance and Adjustment

### Tires



**Typical Tire Marking**

Tiger 800XC models are fitted with spoked wheels which require a tire suitable for use with an inner tube.

#### **Warning**

Failure to use an inner tube in a spoked wheel will cause deflation of the tire resulting in loss of motorcycle control and an accident.

Tiger 800 models are equipped with tubeless tires, valves and wheel rims. Use only tires marked 'TUBELESS' and tubeless valves on rims marked 'SUITABLE FOR TUBELESS TIRES'.

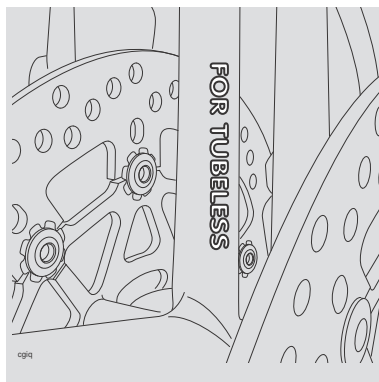
#### **Warning**

Do not install tube-type tires on tubeless rims. The bead will not seat and the tires could slip on the rims, causing rapid tire deflation that may result in a loss of vehicle control and an accident. Never install an inner tube inside a tubeless tire. This will cause friction inside the tire and the resulting heat build-up may cause the tube to burst resulting in rapid tire deflation, loss of vehicle control and an accident.

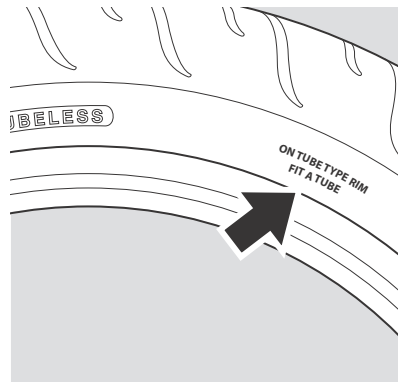


**Typical Tire Marking -  
Tubeless Tire**

## Maintenance and Adjustment



**Wheel Marking - Tubeless Wheel**



**Typical Tire Marking - Tubeless Tire Suitable For Use With An Inner Tube**

### **Warning**

Inner tubes must only be used on motorcycles fitted with spoked wheels and with tires marked 'TUBE TYPE'.

Some brands of approved tire marked 'TUBELESS' may be suitable for use with an inner tube. Where this is the case, the tire wall will be marked with text permitting the fitment of an inner tube (see illustration below).

Use of an inner tube with a tire marked 'TUBELESS', and NOT marked as suitable for use with an inner tube, or use of an inner tube on an alloy wheel marked 'SUITABLE FOR TUBELESS TIRES' will cause deflation of the tire resulting in loss of motorcycle control and an accident.

### **Tire Inflation Pressures**

Correct tire inflation pressures will provide maximum stability, rider comfort and tire life. Always check tire pressures before riding when the tires are cold. Check tire pressures daily and adjust if necessary (see Specification section for correct inflation pressures). Alternatively, ask your authorized Triumph dealer to inspect your wheels and tires.

## Maintenance and Adjustment

### Tire Pressure Monitoring System (if fitted)

The tire pressures shown on your instruments indicate the actual tire pressure at the time of selecting the display. This may differ from the inflation pressure set when the tires are cold because tires become warmer during riding, causing the air in the tire to expand and increase the inflation pressure. The cold inflation pressures specified by Triumph take account of this.

Owners must only adjust tire pressures when the tires are cold using an accurate pressure gauge, and must not use the tire pressure display on the instruments.

#### Warning

Incorrect tire inflation will cause abnormal tread wear and instability problems which may lead to loss of control and an accident. Under-inflation may result in the tire slipping on, or coming off the rim. Over-inflation will cause instability and accelerated tread wear. Both conditions are dangerous as they may cause loss of control leading to an accident.

#### Warning

Tire pressures which have been reduced for off-road riding will impair on-road stability. Always ensure the tire pressure are set as described in the Specification section for on-road use. Operation of the motorcycle with incorrect tire pressures may cause loss of motorcycle control leading to an accident.

### Tire Wear



As the tire tread wears down, the tire becomes more susceptible to punctures. It is estimated that 90% of all tire problems occur during the last 10% of tread life (90% worn). It is therefore not recommended to use tires until they are worn to their minimum.

### Minimum Recommended Tread Depth

In accordance with the periodic maintenance chart, measure the depth of the tread with a depth gauge, and replace any tire that has worn to, or beyond, the minimum allowable tread depth specified in the table below:

Under 130 km/h (80 mph)	0.08 in (2 mm)
Over 130 km/h (80 mph)	Rear 0.12 in (3 mm) Front 0.08 in (2 mm)

#### Warning

This motorcycle must not be operated above the legal road speed limit except in authorized closed-course conditions.

## Maintenance and Adjustment

---

### Warning

Only operate this Triumph motorcycle at high speed in closed-course on-road competition or on closed-course racetracks. High-speed operation should only then be attempted by riders who have been instructed in the techniques necessary for high-speed riding and are familiar with the motorcycle's characteristics in all conditions. High-speed operation in any other circumstances is dangerous and will lead to loss of motorcycle control and an accident.

### Warning

Operation with excessively worn tires is hazardous and will adversely affect traction, stability and handling which may lead to loss of control and an accident.

When tires become punctured, leakage is often very slow. Always inspect tires very closely for punctures. Check the tires for cuts, embedded nails or other sharp objects. Operation with punctured or damaged tires will adversely affect stability and handling which may lead to loss of control or an accident.

Check the rims for dents or deformation and spokes for looseness and damage. Operation with damaged or defective wheels, spokes or tires is dangerous and loss of control or an accident could result.

Always consult your authorized Triumph dealer for tire replacement, or for a safety inspection of the wheels, spokes and tires.

## Tire Replacement

### Warning

Inner tubes must only be used on motorcycles fitted with spoked wheels and with tires marked 'TUBE TYPE'.

Use of an inner tube with a tire marked 'TUBELESS' and/or on an alloy wheel can lead to loss of motorcycle control and an accident.

### Warning

Do not install tube-type tires on tubeless rims. The bead will not seat and the tires could slip on the rims, causing rapid tire deflation that may result in a loss of vehicle control and an accident. Never install an inner tube inside a tubeless tire. This will cause friction inside the tire and the resulting heat build-up may cause the tube to burst resulting in rapid tire deflation, loss of vehicle control and an accident.

#### Note:

- **Some brands of approved tire marked 'TUBELESS' may be suitable for use with an inner tube. Where this is the case, the tire wall will be marked with text permitting the fitment of an inner tube.**



## Maintenance and Adjustment

All Triumph motorcycles are carefully and extensively tested in a range of riding conditions to ensure that the most effective tire combinations are approved for use on each model. It is essential that approved tires and inner tubes (if installed) fitted in approved combinations, are used when purchasing replacement items. The use of non-approved tires and inner tubes, or approved tires and inner tubes in non-approved combinations, may lead to motorcycle instability, loss of control and an accident.

On models equipped with ABS, different wheel speeds, caused by non-approved tires, can affect the function of the ABS computer.

See the Specification section for details of approved tire and inner tube combinations. Always have tires and inner tubes fitted and balanced by your authorized Triumph dealer who has the necessary training and skills to ensure safe, effective fitment.

### **Tire Pressure Monitoring System (Only on models fitted with TPMS)**

#### **Caution**

An adhesive label is fitted to the wheel rim to indicate the position of the tire pressure sensor. Care must be taken when replacing the tires to prevent any damage to the tire pressure sensors. Always have your tires fitted by your authorized Triumph dealer and inform them that tire pressure sensors are fitted to the wheels.

#### **Caution**

Do not use anti puncture fluid or any other item likely to obstruct air flow to the TPMS sensor's orifices. Any blockage to the air pressure orifice of the TPMS sensor during operation will cause the sensor to become blocked, causing irreparable damage to the TPMS sensor assembly. Damage caused by the use of anti puncture fluid or incorrect maintenance is not considered a manufacturing defect and will not be covered under warranty. Always have your tires fitted by your authorised Triumph dealer and inform them that tire pressure sensors are fitted to the wheels.

#### **Warning**

If a tire or inner tube sustains a puncture, the tire and inner tube must be replaced. Failure to replace a punctured tire and inner tube, or operation with a repaired tire or inner tube can lead to instability, loss of motorcycle control or an accident.

#### **Warning**

If tire or inner tube damage is suspected, such as after striking the curb, ask your authorized Triumph dealer to inspect the tire both internally and externally and to also inspect the inner tube. Remember, tire damage may not always be visible from the outside. Operation of the motorcycle with damaged tires could lead to loss of control and an accident.

## Maintenance and Adjustment

---

### Warning

When replacement tires or inner tubes are required, consult your authorized Triumph dealer who will arrange for the tires and inner tubes to be selected, in a correct combination, from the approved list and fitted according to the tire and inner tube manufacturer's instructions.

When tires and inner tubes are replaced, allow time for the tires and inner tubes to seat to the rim (approximately 24 hours). During this seating period, ride cautiously as an incorrectly seated tire or inner tube could cause instability, loss of motorcycle control and an accident.

Initially, the new tires and inner tubes will not produce the same handling characteristics as the worn tires and inner tubes and the rider must allow adequate riding distance (approximately 100 miles) to become accustomed to the new handling characteristics.

24 hours after fitting, the tire pressures must be checked and adjusted, and the tires and inner tubes examined for correct seating. Rectification must be carried out as necessary.

The same checks and adjustments must also be carried out when 100 miles have been travelled after fitting.

Use of a motorcycle with incorrectly seated tires or inner tubes, incorrectly adjusted tire pressures, or when not accustomed to its handling characteristics may lead to loss of motorcycle control and an accident.

### Warning

Tires and inner tubes that have been used on a rolling road dynamometer may become damaged. In some cases, the damage may not be visible on the external surface of the tire.

Tires and inner tubes must be replaced after such use as continued use of a damaged tire or inner tube may lead to instability, loss of motorcycle control and an accident.

### Warning

Accurate wheel balance is necessary for safe, stable handling of the motorcycle. Do not remove or change any wheel balance weights. Incorrect wheel balance may cause instability leading to loss of control and an accident.

When wheel balancing is required, such as after tire or inner tube replacement, see your authorized Triumph dealer.

Only use self-adhesive weights. Clip on weights may damage the wheel, tire or inner tube resulting in tire deflation, loss of motorcycle control and an accident.

## Maintenance and Adjustment

### Battery

#### Warning

Under some circumstances, the battery can give off explosive gases; keep sparks, flames and cigarettes away. Provide adequate ventilation when charging or using the battery in an enclosed space.

The battery contains sulphuric acid (battery acid). Contact with skin or eyes may cause severe burns. Wear protective clothing and a face shield.

If battery acid gets on your skin, flush with water immediately.

If battery acid gets in your eyes, flush with water for at least 15 minutes and SEEK MEDICAL ATTENTION IMMEDIATELY.

If battery acid is swallowed, drink large quantities of water and SEEK MEDICAL ATTENTION IMMEDIATELY.

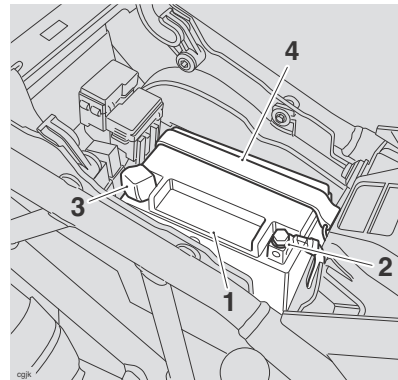
KEEP BATTERY ACID OUT OF THE REACH OF CHILDREN.

#### Warning

The battery contains harmful materials. Always keep children away from the battery whether or not it is fitted in the motorcycle.

Do not attach jump leads to the battery, touch the battery cables together or reverse the polarity of the cables as any of these actions may cause a spark which would ignite battery gases causing a risk of personal injury.

### Battery Removal



1. **Battery**
2. **Negative (black) terminal**
3. **Positive (red) terminal**
4. **Battery strap**

Remove the rider's seat.

Remove the battery strap.

Disconnect the battery leads, negative (black) lead first.

Take the battery out of the case.

#### Warning

Ensure that the battery terminals do not touch the motorcycle frame as this may cause a short circuit or spark, which would ignite battery gases causing a risk of personal injury.

## Maintenance and Adjustment

---

### Battery Disposal

Should the battery ever require replacement, the original battery must be handed to a recycling agent who will ensure that the dangerous substances from which the battery is manufactured do not pollute the environment.

### Battery Maintenance

Clean the battery using a clean, dry cloth. Be sure that the cable connections are clean.

#### Warning

The battery acid is corrosive and poisonous and will cause damage to unprotected skin. Never swallow battery acid or allow it to come into contact with the skin. To prevent injury, always wear eye and skin protection when handling the battery.

The battery is a sealed type and does not require any maintenance other than checking the Voltage and routine recharging when required, such as during storage.

It is not possible to adjust the battery acid level in the battery; the sealing strip must not be removed.

### Battery Discharge

#### Caution

The charge level in the battery must be maintained to maximise battery life.  
Failure to maintain the battery charge level could cause serious internal damage to the battery.

Under normal conditions, the motorcycle charging system will keep the battery fully charged. However, if the motorcycle is unused, the battery will gradually discharge due to a normal process called self discharge; the clock, engine control module (ECM) memory, high ambient temperatures, or the addition of electrical security systems or other electrical accessories will all increase this rate of battery discharge. Disconnecting the battery from the motorcycle during storage will reduce the rate of discharge.

### Battery Maintenance During Storage and Infrequent Use of the Motorcycle

During storage or infrequent use of the motorcycle, inspect the battery Voltage weekly using a digital multimeter. Follow the manufacturer's instructions supplied with the meter.

Should the battery Voltage fall below 12.7 Volts, the battery should be charged (see page 109).

Allowing a battery to discharge or leaving it discharged for even a short period of time causes sulphation of the lead plates. Sulphation is a normal part of the chemical reaction inside the battery, however over time the sulphate can crystallise on the plates making recovery difficult or impossible. This permanent damage is not covered by the motorcycle warranty, as it is not due to a manufacturing defect.

Keeping the battery fully charged reduces the likelihood of it freezing in cold conditions. Allowing a battery to freeze will cause serious internal damage to the battery.

## Maintenance and Adjustment

---

### Battery Charging

For help with selecting a battery charger, checking the battery Voltage or battery charging, contact your local authorized Triumph dealer.

#### **Warning**

The battery gives off explosive gases; keep sparks, flames and cigarettes away. Provide adequate ventilation when charging or using the battery in an enclosed space.

The battery contains sulphuric acid (battery acid). Contact with skin or eyes may cause severe burns. Wear protective clothing and a face shield.

If battery acid gets on your skin, flush with water immediately.

If battery acid gets in your eyes, flush with water for at least 15 minutes and SEEK MEDICAL ATTENTION IMMEDIATELY.

If battery acid is swallowed, drink large quantities of water and SEEK MEDICAL ATTENTION IMMEDIATELY.

KEEP BATTERY ACID OUT OF THE REACH OF CHILDREN.

#### **Caution**

Do not use an automotive quick charger as it may overcharge and damage the battery.

Should the battery Voltage fall below 12.7 Volts, the battery should be charged using a Triumph approved battery charger. Always follow the instructions supplied with the battery charger.

For extended periods of storage (beyond two weeks) the battery should be removed from the motorcycle and kept charged using a Triumph approved maintenance charger.

Similarly, should the battery charge fall to a level where it will not start the motorcycle, remove the battery from the motorcycle before charging.

## Maintenance and Adjustment

---

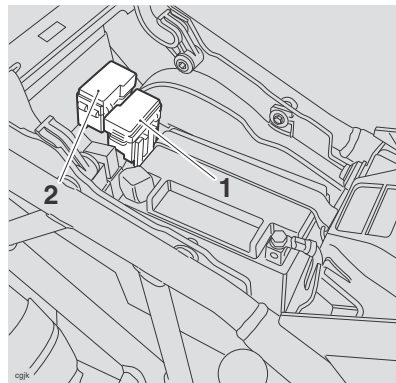
### Battery Installation

#### **Warning**

Ensure that the battery terminals do not touch the motorcycle frame as this may cause a short circuit or spark, which would ignite battery gases causing a risk of personal injury.

- Place the battery in the battery case.
- Reconnect the battery, positive (red) lead first.
- Apply a light coat of grease to the terminals to prevent corrosion.
- Cover the positive terminal with the protective cap.
- Refit the battery strap.
- Refit the rider's seat.

### Fuse Boxes



- 1. Front fuse box**
- 2. Rear fuse box**

The fuse boxes are located beneath the rider's seat.

To allow access to the fuse boxes, the rider's seat must be removed.

#### **Warning**

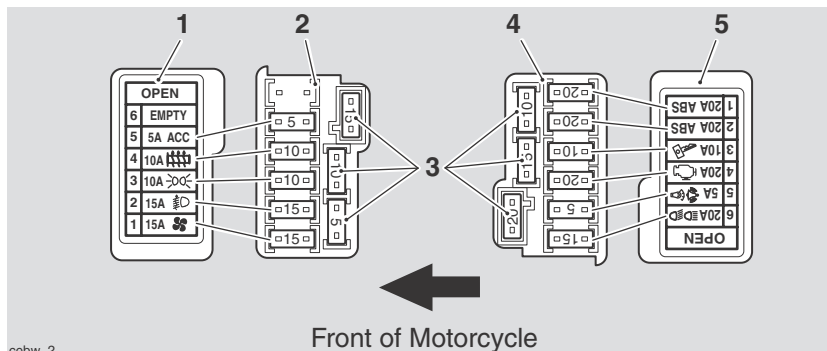
Always replace blown fuses with new ones of the correct rating (as specified on the fuse box cover) and never use a fuse of higher rating. Use of an incorrect fuse could lead to an electrical problem, resulting in motorcycle damage, loss of motorcycle control and an accident.

## Maintenance and Adjustment

### Fuse Identification

A blown fuse is indicated when all of the systems protected by that fuse become inoperative. When checking for a blown fuse, use the tables to establish which fuse has blown.

The fuse identification numbers listed in the tables correspond with those printed on the fuse box covers, as shown below. Spare fuses are located at right angles to the main fuses and should be replaced if used.



cahuw\_2

1. Front fuse box cover
2. Front fuse box
3. Spare fuses

4. Rear fuse box
5. Rear fuse box cover

#### Front fuse box

Circuit Protected	Position	Rating (Amps)
Cooling fan	1	15
Accessory lights	2	15
Auxiliary lighting	3	10
Heated Grips	4	10
Accessory sockets	5	15
Not used	6	-

#### Rear fuse box

Circuit Protected	Position	Rating (Amps)
ABS	1	20
ABS	2	20
Alarm, instruments, ECM	3	10
Engine management	4	20
Alarm, diagnostic connector, instruments	5	5
Dip and main beam headlights, starter relay	6	20

#### Note:

- The starter solenoid has an additional 30 Amp fuse, attached directly to the solenoid, beneath the rider's seat.

## Maintenance and Adjustment

---

### Headlights

#### Headlights

 **Warning**

Adjust road speed to suit the visibility and weather conditions in which the motorcycle is being operated.

Ensure that the beams are adjusted to illuminate the road surface sufficiently far ahead without blinding oncoming traffic. An incorrectly adjusted headlight may impair visibility causing an accident.

 **Warning**

Never attempt to adjust a headlight beam when the motorcycle is in motion.

Any attempt to adjust a headlight beam when the motorcycle is in motion may result in loss of control and an accident.

 **Caution**

Do not cover the headlight or lens with any item likely to obstruct air flow to, or prevent heat escaping from, the headlight lens.

Covering the headlight lens during operation with items of clothing, luggage, adhesive tape, devices intended to alter or adjust the headlight beam or non genuine headlight lens covers will cause the headlight lens to overheat and distort, causing irreparable damage to the headlight assembly.

Damage caused by overheating is not considered a manufacturing defect and will not be covered under warranty.

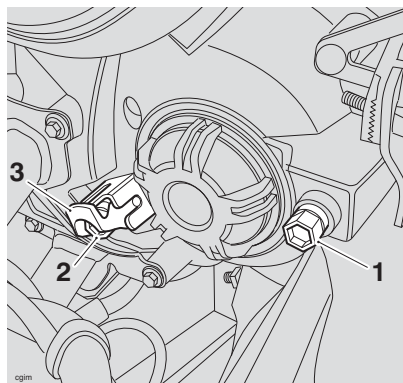
If the headlight must be covered during use – such as taping of the headlight lens required during closed-course conditions – the headlight must be disconnected.



## Maintenance and Adjustment

### Headlight Adjustment

Each headlight can be adjusted by means of vertical and horizontal adjustment screws located on the rear of each headlight. In addition, the headlight is equipped with an easily accessible adjuster to allow the vertical adjustment to be corrected when the motorcycle is fully loaded.



- 1. Horizontal (LEFT - RIGHT) adjustment screw**
- 2. Vertical (UP - DOWN) adjustment screw**
- 3. Headlight adjuster lever for loaded conditions**

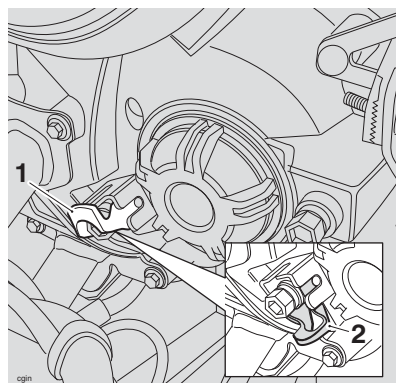
Switch the headlight dipped beam on.

Turn the vertical (UP - DOWN) adjustment screw on the headlight clockwise to raise the beam or counter-clockwise to lower the beam.

Turn the horizontal (LEFT - RIGHT) adjustment screw clockwise to move the beam to the right or counter-clockwise to move the beam to the left.

Switch the headlights off when the beam settings are satisfactory.

### Headlight adjuster lever for loaded conditions



- 1. Headlight adjuster lever (unloaded position)**
- 2. Headlight adjuster lever (loaded position)**

For normal (unloaded) conditions the headlight adjuster lever should be set in the horizontal position (1).

For loaded conditions rotate the headlight adjuster downwards until it stops (2). This will lower the headlight beams by approximately 2°.

## Maintenance and Adjustment

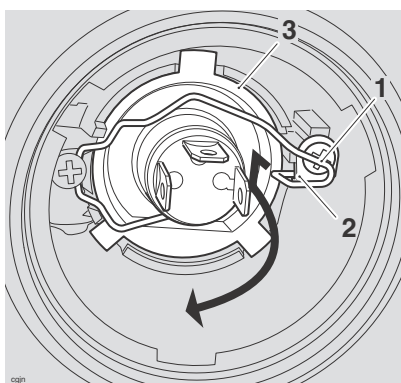
### Headlight Bulb Replacement

#### **Caution**

The use of non-approved headlight bulbs may result in damage to the headlight lens. Use a genuine Triumph supplied headlight bulb as specified in the Triumph Parts Catalogue.

Always have replacement headlight bulbs installed by an authorized Triumph dealer.

It is not necessary to remove the headlight when bulb replacement becomes necessary.



1. Bulb retainer (right hand shown)
2. Bulb retainer hook
3. Bulb

#### **Warning**

The bulbs become hot during use. Always allow sufficient time for the bulb to cool before handling. Avoid touching the glass part of the bulb. If the glass is touched or gets dirty, clean with alcohol before reuse.

To replace a bulb:

Remove the rider's seat.

Disconnect the battery, negative (black) lead first.

Remove the bulb cover from the bulb to be replaced by rotating it counter-clockwise.

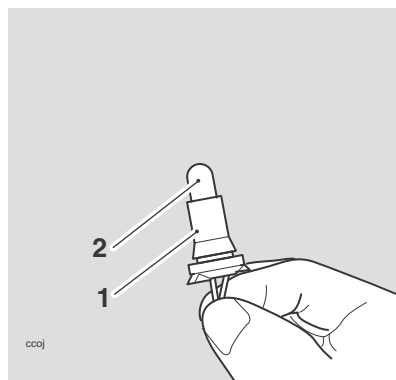
Disconnect the multi-plug from the bulb.

Detach the bulb retainer from the hook on the headlight assembly and rotate it away from the bulb as shown.

Remove the bulb from the bulb retainer.

Installation is the reverse of the removal procedure.

### Position Lamp Bulb Replacement



1. Bulb holder
2. Position lamp bulb

The position lamp is fitted to the center of the headlight. To replace the bulb, remove the four fasteners and remove the headlight surround, detach the rubber retainer from the headlight and pull out the bulb.

Installation is the reverse of the removal procedure.

## Maintenance and Adjustment

---

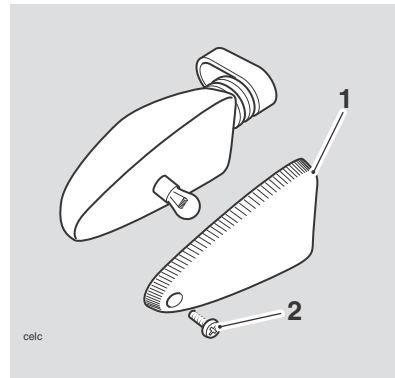
### Brake/tail Light/License Plate Light

#### Brake/tail Light/License Plate Light Replacement

The brake/tail light unit is a sealed, maintenance free LED unit. The license plate light is integral to the brake/tail light unit.

### Turn Signal Lights

#### Bulb Replacement



1. Turn signal lens

2. Securing screw

The lens on each turn signal light is held in place by a securing screw located in the lens of the light.

Release the screw and remove the lens to gain access to the bulb for replacement.

## Maintenance and Adjustment

### Bank angle Indicators

#### Warning

Use of a motorcycle with bank angle indicators worn beyond the maximum limit (as described below) will allow the motorcycle to be banked to an unsafe angle.

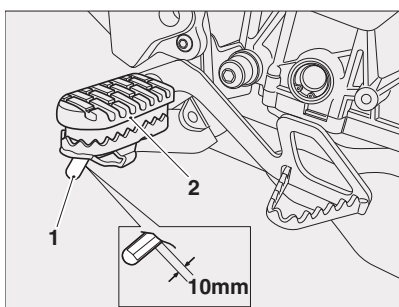
Banking to an unsafe angle may cause instability, loss of motorcycle control and an accident causing injury or death.

Bank angle indicators are located on the riders footrests.

Regularly check the bank angle indicators for wear.

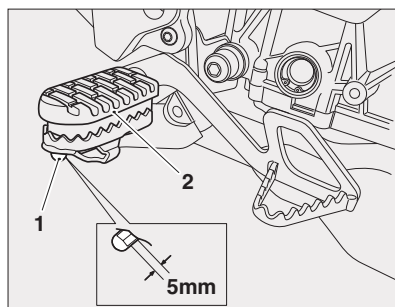
Use of a motorcycle with bank angle indicators worn beyond the maximum limit when 0.40 in (10 mm) of the bank indicator remains (Tiger 800) or when 0.20 in (5 mm) of the bank indicator remains (Tiger 800XC) will allow the motorcycle to be banked to an unsafe angle.

Banking to an unsafe angle may cause instability, loss of motorcycle control and an accident.



1. Bank angle indicator (Tiger 800)

### 2. Footrest



1. Bank angle indicator (Tiger 800 XC)

2. Footrest

## Maintenance and Adjustment

---

### Cleaning

Frequent, regular cleaning is an essential part of the maintenance of your motorcycle. If regularly cleaned, the appearance will be preserved for many years. Cleaning with cold water containing an automotive cleaner is essential at all times but particularly so after exposure to sea breezes, sea water, dusty or muddy roads and in winter when roads are treated for ice and snow. Do not use household detergent, as the use of such products will lead to premature corrosion.

Although, under the terms of your motorcycle warranty, cover is provided against the corrosion of certain items, the owner is expected to observe this reasonable advice which will safeguard against corrosion and enhance the appearance of the motorcycle.

### Care of Matt Paintwork

Matt paintwork requires no greater care than that already recommended for high gloss paintwork.

- Do not use any polish or wax on components;
- Do not try and polish out scratches.

### Preparation for Washing

Before washing, precautions must be taken to keep water off the following places.

Rear opening of the exhausts: Cover with a plastic bag secured with rubber bands.

Clutch and brake levers, switch housings on the handlebar: Cover with plastic bags.

Ignition switch and steering lock: Cover the keyhole with tape.

Remove any items of jewellery such as rings, watches, zips or belt buckles, which may scratch or otherwise damage painted or polished surfaces.

Use separate cleaning sponges or cleaning cloths for washing painted/polished surfaces and chassis areas. Chassis areas (such as wheels and under fenders) will be exposed to more abrasive road grime and dust, which may then scratch painted or polished surfaces, if the same sponge or cleaning cloths are used.

## Maintenance and Adjustment

---

### Where to be Careful

Avoid spraying water with any great force near the following places:

- Instruments;
- Brake cylinders and brake calipers;
- Under the fuel tank;
- Steering head bearings;
- Air intake duct under the rider's seat.

#### Caution

Any water sprayed around the air intake duct could enter the airbox and engine, causing damage to both items.

#### Caution

Use of high-pressure spray washers is not recommended. When using pressure washers, water may be forced into bearings and other components causing premature wear from corrosion and loss of lubrication.

#### Note:

- **Use of soaps that are highly alkaline will leave a residue on painted surfaces, and may also cause water spotting. Always use a low alkaline soap to aid the cleaning process.**

### After Washing

Remove the plastic bags and tape, and clear the air intakes.

Lubricate the pivots, bolts and nuts.

Test the brakes before motorcycle operation.

Start the engine and run it for 5 minutes. Ensure adequate ventilation for the exhaust fumes.

Use a dry cloth to absorb water residue. Do not allow water to stand on the machine as this will lead to corrosion.

#### Warning

Never wax or lubricate the brake discs. Loss of braking power and an accident could result. Clean the disc with a proprietary brand of oil-free brake disc cleaner.

### Seat Care

#### Caution

Use of chemicals or high-pressure spray washers is not recommended for cleaning the seat. Using chemicals or pressure washers may damage the seat cover.

To help maintain its appearance, clean the seat using a sponge or cleaning cloth with soap and water.

## Maintenance and Adjustment

---

### Unpainted Aluminum Items

Items such as brake and clutch levers, wheels, engine covers, top and bottom yokes on some models must be correctly cleaned to preserve their appearance. Please contact your dealer if you are unsure which components on your motorcycle are unpainted aluminum parts.

Use a proprietary brand of aluminum cleaner which does not contain abrasive or caustic elements.

Clean aluminum items regularly, in particular after use in inclement weather, where the components must be hand washed and dried each time the machine is used.

Warranty claims due to inadequate maintenance will not be allowed.

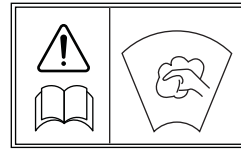
### Cleaning of the Exhaust System

All parts of the exhaust system of your motorcycle must be cleaned regularly to avoid a deterioration of its appearance.


#### Note:

- **The exhaust system must be cool before washing to prevent water spotting.**

### Windshield Cleaning



Clean the windshield with a solution of mild soap or detergent and lukewarm water. After cleaning, rinse well and then dry with a soft, lint free cloth.

 <b>Caution</b>	
Products such as window cleaning fluids, insect remover, rain repellent, scouring compounds, gasoline or strong solvents such as alcohol, acetone, carbon tetrachloride, etc. will damage the windshield. Never allow these products to contact the screen.	

If the transparency of the windshield is reduced by scratches or oxidation which cannot be removed, the windshield must be replaced.

## Maintenance and Adjustment

---

### **Warning**

Never attempt to clean the windshield while the motorcycle is in motion as releasing the handlebars may cause loss of vehicle control and an accident.

Operation of the motorcycle with a damaged or scratched windshield will reduce the rider's forward vision. Any such reduction in forward vision is dangerous and may lead to an accident causing injury or death.

### **Caution**

Corrosive chemicals such as battery acid will damage the windshield. Never allow corrosive chemicals to contact the windshield.

### **Washing**

Prepare a mixture of cold water and mild automotive cleaner. Do not use a highly alkaline soap as commonly found at commercial car washes because it leaves a residue.

Wash the exhaust system with a soft cloth. Do not use an abrasive scouring pad or steel wool. They will damage the finish.

Rinse the exhaust system thoroughly.

Ensure no soap or water enters the mufflers.

### **Drying**

Dry the exhaust system as far as possible with a soft cloth. Do not run the engine to dry the system or spotting will occur.

### **Protecting**

When the exhaust system is dry, rub 'Motorex 645 Clean and Protect' into the surface.

### **Caution**

The use of abrasive cleaners and polishes will damage the system and must not be used.

It is recommended that regular protection be applied to the system as this will both protect and enhance the system's appearance.



## Maintenance and Adjustment

---

### Care of Leather products

We recommend that you periodically clean your leather products with a damp cloth and allow them to dry naturally at room temperature. This will maintain the appearance of the leather and ensure the long life of your product.

Your Triumph leather product is a natural product and lack of care can result in damage and permanent wear. Follow these simple instructions and give your leather product the respect it deserves:

- Do not use household cleaning products, bleach, detergents containing bleach or any kind of solvent to clean your leather product.
- Do not immerse your leather product in water.
- Avoid direct heat from fires and radiators which can dry out and distort the leather.
- Do not leave your leather product in direct sunlight for prolonged periods of time.
- Do not dry your leather product by applying direct heat to it at any time.

- If your leather product does get wet, absorb any excess water with a soft clean cloth then leave the product to dry naturally at room temperature.
- Avoid exposure of your leather product to high levels of salt, for example sea/salt water or road surfaces that have been treated during the winter for ice and snow.
- If exposure to salt is unavoidable, clean your leather product immediately after each exposure using a damp cloth then leave the product to dry naturally at room temperature.
- Gently clean any minor marks with a damp cloth then leave the product to dry naturally at room temperature.

Place your leather product in a fabric bag or cardboard box to protect it when in storage. Do not use a plastic bag.

## Maintenance and Adjustment

---


This page intentionally left blank

### STORAGE

#### Preparation for Storage

Clean and dry the entire vehicle thoroughly.

Fill the fuel tank with the correct grade of unleaded fuel and add a fuel stabilizer (if available), following the fuel stabilizer manufacturer's instructions.

 <b>Warning</b>
Gasoline is extremely flammable and can be explosive under certain conditions. Turn the ignition switch off. Do not smoke. Make sure the area is well ventilated and free from any source of flame or sparks; this includes any appliance with a pilot light.

Remove the spark plug from each cylinder and put several drops (0.05fl oz or 5 ml) of engine oil into each cylinder. Cover the spark plug holes with a piece of cloth or rag. With the engine stop switch in the RUN position, push the starter button for a few seconds to coat the cylinder walls with oil. Install the spark plugs, tightening to **9 lb ft (12 Nm)**.

Change the engine oil and filter (see page [81](#)).

Check and if necessary correct the tire pressures (see page [129](#)).

Set the motorcycle on a stand so that both wheels are raised off the ground. (If this cannot be done, put boards under the front and rear wheels to keep dampness away from the tires.)

Spray rust inhibiting oil (there are a host of products on the market and your dealer will be able to offer you local advice) on all unpainted metal surfaces to prevent rusting. Prevent oil from getting on rubber parts, brake discs or in the brake calipers.

Lubricate and if necessary adjust the drive chain (see page [90](#)).

Make sure the cooling system is filled with a 50% mixture of coolant (noting that HD4X Hybrid OAT coolant, as supplied by Triumph, is pre-mixed and requires no dilution) and distilled water solution (see page [83](#)).

Remove the battery, and store it where it will not be exposed to direct sunlight, moisture, or freezing temperatures. During storage it should be given a slow charge (one ampere or less) about once every two weeks (see page [107](#)).

Store the motorcycle in a cool, dry area, away from sunlight, and with a minimum daily temperature variation.

Put a suitable porous cover over the motorcycle to keep dust and dirt from collecting on it. Avoid using plastic or similar non-breathable, coated materials that restrict air flow and allow heat and moisture to accumulate.

## Storage

---

### Preparation after Storage

Install the battery (if removed) (see page [110](#)).

If the motorcycle has been stored for more than four months, change the engine oil (see page [81](#)).

Check all the points listed in the Daily Safety Checks section.

Before starting the engine, remove the spark plugs from each cylinder.

Put the side stand down.

Crank the engine on the starter motor several times until the oil pressure light goes out.

Re-install the spark plugs, tightening to **9 lb ft (12 Nm)**, and start the engine.

Check and if necessary correct the tire pressures (see page [129](#)).

Clean the entire vehicle thoroughly.

Check the brakes for correct operation.

Test ride the motorcycle at low speeds.

## Specifications

### SPECIFICATIONS

	<b>Tiger 800</b>	<b>Tiger 800XC</b>
<b>Dimensions</b>		
Overall Length .....	87.2 in (2215 mm)	87.2 in (2215 mm)
Overall Width .....	31.3 in (795 mm)	34.1 in (865 mm)
Overall Height .....	53.1 in (1350 mm)	54.7 in (1390 mm)
Wheelbase .....	60.2 in (1530 mm)	60.8 in (1545 mm)
Seat Height .....	32.0 in (813 mm)	33.3 in (847 mm)
<b>Weights</b>		
Wet Weight .....	463 lb (210 kg)	474 lb (215 kg)
Maximum Payload .....	225 kg (496 lb)	492 lb (223 kg)
<b>Engine</b>		
Type .....	In-line 3 cylinder	In-line 3 cylinder
Displacement .....	48.8 cu in (800 cc)	48.8 cu in (800 cc)
Bore x Stroke .....	2.91 x 2.44 in (74 x 61.94 mm)	2.91 x 2.44 in (74 x 61.94 mm)
Compression Ratio .....	11.1:1	11.1:1
Cylinder Numbering .....	Left to Right	Left to Right
Cylinder Sequence .....	1 at left	1 at left
Firing Order .....	1-2-3	1-2-3
Starting System .....	Electric Starter	Electric Starter

## Specifications

---

	<b>Tiger 800</b>	<b>Tiger 800XC</b>
<b>Performance</b>		
Maximum Power (95/1/EC) . . . . .	70 kW at 9,300 rpm (95 PS/94 bhp)	70 kW at 9,300 rpm (95 PS/94 bhp)
Maximum Torque . . . . .	58 lb-ft at 7,850 rpm (79 Nm)	58 lb-ft at 7,850 rpm (79 Nm)
<b>Lubrication</b>		
Lubrication . . . . .	Pressure Lubrication (wet sump)	Pressure Lubrication (wet sump)
<b>Engine Oil Capacities</b>		
Dry Fill . . . . .	1.08 US gal (4.1 liters)	1.08 US gal (4.1 liters)
Oil/Filter Change . . . . .	0.95 US gal (3.6 liters)	0.95 US gal (3.6 liters)
Oil Change Only . . . . .	0.9 US gal (3.4 liters)	0.9 US gal (3.4 liters)
<b>Cooling</b>		
Coolant Type . . . . .	Triumph HD4X Hybrid OAT coolant	Triumph HD4X Hybrid OAT coolant
Water/Anti-freeze ratio . . . . .	50/50 (premixed as supplied by Triumph)	50/50 (premixed as supplied by Triumph)
Coolant Capacity . . . . .	0.63 US gal (2.4 liters)	0.63 US gal (2.4 liters)
Thermostat Opens (nominal) . . . . .	160°F (71°C)	160°F (71°C)

## Specifications

	<b>Tiger 800</b>	<b>Tiger 800XC</b>
<b>Fuel System</b>		
Type.....	Electronic Fuel Injection	Electronic Fuel Injection
Injectors.....	Solenoid Operated	Solenoid Operated
Fuel Pump.....	Submerged Electric	Submerged Electric
Fuel Pressure (nominal).....	43.5 PSI (3 bar)	43.5 PSI (3 bar)
<b>Fuel</b>		
Type.....	87 RON/MON (91 RON) unleaded	87 RON/MON (91 RON) unleaded
Tank Capacity (motorcycle upright).....	5.02 US gal (19.0 liters)	5.02 US gal (19.0 liters)
<b>Ignition</b>		
Ignition System.....	Digital Inductive	Digital Inductive
Electronic Rev Limiter (r/min).....	10,000 (r/min)	10,000 (r/min)
Spark Plug.....	NGK CR9EK	NGK CR9EK
Spark Plug Gap.....	0.026 in (0.7 mm)	0.026 in (0.7 mm)
Gap Tolerance.....	+0.001/-0.002 in (+0.05/-0.1 mm)	+0.001/-0.002 in (+0.05/-0.1 mm)

## Specifications

---

	<b>Tiger 800</b>	<b>Tiger 800XC</b>
<b>Transmission</b>		
Transmission Type.....	6 Speed, Constant Mesh	6 Speed, Constant Mesh
Clutch Type.....	Wet, Multi-Plate	Wet, Multi-Plate
Final Drive Chain (All markets except Brazil)	DID O-ring, 122 link	DID O-ring, 124 link
Final Drive Chain (Brazil only).....	DID O-ring, 122 link	DID O-ring, 122 link
Primary Drive Ratio.....	1.667:1 (85/51)	1.667:1 (85/51)
Gear Ratios:		
Final Drive Ratio.....	3.125:1 (50/16)	3.125:1 (50/16)
1 <sup>st</sup> .....	2.313:1 (37/16)	2.313:1 (37/16)
2 <sup>nd</sup> .....	1.857:1 (39/21)	1.857:1 (39/21)
3 <sup>rd</sup> .....	1.500:1 (36/24)	1.500:1 (36/24)
4 <sup>th</sup> .....	1.285:1 (27/21)	1.285:1 (27/21)
5 <sup>th</sup> .....	1.136:1 (25/22)	1.136:1 (25/22)
6 <sup>th</sup> .....	1.043:1 (24/23)	1.043:1 (24/23)



## Specifications

	Tiger 800	Tiger 800XC
<b>Tires</b>		
Triumph Recommended Tire Sizes:		
Front Size .....	100/90 - 19 M/C 57V	90/90 - 21 MC/54V
Rear Size .....	150/70 R 17 M/C 69V	150/70 R 17 M/C 69V
On-Road Tire Pressures (Cold):		
Front .....	36 lb/in <sup>2</sup> (2.5 bar)	36 lb/in <sup>2</sup> (2.5 bar)
Rear .....	42 lb/in <sup>2</sup> (2.9 bar)	42 lb/in <sup>2</sup> (2.9 bar)

### **Warning**

Use the recommended tires **ONLY** in the combinations given. Do not mix tires from different manufacturers or mix different specification tires from the same manufacturers as this may result in loss of motorcycle control and an accident.

	Tiger 800	Tiger 800XC
<b>Approved Road Tires:</b>		
Option 1, Front .....	Pirelli Scorpion Trail Standard specification	Pirelli Scorpion Trail Standard specification
Option 1, Rear .....	Pirelli Scorpion Trail Standard specification	Pirelli Scorpion Trail Standard specification
Option 2, Front .....	Metzeler Tourance EXP Standard specification	Bridgestone Battle Wing BW501 G
Option 2, Rear .....	Metzeler Tourance EXP Standard specification	Bridgestone Battle Wing BW502

## Specifications

---

### **Warning**

The use of dual purpose tires will result in reduced motorcycle stability. Always operate a motorcycle equipped with dual purpose tires at reduced speeds. The permissible maximum speed (as shown below) must be indicated by a sticker, positioned so that it is clearly visible to the rider. Operation of the motorcycle above the permissible maximum speed may result in loss of motorcycle control and an accident.

#### **Tiger 800XC Only**

#### **Approved Dual Purpose Tires (for off-road and on-road use)\*‡**

Option 2, Front	Metzeler MCE Karoo 2 (T)
Option 2, Rear	Metzeler MCE Karoo (T)

\*The permissible maximum speed for dual purpose tires is 60 mph (96 kmh).

‡Dual purpose tires (approved by Triumph for off road and on road use in some countries only).

### **Warning**

Tire pressures which have been reduced for off-road riding will impair on-road stability. Always ensure the tire pressures are set as described on page 129 for on-road use. Operation of the motorcycle with incorrect tire pressures may cause loss of motorcycle control leading to an accident.

#### **Tiger 800XC Only**

#### Off-Road Tire Pressures (Cold):

Front	1.5 bar (22 lb/in <sup>2</sup> )
Rear	1.5 bar (22 lb/in <sup>2</sup> )

## Specifications

---

	<b>Tiger 800</b>	<b>Tiger 800XC</b>
<b>Electrical Equipment</b>		
Battery Type . . . . .	YTX-16BS	YTX-16BS
Battery Rating . . . . .	12 Volt, 14 Ah	12 Volt, 14 Ah
Alternator . . . . .	12 Volt, 34 Amp at 4,000 rpm	12 Volt, 34 Amp at 4,000 rpm
Headlight . . . . .	2 x 12 Volt, 55/60 watt, H4 Halogen	2 x 12 Volt, 55/60 watt, H4 Halogen
Tail/Brake Light . . . . .	LED	LED
Directional Indicator Lights . . . . .	12 Volt, 10 watt	12 Volt, 10 watt
<b>Frame</b>		
Rake . . . . .	23.9°	24.3°
Trail . . . . .	3.64 in (92.4 mm)	3.75 in (95.3 mm)

## Specifications

---

### All Models

#### Tightening Torques

Oil Filter .....	7 lb ft (10 Nm)
Oil Drain Plug .....	18 lb ft (25 Nm)
Spark Plug .....	9 lb ft (12 Nm)
Rear Wheel Spindle .....	81 lb ft (110 Nm)
Chain Adjuster Locknut .....	11 lb ft (15 Nm)

#### Fluids and Lubricants

Engine Oil .....	Semi or fully synthetic 10W/40 or 10W/50 motorcycle engine oil which meets specification API SH (or higher) <b>and</b> JASO MA, such as Castrol Power 1 Racing 4T 10W-40 (fully synthetic)
Brake and Clutch Fluid .....	DOT 4 Brake and Clutch Fluid
Coolant .....	Triumph HD4X Hybrid OAT coolant
Bearings and Pivots .....	Grease to NLGI 2 specification
Drive Chain .....	Chain spray suitable for O-ring chains

**INDEX**

**A**

Accessories ..... 69

**B**

Bank angle Indicators ..... 13, 116

Battery ..... 107

Charging ..... 109

Disposal ..... 108

Installation ..... 110

Maintenance ..... 108

Removal ..... 107

Brake Light/tail Light ..... 115

Brakes ..... 93

Brake and Clutch Lever Adjusters ... 41

Braking ..... 61

Disc Brake Fluid ..... 95

Light Switches ..... 96

Pad Wear Compensation ..... 94

Wear Inspection ..... 93

**C**

Cleaning ..... 117

After Washing ..... 118

Care of Leather products ..... 121

Care of Matt Paintwork ..... 117

Drying ..... 120

Exhaust System ..... 119

Preparation ..... 117

Protecting ..... 120

Unpainted Aluminum Items ..... 119

Washing ..... 120

Where to be Careful ..... 118

Clutch ..... 89

Adjustment ..... 89

Inspection ..... 89

Considerations for High-Speed

Operation ..... 65

Cooling System ..... 83

Change ..... 85

Coolant Level Inspection ..... 84

Corrosion Inhibitors ..... 83

Level Adjustment ..... 85

**D**

Dimensions ..... 125

Drive Chain ..... 90

Lubrication ..... 90

Movement Adjustment ..... 91

Movement Inspection ..... 91

Wear Inspection ..... 92

**E**

Electrical Equipment ..... 131

Engine

Serial Number ..... 21

Specifications ..... 125

To Start the Engine ..... 58

To Stop the Engine ..... 58

Engine Oil ..... 80

Disposal of Oil and Filters ..... 82

Grade and Specification ..... 83

Oil and Oil Filter Change ..... 81

Oil Level Inspection ..... 80

## Index

---

<b>F</b>			
Fluids and Lubricants .....	132	License Plate Light .....	115
Frame .....	131	Lubrication .....	126
Front Suspension .....	98	<b>M</b>	
Fork Inspection .....	98	Maintenance .....	2
Fuel .....	127	<b>N</b>	
Fuel Requirement .....	46	Noise Control System .....	2
Filling the Fuel Tank .....	48	<b>O</b>	
Fuel Grade .....	46	Off-road Use .....	2
Fuel Tank Cap .....	47	Owner's Handbook .....	3
Fuel System .....	127	<b>P</b>	
Fuse Box .....	110	Parts Identification .....	16
<b>G</b>		Performance .....	126
Gears		<b>R</b>	
Changing Gears .....	60	Rear Seat .....	50
<b>H</b>		Rear Suspension	
Headlights .....	112	Rebound Damping .....	100
Adjustment .....	113	Spring Pre-Load .....	100
Bulb Replacement .....	114	Rear Suspension Adjustment .....	99
<b>I</b>		Rear Suspension Setting Chart -	
Ignition .....	127	Tiger 800 .....	99
Key .....	39	Rear Suspension Setting Chart -	
Switch/Steering Lock .....	40	Tiger 800XC .....	99
Immobiliser and Tire Pressure		Rider's Seat .....	51
Monitoring System .....	3	Right Handlebar Switches .....	42
Instrument Panel		Engine Stop Switch .....	42
Change Units .....	29	Starter Button .....	43
Clock Adjustment .....	28		
Speedometer .....	26		
Tachometer .....	26		
Trip Meter .....	27		
<b>L</b>			
Left Handlebar Switches .....	43		
Headlight Dip Switch .....	43		
Horn Button .....	44		
Pass Button .....	44		
Turn Signal Switch .....	44		

## Index

---

<b>S</b>		<b>T</b>	
Safety .....	<b>6</b>	Talk to Triumph .....	<b>4</b>
Daily Checks .....	<b>56</b>	Throttle Control .....	<b>86</b>
Fuel and Exhaust Fumes .....	<b>7</b>	Tightening Torques .....	<b>132</b>
Handlebars and Footrests .....	<b>12</b>	Tires .....	<b>3, 101</b>
Helmet and Clothing .....	<b>8</b>	Minimum Recommended	
Maintenance/Equipment .....	<b>10</b>	Tread Depth .....	<b>103</b>
Motorcycle .....	<b>6</b>	Tire Inflation Pressures .....	<b>102</b>
Parking .....	<b>9</b>	Tire Replacement .....	<b>104</b>
Parts and Accessories .....	<b>9</b>	Tire Wear .....	<b>103</b>
Riding .....	<b>10</b>	Tool Kit .....	<b>48</b>
Seat Lock .....	<b>50</b>	Transmission .....	<b>128</b>
Stand .....	<b>49</b>	Turn Signal Lights .....	<b>115</b>
Side Stand .....	<b>49</b>		
Steering/Wheel Bearings .....	<b>97</b>	<b>V</b>	
Inspecting .....	<b>97</b>	Vehicle Identification Number .....	<b>21</b>
Storage		<b>W</b>	
Preparation after Storage .....	<b>124</b>	Warning Lights .....	<b>35</b>
Preparation for Storage .....	<b>123</b>	Warnings	
		Warning Label Locations .....	<b>14</b>
		Warning Labels .....	<b>2</b>
		Warnings, Cautions and Notes .....	<b>1</b>
		Weights .....	<b>125</b>
		Windshield Cleaning .....	<b>119</b>

## **Index**

---

This page intentionally left blank